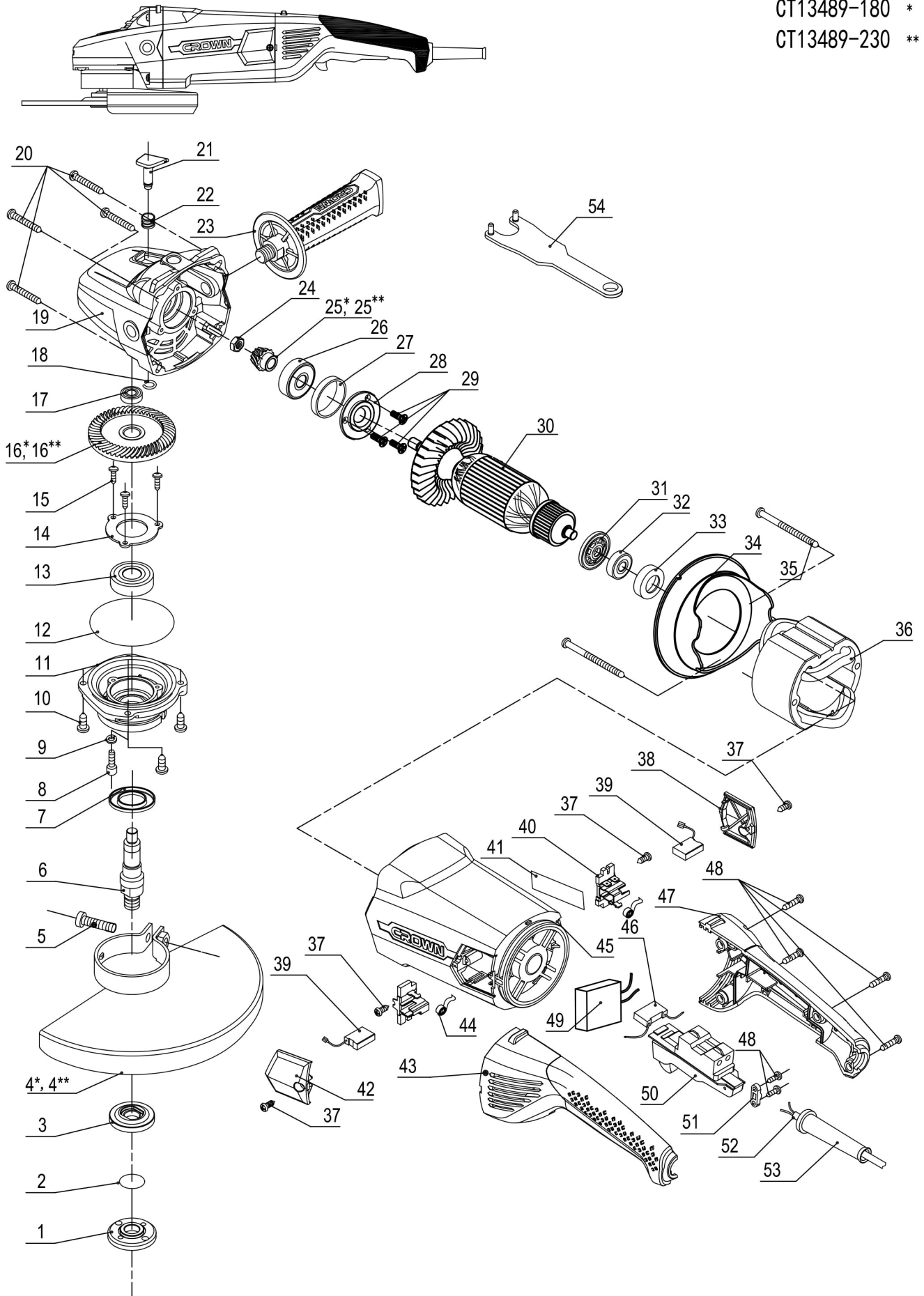


CT13489-180 *

CT13489-230 **



CT13489-230

Pos.No.	Part No.	Description	Qty	Remark
1	32810100601	Outer flange	1	
2	32021000101	O-ring	1	
3	32606200101	Inner flange	1	
4	33524400601	Wheel guard	1	
5	34821700101	Pan head screw\ M8x30	1	
6	33277600101	Spindle	1	
7	33556900101	Dust-cover	1	
8	34737400201	Screw\M5X25	1	
9	34714400401	Spring lock washer	1	
10	34819700101	Pan head screw\M5x16	3	
11	33818000102	Gear box cover	1	
12	32040300101	O-ring	1	
13	35402600701	Ball bearing\6203.2RS	1	
14	33468400101	Washer	1	
15	34819100101	Pan head screw\M4x10	3	
16	33103400101	Gear	1	
17	35400203401	Oil bearing	1	
18	34753400101	Snap ring	1	
19	33817900102	Gear box	1	
20	34731100401	Screw\ST5X40F	4	
21	30229100201	Spindle lock pin	1	
22	35209000101	Spindle lock spring	1	
23	30229500201	Auxiliary handle	1	
24	34819000101	Nut\M10X1	1	
25	33103500101	Pinion	1	
26	35404600201	Ball bearing\6301.2RS	1	
27	32047100101	Bearing rubber ring	1	
28	33556800101	Bearing gland	1	
29	34720200401	Cross recessed countersunk head screws	3	
30	23847400101	Armature	1	
31	30343400101	Dustproof ring	1	
32	35400901701	Ball bearing\PT629RST	1	
33	32047000101	Bearing bush	1	
34	30358800101	Baffle	1	
35	34778000101	Tapping screw\ST5X75	2	
36	23632500101	Stator	1	
37	34727600601	Tapping screw\ST4X12	4	
38	30229400101	Locking cover (right)	1	
39	36214200201	Carbon brush	2	
40	33557500101	Brush holder	2	
41	42162900302	Name plate	1	
42	30229300101	Locking cover (left)	1	
43	30228900101	Handle	1	Pos.43,47 supplied as a set
44	35238400101	Spring	2	
45	30348400101	Housing	1	
46	37400301001	Capacitor	1	
47	30229000101	Handle cover	1	Pos.43,47 supplied as a set
48	34727900501	Tapping screw\ST4X14F	4	

48	34727900501	Tapping screw\ST4X14F	2	Included in Pos.No 51
50	36420900101	Switch	1	
51	22402800101	Cord clamp	1	Including Pos.No 48
52	37100505201	Cord\ 2X1.5mm2	1	
53	32011400101	Cord sleeve	1	
54	33420600101	Spanner	1	