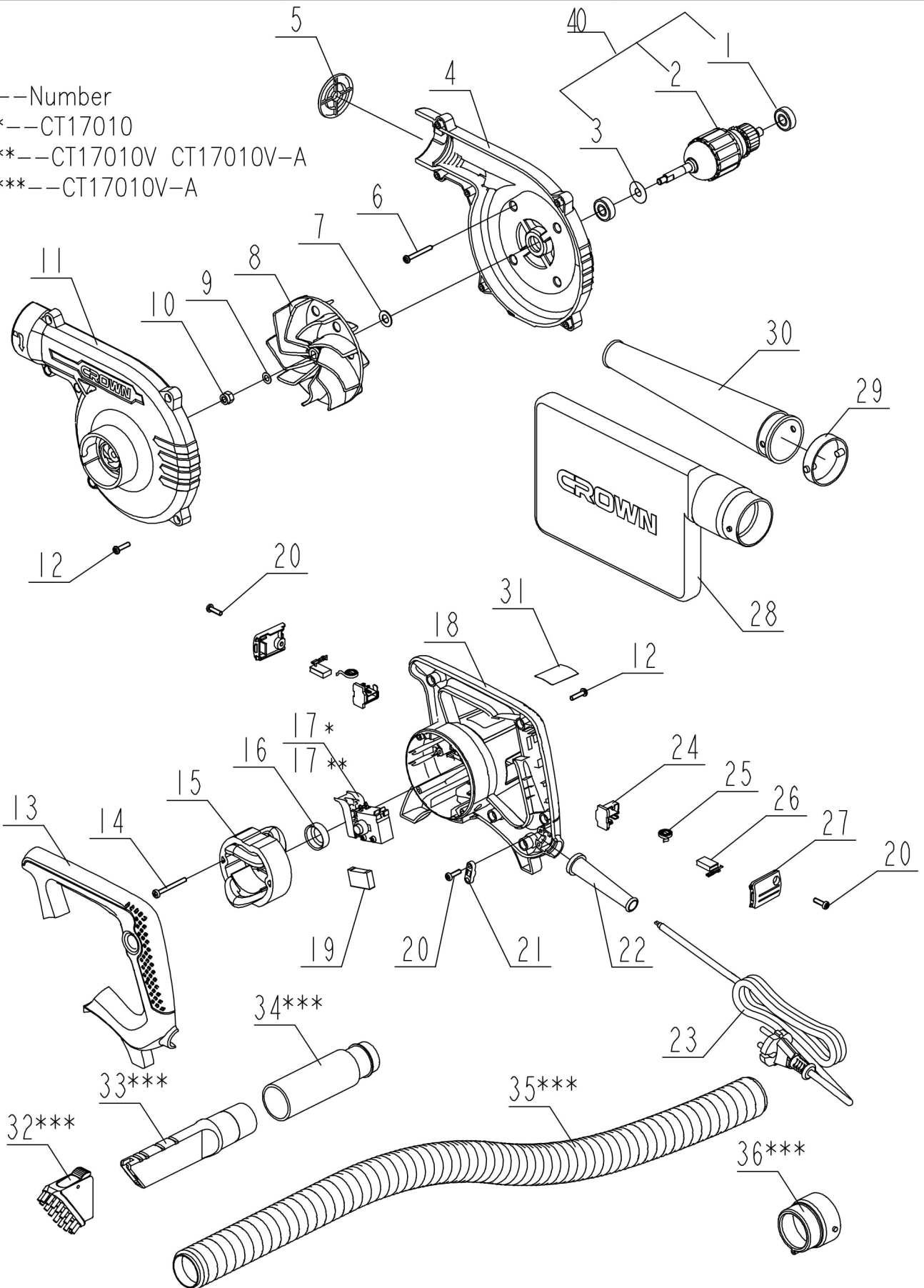


n--Number

n*--CT17010

n**--CT17010V CT17010V-A

n***--CT17010V-A



CT17010V

Pos.No.	Part No.	Description	Qty	Remark
1	35400200701	Ball bearing\608.2RS	2	
2	23851100101	Armature	1	
3	32430800101	Sealing-paper	1	
4	30186300101	Right cover	1	Pos.4,11supplied as a set
5	30186600101	Fence plate	1	
6	34729000401	Tapping screw\ST4x35C	4	
7	34710000101	Washer\ø8.4xø16x1	1	
8	30186400101	Fan	1	
9	34709100101	Washer\ø6xø11x0.5	1	
10	34720900201	Hex. Locknut\M6	1	
11	30186200101	Left cover	1	Pos.4,11supplied as a set
12	34728100601	Tapping screw\ST4x16F	11	
13	30186000101	Handle	1	Pos.13,18supplied as a set
14	34747600101	Tapping screw\ST4x38F	2	
15	23635600401	Stator	1	
16	32012900101	Bearing bush	1	
17	36420200101	Speed-control switch	1	
18	30185900101	Housing	1	Pos.13,18supplied as a set
19	37400300401	Capacitor\0.22uF	1	
20	34727900501	Tapping screw\ST4x14F	2	Included In Pos.21
21	22402800101	Cord clamp	1	Including Pos.20
22	32002300201	Cord sleeve	1	
23	37100106001	Power Cord	1	
24	33558300101	Brush holder	2	
25	35230600101	Spring	2	
26	36215200101	Carbon brush	2	
27	30186100101	Locking cover	2	
28	20048500101	Dust bag assy	1	
29	30187300101	wind pipe ring	1	
30	32017800101	wind pipe	1	
31	42063900201	Rating label	1	
36	30186500101	Bag buckle	1	
40	00081300101	Including Pos.1-3	1	