

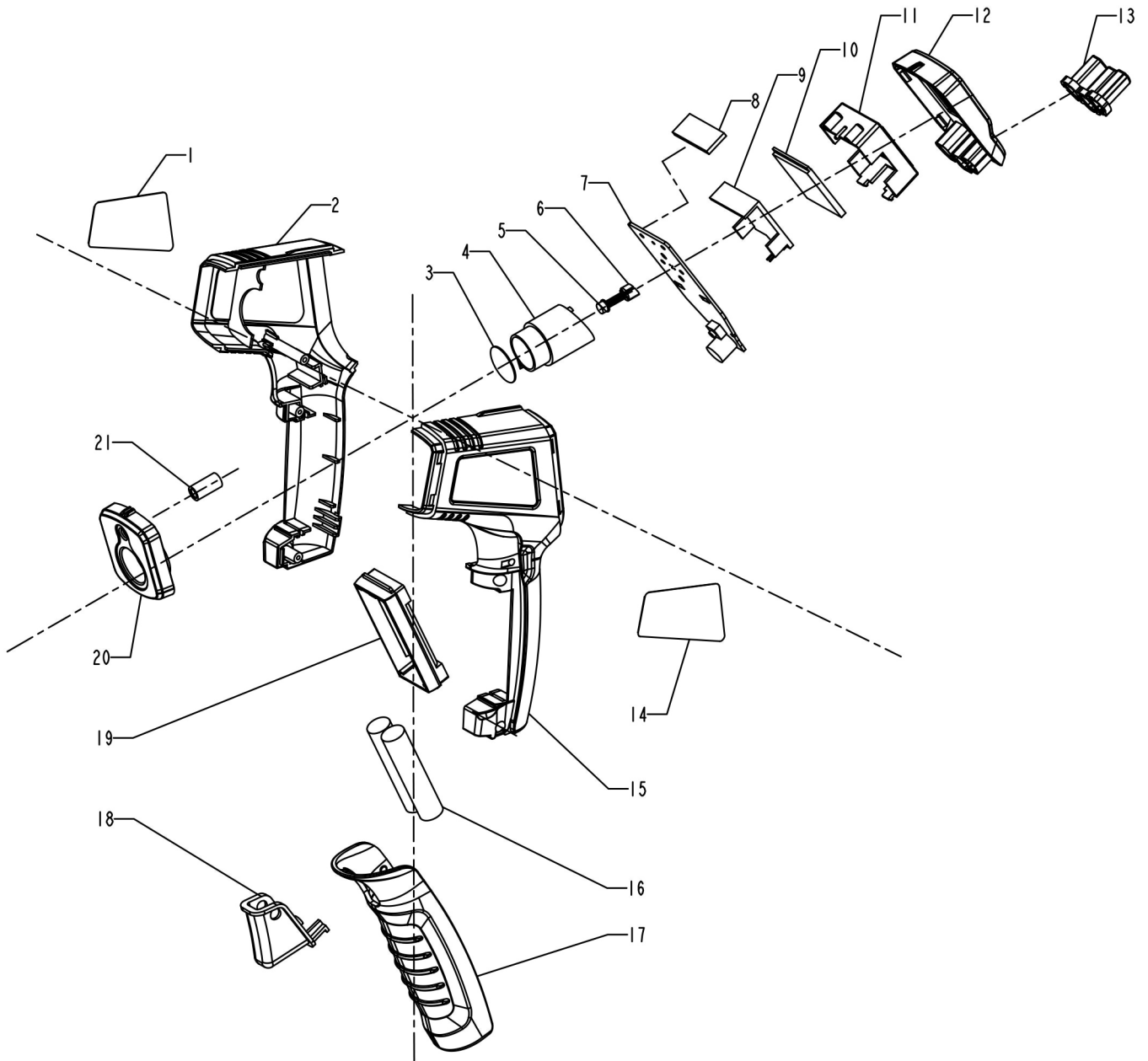
CROWN

Infrared Thermometer

-50~400/600℃

CT44036

VERSION:A DATE:20170920



CT44036

Pos.No.	Part No.	Description	Qty	Remark
1	5004403600101	Right labels	1	
2	5004403600201	Right case	1	
3	5004403600301	Lens	1	
4	5004403600401	Aluminum pipe	1	
5	5004403600501	Infrared sensor	1	
6	5004403600601	Locating support	1	
7	5004403600701	PCB	1	
8	5004403600801	Conducting resin	1	
9	5004403600901	Back light plate	1	
10	5004403601001	Screen	1	
11	5004403601101	Lid of screen	1	
12	5004403600901	Cover of screen	1	
13	5004403600901	Silica gel push button	1	
14	5004403600901	Left labels	1	
15	5004403600901	Left case	1	
16	5004403600901	AAA battery	1	
17	5004403600901	Battery compartment lid	1	
18	5004403600901	Trigger	1	
19	5004403600901	Battery compartment	1	
20	5004403600901	Front case	1	
21	5004403600901	Laser pipe	1	