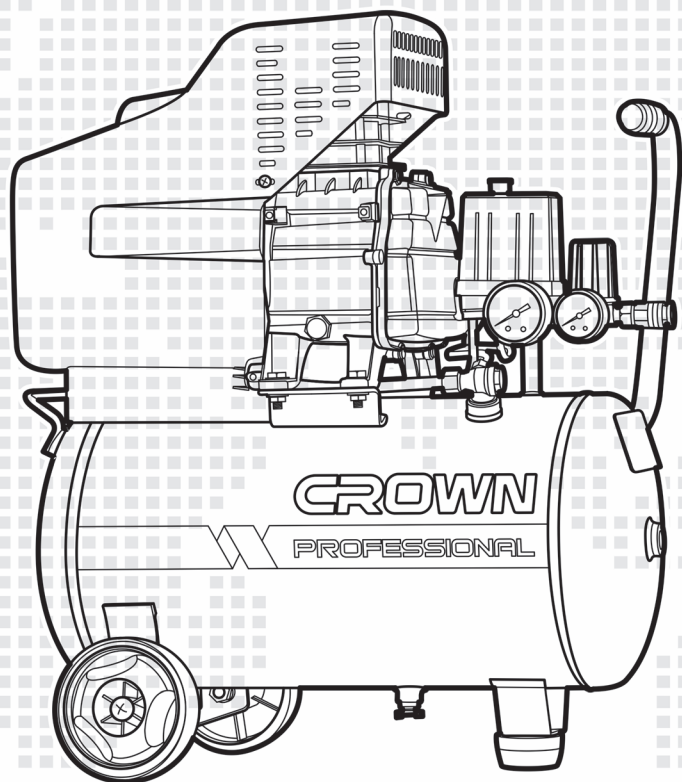


# CROWN

TOOLS FOR A BETTER LIFE

■ CT36046  
■ CT36028  
■ CT36029  
■ CT36047



**en** Original instructions

**fr** Notice originale

**es** Manual original

**pt** Manual original

**tr** Orijinal işletme talimatı

**ru** Оригинальное руководство по эксплуатации

**ua** Оригінальна інструкція з експлуатації

**kz** Пайдалану нұсқаулығының түпнұсқасы

**ar** دليل المستخدم الأصلي

**fa** دفترچه راهنمای اصلی

## English

Explanatory drawings .....	pages 3 - 10
General safety rules, instructions manual .....	pages 11 - 16

## Français

Dessins explicatifs .....	pages 3 - 10
Recommandations générales de sécurité, mode d'emploi .....	pages 17 - 23

## Español

Dibujos explicativos .....	páginas 3 - 10
Recomendaciones generales de seguridad, manual de instrucciones .....	páginas 24 - 30

## Português

Esboços explicativos .....	páginas 3 - 10
Recomendações gerais de segurança, manual de instruções .....	páginas 31 - 37

## Türkçe

Açıklayıcı resimler .....	sayfalar 3 - 10
Genel güvenlik tavsiyeleri, kullanım kılavuzu .....	sayfalar 38 - 43

## Русский

Пояснительные рисунки .....	страницы 3 - 10
Общие указания по ТБ, инструкция по эксплуатации .....	страницы 44 - 50

## Українська

Пояснювальні малюнки .....	сторінки 3 - 10
Загальні вказівки по ТБ, інструкція з експлуатації .....	сторінки 51 - 57

## Қазақ тілі

Түсіндіргіш әлеміштер .....	беттер 3 - 10
Жалпы қауіпсіздік жөніндегі ұсыныстар, пайдалану нұсқаулығы .....	беттер 58 - 64

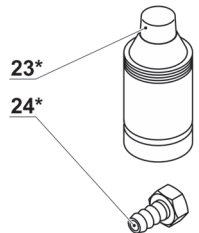
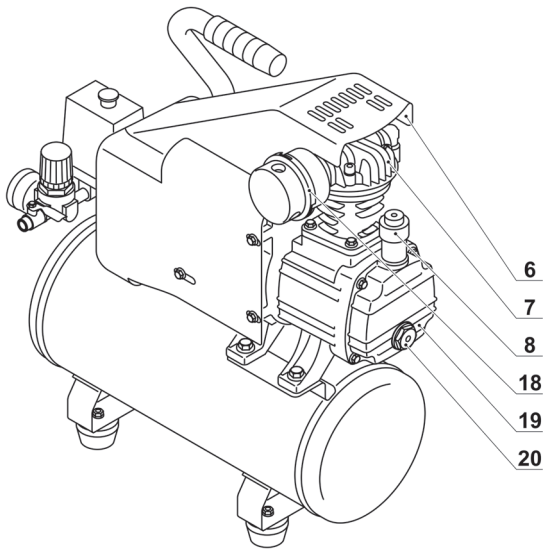
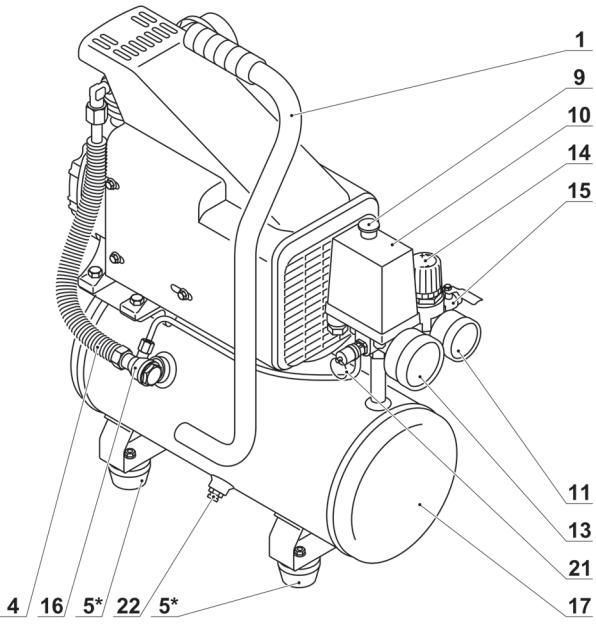
## العربية

رسوم توضيحية .....	الصفحات 3 - 10
قواعد السلامة العامة، دليل التعليمات .....	الصفحات 65 - 70

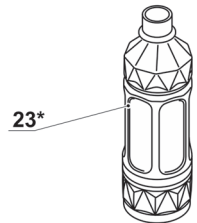
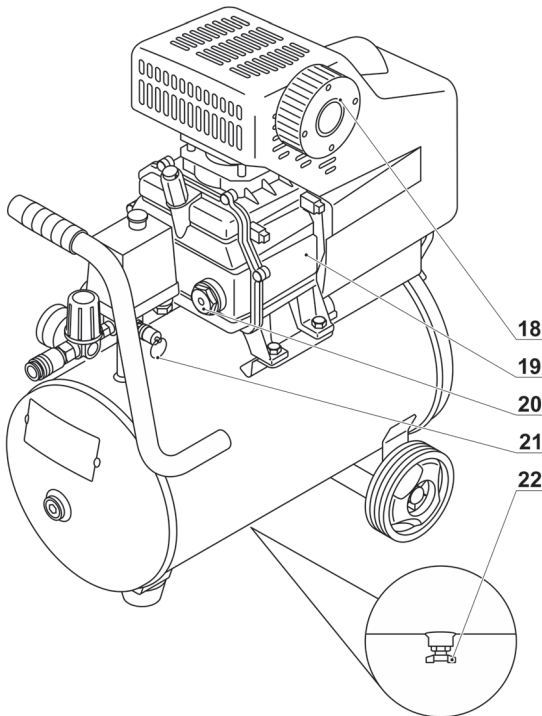
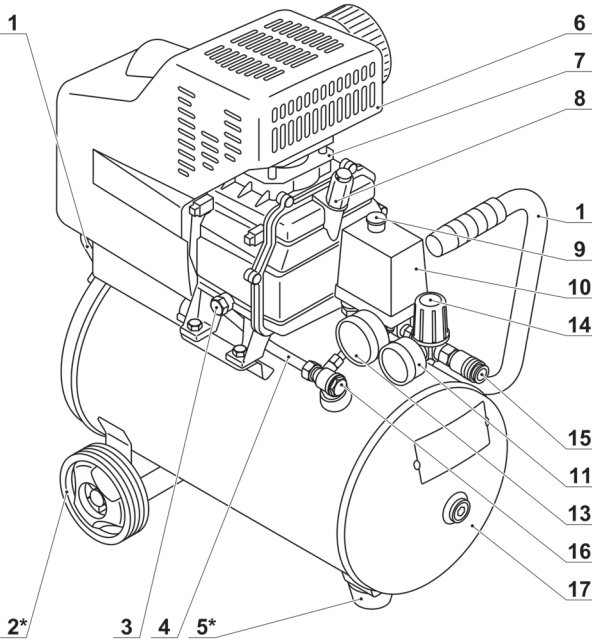
## فارسی

اشکال توضیحی .....	صفحه های 3 - 10
قوانین ایمنی کلی، دفترچه دستور العمل ها .....	صفحه های 71 - 76



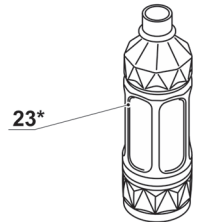
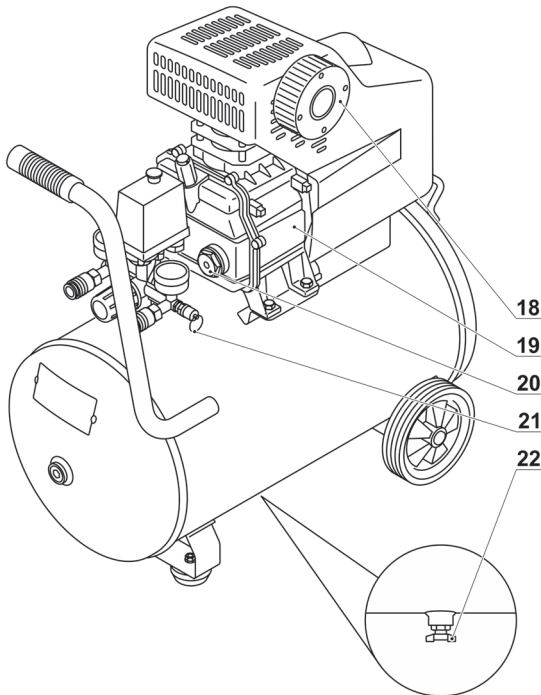
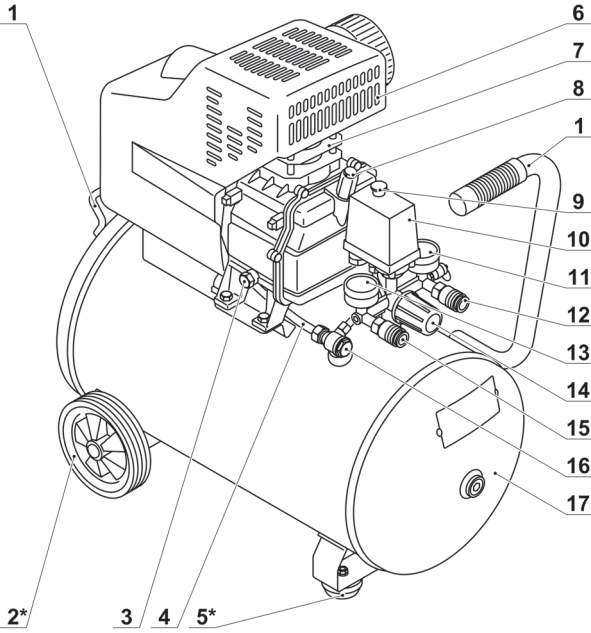


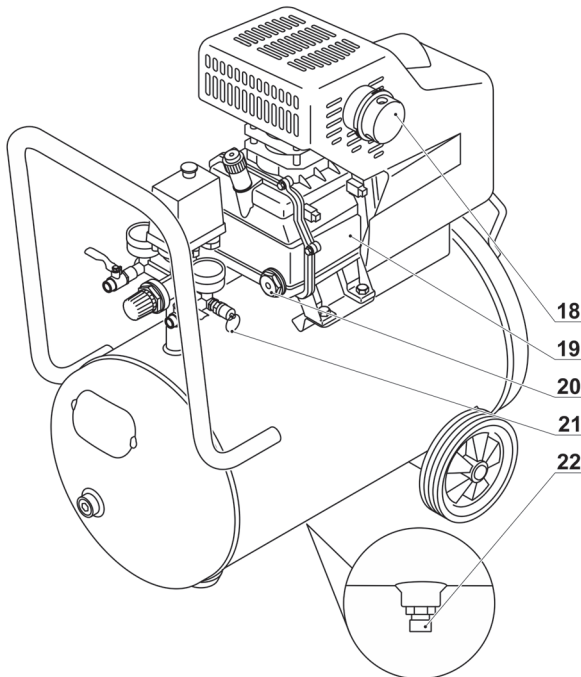
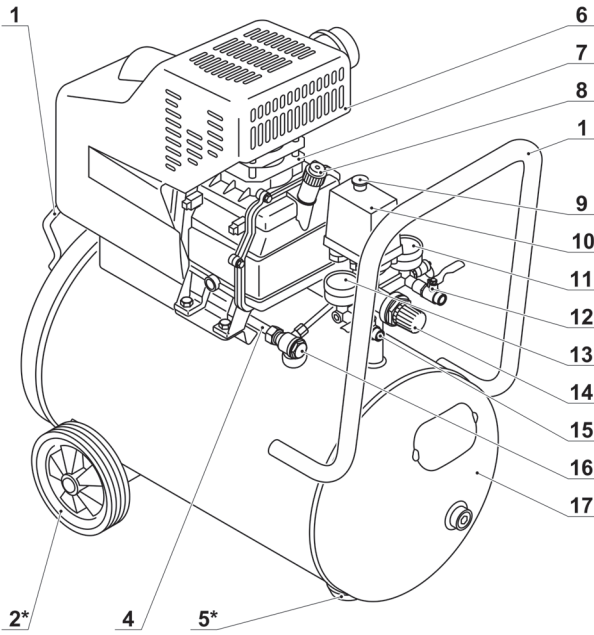
CT36028



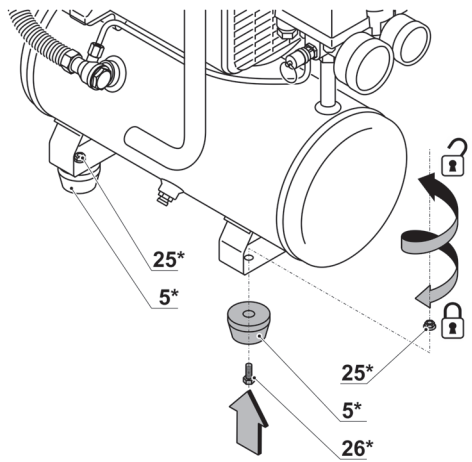


CT36029

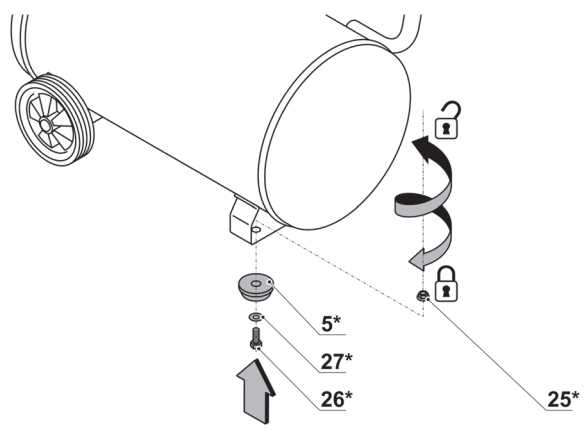




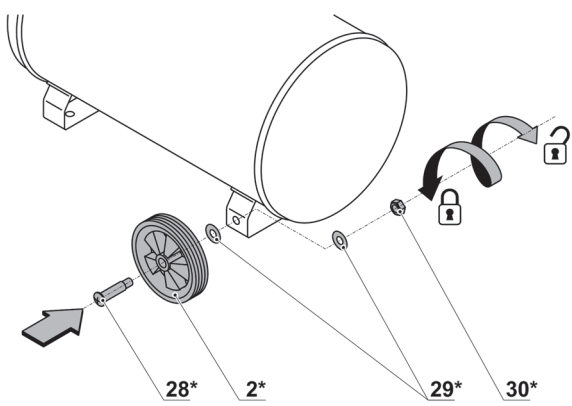
CT36046



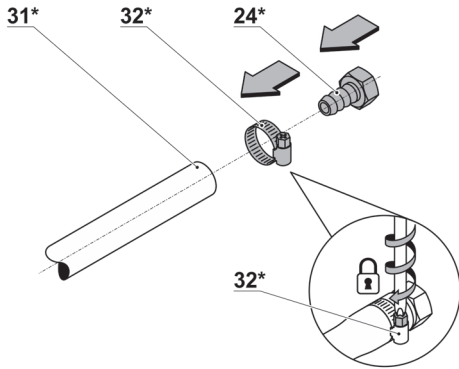
CT36028 / CT36029 / CT36047



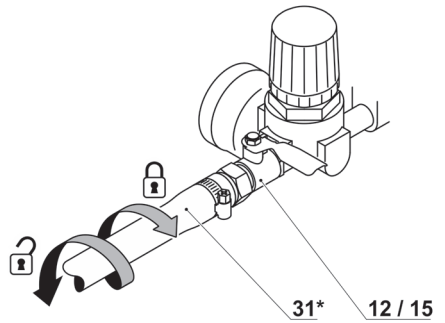
CT36028 / CT36029 / CT36047



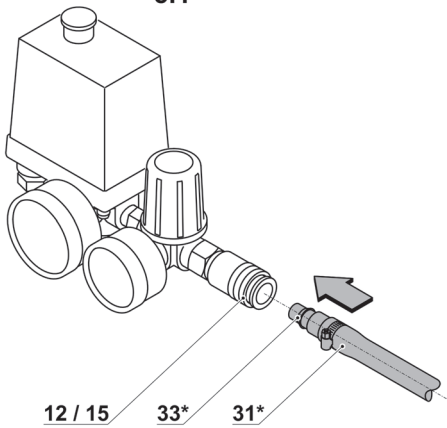
4.1



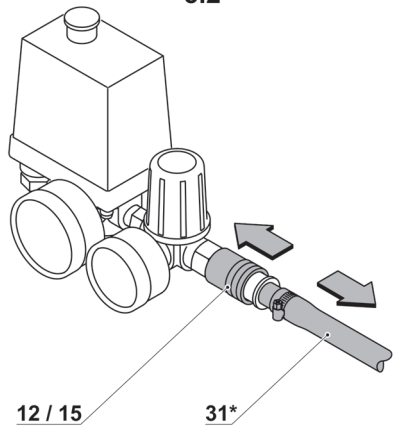
4.2



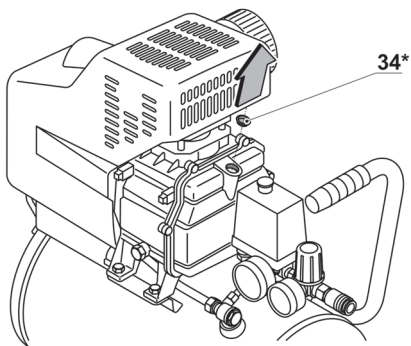
5.1



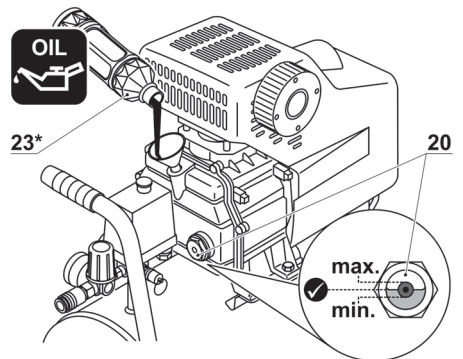
5.2

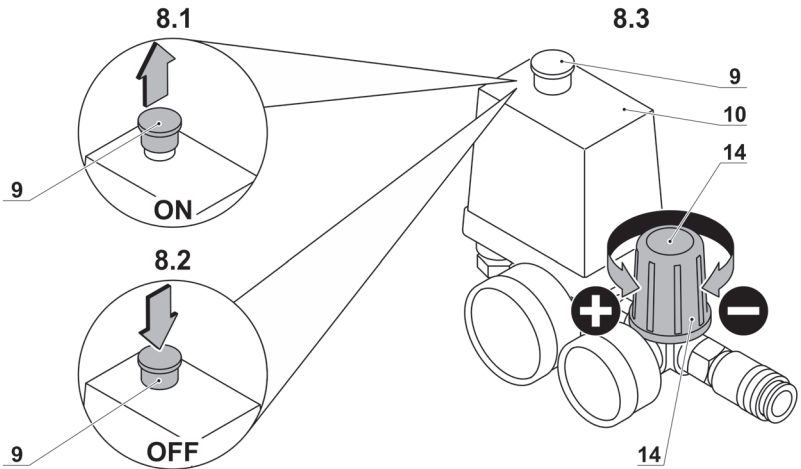
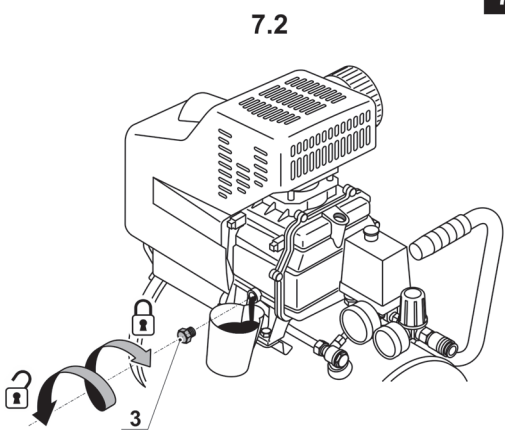
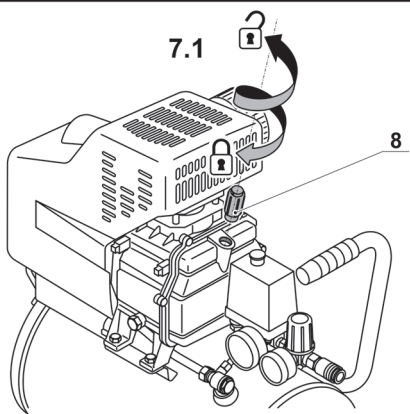


6.1

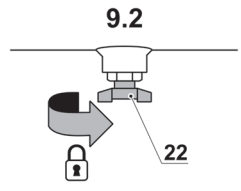
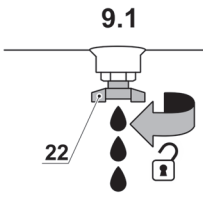
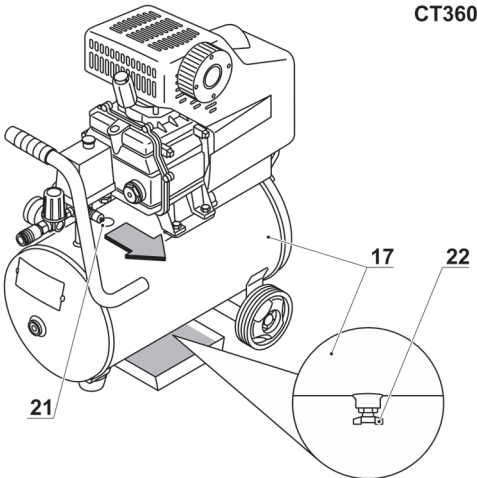


6.2



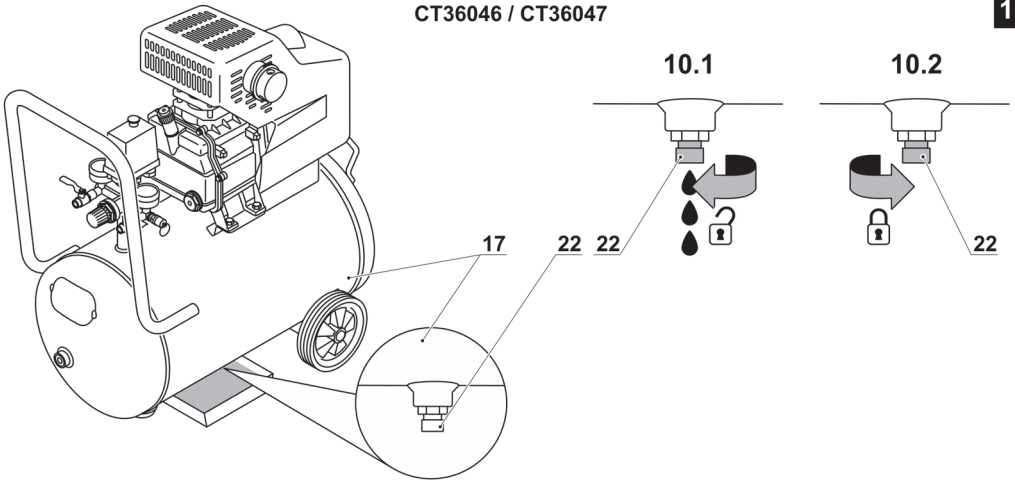


CT36028 / CT36029



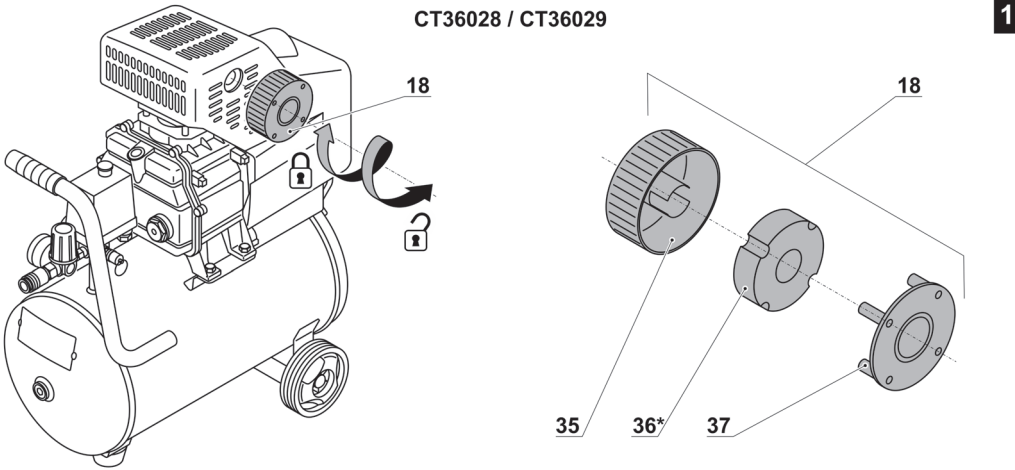
CT36046 / CT36047

10



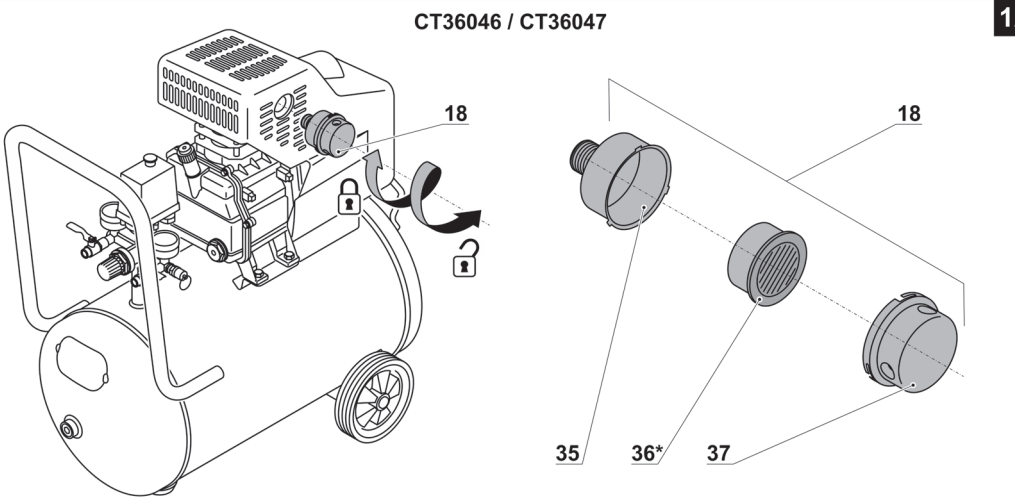
CT36028 / CT36029

11



CT36046 / CT36047

12



## Appliance specification

Air compressor		CT36046	CT36028	CT36029	CT36047
Appliance code	[220-230 V ~50/60 Hz]	421463	421449	421456	421470
Rated power	[W]	750	1500	1500	1500
	[HP]	1	2	2	2
Amperage at voltage	220-230 V [A]	6	8	8	8
Rated speed	[min <sup>-1</sup> ]	2800	2800	2800	2800
Air receiver capacity	[l]	9	25	50	50
Productivity	[l/min]	80	135	135	110
Operating pressure	[MPa]	0,8	0,8	0,8	0,8
	[bar]	8	8	8	8
Weight	[kg]	13,8	22	28	27,9
	[lb]	30.42	48.5	61.73	61.51
Safety class		I	I	I	I
Sound pressure	[dB(A)]	—	—	—	—
Acoustic power	[dB(A)]	—	—	—	—
Weighted vibration	[m/s <sup>2</sup> ]	—	—	—	—

## Noise information



Always wear ear protection if the sound pressure exceed 85 dB(A).

Besides safety precautions contained herein, observe general legal safety regulations and accident prevention guidelines.

Caution plates and type plates on the appliance contain important information, which is necessary for safe operation.

## CE Declaration of conformity

We declare under our sole responsibility that the product described under "Appliance specifications" is in conformity with all relevant provisions of the directives 2006/42/EC including their amendments and complies with the following standards: EN1012-1:2010.

Certification manager

Wu Cunzhen

Merit Link International AG  
Stabio, Switzerland, 20.01.2018

## Electrical safety recommendations

- Electrical connections shall only be performed by a qualified electrician according to the requirements of IEC 60364-1.
- If the power cable plug does not match the socket used, the service technician shall cut such plug off and replace it with an appropriate one. If the original plug has a built-in protection device, the replacement plug shall have a protection device with the same characteristics. The cut off plug shall be disposed to avoid electric shock and shall not be connected to any sockets.
- It is recommended to only connect the appliance to a socket equipped with a 30 mA circuit breaker.
- The device shall only be connected to AC mains. The voltage shall match the data on the type plate.
- Do not touch the plug or the socket with wet hands.
- Check the power cable and the plug for damage before operation. Do not operate the appliance in case of a damaged plug or a power cable. Contact our customer service or a skilled electrician.
- If an extension cord is used, its power plug, socket, and power cable shall be totally enclosed, splash-proof, and suitable for outdoor use.
- Make sure that the power cable and the extension cords are not damaged by tripping-over, crushing,



**ATTENTION!** Read these instructions carefully before using the appliance for the first time and follow all rules and recommendation specified herein.

Keep the original instructions for future reference or for a future owner.



stretching, etc. Protect power cables from heat, oil products, and damages from sharp edges.

- When performing any service or maintenance, switch the appliance off and disconnect the power plug from the socket.
- Always switch off the mains disconnecting switch when leaving the appliance unattended.
- Unsuitable extension cords may be dangerous. Only approved for use and appropriately marked extension cords with a sufficient wire cross-section may be used outdoors:
  - cable length: 1-10 m, cross-section: 1,5 mm<sup>2</sup>;
  - cable length: 10-30 m, cross-section: 2,5 mm<sup>2</sup>;
  - cable length: 30-50 m, cross-section: 4 mm<sup>2</sup>.
- Always reel out the cable completely to avoid a fire outbreak resulting from cable overheating.

### Safe operation instructions

- Only use the appliance as intended. When operating the appliance, follow local regulations with due account for other people nearby.
- Appliance operation by children is strictly prohibited. Do not allow children to play with the appliance.
- The appliance can only be used by persons who underwent relevant operation training.
- Appliance operation by persons (including children) with limited physical, sensitive, or mental capacities is strictly prohibited, unless they are supervised or instructed on appliance operation by the person(s) responsible for their safety.
- Stay focused and deliberate over each action when operating the appliance. Do not use the appliance if you feel tired or when being under the effect of drugs, alcohol, or medicines. Loss of attention during the operation may cause serious injuries.
- Do not operate the appliance during thunderstorm or heavy rain, especially in case of lightning strikes.
- Only use the appliance in vertical position, do not cover it during the operation to ensure sufficient ventilation and avoid overheating.
- Ensure stability of the appliance before performing any operations in order to prevent accidents or damage from tipping over. It is strictly forbidden to use the appliance at height, for example, by installing it on a scaffold or a stepladder, or by hanging it.
- Be careful when using the appliance. Never point a jet of compressed air at people or animals. Use personal protective equipment (goggles, respirator, gloves, etc.).
- Do not use compressed air to clean clothes. Do not inhale compressed air.
- Do not modify the design in a way in which the maximum permissible pressure may be exceeded. Do not exceed the maximum operating pressure.
- Never exceed the maximum permissible pressure for the equipment that will be connected to the appliance.
- Do not use the appliance at temperatures below 5°C
- Move the appliance using only transport handles. Never use an air hose to move the appliance.
- Do not transport or move the appliance without relieving pressure from the receiver.
- Be careful when operating the appliance, since some of its parts can get very hot.
- Do not use flammable or corrosive substances to clean the appliance.
- Keep an eye on the receiver status; if the receiver becomes damaged or any air leak is detected,

immediately turn off the appliance and relieve air pressure in the receiver.

- It is strictly forbidden to use the appliance with a damaged receiver. Repair and further use of the receiver are not allowed - a damaged receiver must be replaced.
- Prior to maintenance or repair, make sure that the appliance is disconnected from the power source.
- After each use, it is necessary to relieve air pressure in the receiver and drain the condensate from it.
- Do not operate the appliance with damaged or dismantled protective devices. Never use the appliance that is not properly equipped or was subjected to unauthorized modifications.
- The appliance operation assumes its continuous work without being attended by the user, so make sure that the appliance is installed away from flammable substances and no external factors prevent its normal cooling (the minimum distance from any objects or walls to the appliance is 50 cm).
- It is forbidden to use the appliance in places with a dusty atmosphere, as well as with an atmosphere containing explosive gases and vapors of aggressive substances.
- The appliance is designed only for air compression, do not use it for other purposes.
- Do not use the compressed air produced by the appliance for medical or pharmaceutical purposes.
- These appliances are not suitable for filling diving cylinders.
- Do not touch the operating appliance with wet hands.
- The use of the appliance for various purposes (inflation, powering pneumatic tools and appliances using compressed air energy, coloring, washing, etc.) assumes that the user is aware of safety rules for each specific case.
- After the operation is finished, wait until the appliance cools down, and only after that it can be covered or a protective cover can be put on it.

### Other hazards

- Do not use the appliance in an explosive atmosphere, for example, in the presence of vapors of flammable liquids or gases, particles of combustible substances in the form of dust.
- Do not point the jet of compressed air at the surfaces containing substances that are harmful to health (for example, asbestos).
- Consider the appliance weight when choosing location for its storage and transportation (see the "Appliance specification" table) to avoid accidents or injuries.

### Appliance maintenance

- Maintenance of your appliance must be performed by qualified personnel using the recommended spare parts. This ensures that the safety of your appliance will be preserved.
- Follow the lubrication instructions and recommendations for replacing accessories.

### Residual risks

- Even if you use the appliance in accordance with all safety requirements, potential risks of injury and damage still remain. Due to specific features of the appliance design, the following hazards may occur:








- the risk of injury and material damage from objects thrown out by compressed air;
- injuries or physical damage due to faulty accessories or a sudden impact against hidden objects during operation.

## Symbols used in the manual

Following symbols are used in the operation manual, please remember their meanings. Correct interpretation of the symbols will allow correct and safe use of the appliance.

Symbol	Meaning
	<b>Serial number sticker:</b> CT ... - model; XX - date of manufacture; XXXXXXX - serial number.
	Read all safety regulations and instructions.
	Wear safety goggles.
	Wear ear protectors.
	Wear a dust mask.
	Disconnect the appliance from the mains before installation or adjustment.
	Do not work in rain or snow.
	Movement direction.
	Rotation direction.
	Locked.

Symbol	Meaning
	Unlocked.
I	Protection class.
	A sign certifying that the product complies with essential requirements of the EU directives and harmonized EU standards.
	Attention. Important.
	Useful information.
	Do not dispose of the appliance in a domestic waste container.

## Appliance designation

The compressor is designed to provide various pneumatic tools, devices and appliances with compressed air. Using the compressor allows you to save electrical power, mechanize work, and increase the speed of work performance. Various pneumatic tools significantly expand the scope of the compressor application, which makes it possible to perform such works as drilling, chiselling, pumping, painting, and washing which involves spraying detergents, etc.

## Appliance components

- 1 Transportation handle
- 2 Wheel \*
- 3 Oil drain plug
- 4 Piping
- 5 Rubber mount \*
- 6 Case
- 7 Cylinder
- 8 Valve plug
- 9 On / off switch
- 10 Pressure relay (pressostat)
- 11 Receiver manometer
- 12 Outlet fitting (unregulated pressure)
- 13 Manometer of regulated pressure
- 14 Pressure regulator
- 15 Outlet fitting (regulated pressure)
- 16 Check valve
- 17 Receiver
- 18 Air filter (assembly)
- 19 Crankcase
- 20 Viewport for oil level monitoring

- 21 Safety valve
- 22 Drain valve
- 23 Oil bottle \*
- 24 Fitting \*
- 25 Nut for installing rubber mount \*
- 26 Bolt for installing rubber mount \*
- 27 Washer for installing rubber mount \*
- 28 Wheel installing stud \*
- 29 Wheel installing washer \*
- 30 Wheel installing nut \*
- 31 Hose \*
- 32 Hose clamp \*
- 33 Quick-change fitting \*
- 34 Plug \*
- 35 Air filter housing
- 36 Filter element \*
- 37 Air filter cover

\* Optional extra

**Not all of the accessories illustrated or described are included as standard delivery.**

## Installation and regulation of appliance elements

**Before any procedures, be sure to switch off the appliance, remove the current-carrying cable from the socket and discharge pressure in receiver 17 (pulling by the ring of safety valve 21).**



**Do not draw up the fastening elements too tight to avoid damaging the thread.**



**Mounting / dismantling / setting-up of some elements is the same for all appliance models, in this case specific models are not indicated in the illustration.**

### Rubber mounts assembly / disassembly (see fig. 1-2)

- Install the rubber mounts **5** as shown in fig. 1-2.
- Disassemble in the reverse sequence.

### Wheels assembly / disassembly (see fig. 3)

[CT36028, CT36029, CT36047]

- Install wheels **2** as shown in fig. 3.
- Disassemble in the reverse sequence.

### Connecting / disconnecting the air hose (see fig. 4-5)

[CT36046, CT36047]

- Attach hose clamp **32** to the end of hose **31** (see fig. 4.1).
- Install fitting **24**.
- Tighten the screw of hose clamp **32**.
- When connecting, screw fitting **24** on outlet fitting **12** or **15** (see fig. 4.2).
- When disconnecting unscrew fitting **24**.

[CT36028, CT36029]

- When connecting, insert (until it clicks) quick-change fitting **33** into outlet fitting **12** or **15** (see fig. 5.1).

- When disconnecting, move the bush of the quick-change connection, as shown in fig. 5.2, and remove quick-change fitting **33**.

## Initial operating of the appliance

### Oil filling (see fig. 6-7)



**Attention: The manufacturer of the appliance does not fill crankcase 19 with oil in order to comply with the technical conditions for transportation. Therefore, before using it is required to fill the appliance with oil of the recommended brand. Operation of the appliance without oil in crankcase 19 or at the oil level less than minimum will result in the appliance damage; in this case you will lose the right to the warranty repair service.**

- Place the appliance on a flat horizontal surface.
- Clean an area around the oil hole with a cloth and remove the plug **34** (see fig. 6.1).
- Carefully pour oil into crankcase **19** (it is recommended to use a funnel). The oil level is the upper limit of the red point on viewport **20** (see fig. 6.2). Wait for 5 minutes and then check the oil level again, top up to the maximum level mark, if necessary. **Attention: do not exceed the maximum level mark.**
- Install plug **8** as shown in figure 7.1. **Attention: plug 8 has a special valve that prevents from pressure increase inside crankcase 19. It is strictly forbidden to replace plug 8 with plug 34 or other objects.**
- To ensure even distribution of oil in crankcase **19** at the first start-up and after a long idle time, it is recommended to let the appliance run without a load for 5 minutes. To do this, unscrew drain valve **22** (as when draining condensate, see the description below), also pull by the ring of safety valve **21** and hold it, then switch on the appliance.



For refilling use the oil supplied with the appliance. You can also use engine oil - SAE30 (if the appliance is used at the temperature above 10°C) or SAE10 (if the appliance is used at temperatures below 10°C). Do not mix oils of different grades.

### Before operating the appliance

- Make sure the voltage matches technical specifications printed on the appliance.
- Check power cable and extension cord condition; if any damage is detected, the cable shall be replaced.
- Check the condition of the air hose; if damaged, replace it.

## Switching the appliance on / off

**Before connecting the appliance to the mains, make sure that on / off switch 9 is in the down position (Off).**

### Switching on:

Move on / off switch **9** upwards (see fig. 8.1).

### Switching off:

Move on / off switch **9** downwards (see fig. 8.2).

## Design features of the appliance

### Automatic switching on / off

After switching on, the appliance operates in a cyclic mode: pressure relay **10** maintains the constant pressure value in receiver **17**, switching on / off the appliance depending on the consumption of compressed air by connected pneumatic tools. When the appliance is being switched on, the air is sucked through air filter **18** and injected into receiver **17** through piping **4**. When the maximum pressure value (the value of this parameter is set at the factory) is reached, pressure relay **10** is activated and the electric motor is switched off. Excess air from piping **4** and cylinder **7** is discharged through the valve. Thus, there is no excess pressure in cylinder **7** and piping **4** - this reduces the load on the electric motor the next time when the appliance is started. If pressure inside receiver **17** drops to the minimum value, the electric motor starts up and the appliance starts pumping air into receiver **17** until it reaches the maximum value. The appliance operates in this mode as long as on / off switch **9** is in the up position ("On").

If the appliance does not switch off automatically when the maximum pressure is reached, then the excess pressure is discharged through safety valve **21**. In this case it is necessary to immediately contact a dedicated **CROWN** repair workshop.

### Temperature protection

Temperature protection prevents from damage to the appliance, switching it off during excessive loads and overheating. For example, when using pneumatic tools whose air consumption exceeds the appliance capacity, or when filter element **36** is clogged, etc. This protects the electric motor against overload. When temperature protection is activated, unplug the appliance from the mains, eliminate the cause that triggered the protection, allow the appliance to cool down, and then continue working.

### Pressure adjustment (see fig. 8)

Pressure regulator **14** allows you to adjust pressure of compressed air in outlet fitting **15**, as may be required.

- Manometer **13** shows the set pressure value.
- To increase the pressure, rotate the handle of pressure regulator **14** counterclockwise (see fig. 8).
- To reduce pressure, rotate the handle of pressure regulator **14** clockwise.



**Attention: the appliance design allows for adjustment of the compressed air pressure only at outlet fitting 15. The pressure at outlet fitting 12 is equal to the pressure inside receiver 17 (the pressure value inside receiver 17 is shown by manometer 11).**

## Recommendations on the appliance operation

### Before starting work

- Place the appliance on a flat horizontal surface (permissible slope is less than 15°); this will ensure proper lubrication of the parts.
- Connect pneumatic tools to the appliance.
- Connect the appliance to the mains.
- For models **CT36046** and **CT36047** - open the valve on outlet fitting **12** or **15** (depending on which of them the pneumatic tool is connected).
- When carrying out works related to spraying liquids, make sure that no drops of liquid get on the appliance.
- If you need to move the appliance during operation, disconnect it from the mains and depressurize receiver **17**, and then transport.
- If case of any side sounds or strong vibrations on the part of the appliance, immediately switch it off and contact the **CROWN** service center.

### General recommendations

- Switch on the appliance.
- Using pressure regulator **14** set the pressure required for operation.
- Do not overload the appliance. The operating mode of the appliance is intermittent with the cyclic duration factor of up to 55%, while the duration of a cycle is 6-10 minutes. It is allowed to operate the device continuously for 15 minutes, but not more often than once within 1.5 hours.
- When using the appliance, monitor the oil level in crankcase **19**; add oil if necessary.

### After completing the operation

- Switch off the appliance.
- Disconnect the appliance from the mains.
- Pulling by the ring of safety valve **21**, depressurize receiver **17**.
- Drain the condensate from receiver **17**, as described below.

## Appliance maintenance / preventive measures

**Before any procedures, be sure to switch off the appliance, remove the current-carrying cable from the socket and discharge pressure in receiver 17 (pulling by the ring of safety valve 21).**

### Cleaning the appliance

It is required to periodically clean the outer surface of the appliance with a soft brush and a cloth, and blow the parts of the appliance with compressed air. Do not use caustic substances or solvents to clean the appliance.

### Changing the oil (see fig. 6-7)

After the first 30 hours of the appliance operation (and then after every 150 hours of operation), it is required to change the oil. If the compressor is not used for more

than 12 months, it is also recommended to change the oil before operation.



**Attention: If the oil changed its color (it became light - water entered it, or it became dark - it got overheated) or there are foreign impurities in it, you must immediately change it.**

- Place the appliance on a flat horizontal surface.
- Under the drain hole, place a container, into which the used oil will drain (see fig. 7.2).
- Using a cloth, clean the area around plug **8** and unscrew it (see fig. 7.1).
- Using a cloth, clean the area around plug **3** and unscrew it, and wait until the used oil stops flowing out of the drain hole. Screw in plug **3** (see fig. 7.2).
- Carefully pour the oil into crankcase **19** (it is recommended to use a funnel). The oil level is the upper limit of the red point on viewport **20** (see fig. 6.2). **Attention: do not exceed the maximum level mark.**
- Screw in plug **8** (see fig. 7.1).

### Draining condensate (see fig. 9-10)

After each using or after working day, always drain the condensate from receiver **17**. This prevents from corrosion inside receiver **17**.

- Place the appliance on a flat horizontal surface.
- Place a container under drain valve **22**, where the condensate will drain.
- Unscrew drain valve **22** and wait until the condensate has drained completely (water will stop dripping from valve **22**) (see fig. 9-10).
- Screw in drain valve **22**.

### Cleaning air filter (see fig. 11-12)

Regularly inspect filter element **36** of air filter **18** (its contamination depends on the state of the environment). Clean (or replace) the filter element as it gets dirty, but at least after 100 hours of using the appliance. A polluted air filter reduces efficiency factor and contributes to a greater depreciation of the appliance.

- Place the appliance on a flat horizontal surface.
- Unscrew air filter **18** (see fig. 11-12).
- Remove cover **37** from housing **35**.
- Remove filter element **36**.
- For models **CT36028**, **CT36029**: wash filter element **36** with water and soap, and dry it thoroughly. **Attention: Do not use gasoline, solvents or corrosive substances to flush the filter element.**
- For models **CT36046**, **CT36047**: blow filter element **36** with compressed air.

- If the impurities of filter element **36** are too heavy and cannot be cleaned, replace it. It is strictly forbidden to use the appliance without an air filter.
- Assemble air filter **18** and install it back.

### Checking the receiver status

Regularly inspect receiver **17** for signs of damage or corrosion. If receiver **17** is damaged, it is forbidden to perform independent repairs (mechanical, or by welding). Damaged receiver **17** must be completely replaced at the dedicated **CROWN** repair workshop.

### After-sales service and application service

Our after-sales service responds to your questions concerning maintenance and repair of your product as well as spare parts. Information about service centers, parts diagrams and information about spare parts can also be found under: [www.crown-tools.com](http://www.crown-tools.com).

### Transportation of the appliances

- Only move the appliance by handle **1** or by picking it up and supporting from the bottom. Do not move the appliance by other parts (by pulling the hoses or power cable, etc.).
- Do not transport or move the appliance without relieving pressure from the receiver **17**.
- Categorically not to drop any mechanical impact on the packaging during transport.
- When unloading / loading is not allowed to use any kind of technology that works on the principle of clamping packaging.

### Environmental protection



**Attention: Do not dispose of the used oil, as well as condensate from receiver **17**, on the soil, into the ground, water bodies or wastewater sewerage. The used oil must be collected in a sealed container and transferred to a process waste collection point for further disposal.**



**Recycle raw materials instead of disposing as waste.**

Appliance, accessories and packaging should be sorted for environment-friendly recycling.

The plastic components are labelled for categorized recycling.

These instructions are printed on recycled paper manufactured without chlorine.

The manufacturer reserves the possibility to introduce changes.

English

## Caractéristiques de la machine

Compresseur d'air		CT36046	CT36028	CT36029	CT36047
Code machine	[220-230 V ~50/60 Hz]	421463	421449	421456	421470
Puissance absorbée	[W] [HP]	750 1	1500 2	1500 2	1500 2
Ampérage tension	220-230 V [A]	6	8	8	8
Vitesse nominale	[min <sup>-1</sup> ]	2800	2800	2800	2800
Capacité du récepteur d'air	[l]	9	25	50	50
Productivité	[l/min]	80	135	135	110
Pression de travail	[MPa] [bar]	0,8 8	0,8 8	0,8 8	0,8 8
Poids	[kg] [lb]	13,8 30.42	22 48.5	28 61.73	27,9 61.51
Classe de protection		I	I	I	I
Pression acoustique	[dB(A)]	—	—	—	—
Puissance acoustique	[dB(A)]	—	—	—	—
Vibration	[m/s <sup>2</sup> ]	—	—	—	—

## Bruit d'information



Portez toujours des protections pour les oreilles (casque) lorsque le niveau de pression acoustique est supérieur à 85 dB(A).

Outre les précautions de sécurité contenues dans ce manuel, respecter les règles générales de sécurité et les directives de prévention des accidents.

Les plaques de mise en garde et les plaques signalétiques sur l'appareil contiennent des informations importantes nécessaires pour un fonctionnement sûr.

## CE Déclaration de conformité

Nous déclarons sous notre seule responsabilité que le produit décrit sous " Caractéristiques de l'appareil " est conforme à toutes les dispositions pertinentes des directives 2006/42/EC, y compris leurs amendements et respecte les normes suivantes : EN1012-1:2010.

Gestionnaire de certification

Wu Cunzhen

Merit Link International AG  
Stabio, Suisse, 20.01.2018

## Recommandations relatives à la sécurité électrique

- Les branchements électriques ne doivent être effectués que par un électricien qualifié conformément aux exigences de la norme IEC 60364-1.
- Si la fiche du cordon d'alimentation ne correspond pas à la prise utilisée, le technicien d'entretien doit couper cette fiche et la remplacer par une fiche appropriée. Si la fiche d'origine comporte un dispositif de protection intégré, la fiche de remplacement doit comporter un dispositif de protection présentant les mêmes caractéristiques. La fiche coupée doit être disposée de manière à éviter tout choc électrique et ne doit pas être raccordée à des prises.
- Il est conseillé de ne brancher l'appareil qu'à une prise équipée d'un disjoncteur de 30 mA.
- L'appareil doit uniquement être branché au secteur. La tension doit correspondre aux données figurant sur la plaque signalétique.
- Ne pas toucher la fiche ou la prise avec des mains mouillées.
- Vérifier tout dommage sur le câble d'alimentation et la fiche avant la mise en marche. Ne pas utiliser la machine en cas de fiche ou de câble d'alimentation endommagé. Contacter notre service clientèle ou un électricien compétent.

## Instructions de sécurité générales



**ATTENTION !** Veuillez lire attentivement les présentes instructions avant d'utiliser la machine pour la première fois et suivre les règles et recommandations spécifiées ci-dessous. Veuillez conserver les instructions originales pour une consultation ultérieure ou un propriétaire futur.

- En cas d'utilisation d'une rallonge, la fiche secteur, la prise et le câble d'alimentation doivent être entièrement fermés, étanches aux projections d'eau et adaptés à une utilisation à l'extérieur.
- S'assurer que le câble d'alimentation et les rallonges ne sont pas endommagés par le déclenchement, le broyage, l'étirement, etc. Protéger les câbles d'alimentation de la chaleur, des produits pétroliers et des dommages causés par des bords tranchants.
- Lors d'un entretien ou d'une maintenance, mettre l'appareil hors tension et débrancher la fiche secteur de la prise.
- Lorsque l'appareil est laissé sans surveillance, toujours mettre hors tension le sectionneur de secteur.
- Des rallonges inadéquates peuvent être dangereuses. Seules les rallonges approuvées et avec une section transversale de câble suffisante peuvent être utilisées à l'extérieur :
  - longueur de câble : 1-10 m, section transversale : 1,5 mm<sup>2</sup> ;
  - longueur de câble : 10-30 m, section transversale : 2,5 mm<sup>2</sup> ;
  - longueur de câble : 30-50 m, section transversale : 4 mm<sup>2</sup>.
- Toujours entièrement dévider le câble pour empêcher un début d'incendie provoqué par la surchauffe du câble.

## Consignes de sécurité

- Utiliser uniquement l'appareil comme prévu. Lors de l'utilisation de l'appareil, suivre les réglementations locales en tenant compte des autres personnes à proximité.
- L'utilisation de l'appareil par les enfants est strictement interdite. Ne pas laisser les enfants jouer avec l'appareil.
- L'appareil ne peut être utilisé que par des personnes ayant suivi une formation appropriée sur le fonctionnement.
- L'utilisation de l'appareil par des personnes (y compris des enfants) ayant des capacités physiques, sensorielles ou mentales limitées est strictement interdite, à moins d'une surveillance ou d'une instruction sur l'utilisation de l'appareil par la ou les personnes responsables de leur sécurité.
- Rester concentré et penser chaque action lors de l'utilisation de l'appareil. Ne pas utiliser l'appareil en cas de fatigue ou sous l'emprise de drogues, alcool ou médicaments. Une perte d'attention pendant le fonctionnement peut causer des blessures graves.
- Ne pas faire fonctionner l'appareil pendant les orages ou les fortes pluies, particulièrement en cas de foudre.
- Utiliser uniquement l'appareil en position verticale, ne pas le recouvrir pendant le fonctionnement pour assurer une ventilation suffisante et éviter la surchauffe.
- Assurer la stabilité de l'appareil avant de procéder à une opération afin de prévenir les accidents ou les dommages consécutifs à un basculement. Il est strictement interdit d'utiliser l'appareil en hauteur, par exemple, en l'installant sur un échafaudage ou une échelle ou en le suspendant.
- Lors de l'utilisation de l'appareil, veillez à :
  - Ne pas utiliser l'air comprimé pour nettoyer les vêtements. Ne pas inhaler l'air comprimé.
  - Ne pas modifier sa fonction de façon à pouvoir excéder la pression maximale permise. Ne pas excéder la pression de travail maximale.
  - Ne jamais excéder la pression maximale permise pour l'équipement devant être raccordé à l'appareil.
  - Ne pas utiliser l'appareil à une température inférieure à 5°C
  - Déplacer l'appareil uniquement à l'aide des poignées de transport. Ne jamais utiliser le tuyau à air pour déplacer l'appareil.
  - Ne pas transporter ou déplacer l'appareil sans libérer la pression du récepteur.
  - Faire attention en faisant fonctionner l'appareil, puisque certaines de ses pièces peuvent être très chaudes.
  - Ne pas utiliser de substances inflammables ou corrosives pour nettoyer l'appareil.
  - Surveillez toujours le statut du récepteur ; si le récepteur est endommagé ou si une fuite d'air est détectée, éteindre immédiatement l'appareil et libérer la pression d'air dans le récepteur.
  - Il est strictement interdit d'utiliser l'appareil avec un récepteur endommagé. La réparation du récepteur et son utilisation ultérieure ne sont pas autorisées - un récepteur endommagé doit être remplacé.
  - Avant de procéder à la maintenance ou à la réparation, assurez-vous que l'appareil est débranché de l'alimentation électrique.
  - Après chaque utilisation, il est nécessaire de libérer la pression d'air dans le récepteur et d'en évacuer le condensat.
  - Ne pas faire fonctionner l'appareil avec des dispositifs endommagés ou désassemblés. Ne jamais utiliser un appareil qui n'est pas correctement équipé ou qui a fait l'objet de modifications non autorisées.
  - Le fonctionnement de l'appareil présume un travail ininterrompu sans la présence de l'utilisateur, assurez-vous donc que l'appareil est installé à l'écart de substances inflammables et qu'aucun facteur extérieur n'empêche son refroidissement normal (la distance minimale entre l'appareil et tout objet ou mur est de 50 cm).
  - Il est interdit d'utiliser l'appareil dans des endroits où l'atmosphère est poussiéreuse, et où l'atmosphère contient des gaz explosifs et des vapeurs de substances agressives.
  - L'appareil est conçu uniquement pour l'air comprimé, ne pas l'utiliser à d'autres fins.
  - Ne pas utiliser l'air comprimé produit par l'appareil à des fins médicales ou pharmaceutiques.
  - Ces appareils ne sont pas adaptés pour remplir les bouteilles de plongée.
  - Ne pas toucher l'appareil en marche avec des mains humides.
  - L'utilisation de cet appareil pour des objectifs variés (gonflage, alimentation des outils pneumatiques et des appareils utilisant l'énergie de l'air comprimé, peinture, lavage, etc.) présume que l'utilisateur est conscient des consignes de sécurité pour chaque cas spécifique.
  - Une fois le travail terminé, attendez que l'appareil refroidisse, et ensuite seulement, il peut être recouvert ou un couvercle de protection peut être mis dessus.

## Autres dangers

- Ne pas utiliser l'appareil dans une atmosphère explosive, par exemple, en présence de vapeurs de



liquides ou gaz inflammables, de particules de substances combustibles sous forme de poussière.

- Ne pas diriger le jet d'air comprimé sur des surfaces contenant des substances dangereuses pour la santé (par exemple, de l'amiante).
- Prenez en compte le poids de l'appareil en choisissant le lieu de stockage et de transport (voir le tableau des " spécifications de l'appareil ") afin d'éviter les accidents ou les blessures.

### Maintenance de l'appareil















- La maintenance de l'appareil doit être faite par un personnel qualifié en utilisant les pièces détachées recommandées. Cela assure que la sécurité de l'appareil est préservée.
- Suivez les instructions de lubrification et les recommandations pour remplacer les accessoires.

### Risques résiduels

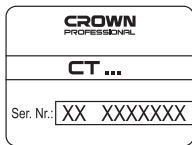
- Même si vous utilisez l'appareil conformément à toutes les exigences de sécurité, les risques potentiels de blessure ou de dommage demeurent. En raison des caractéristiques spécifiques de la conception de l'appareil, les dangers suivants peuvent se présenter :
  - risque de blessure ou de dommage matériel par des objets projetés par l'air comprimé ;
  - blessures ou lésions physiques causées par des accessoires défaillants ou par un choc soudain contre des objets cachés pendant le fonctionnement.

### Symboles utilisés dans le manuel

Les symboles suivants sont utilisés dans le manuel d'utilisation, ne pas oublier leur signification. Une interprétation correcte des symboles permettra une utilisation appropriée et sûre de l'appareil.

Symbole	Légende
	Portez le masque antipoussière.
	Avant les travaux de montage et de réglage, débranchez l'instrument du réseau électrique.
	Ne pas travailler en cas de pluie ou de neige.
	Sens du mouvement.
	Sens de la rotation.
	Bloqué.
	Débloqué.
I	Classe de protection.
	Signe certifiant que l'article correspond aux directives CE et aux standards harmonisés de l'Union Européenne.
	Attention. Information importante.
	Information utile.
	Ne pas jeter la machine dans un conteneur à déchets domestiques.
	Lisez attentivement toutes les consignes de sécurité et les instructions.
	Portez les lunettes de protections.
	Portez le casque de protection.

**Etiquette avec le numéro d'usine:**  
 CT ... - modèle;  
 XX - date de fabrication;  
 XXXXXXX - numéro d'usine.



### Appellation de la machine

Le compresseur est conçu pour alimenter différents outils en air comprimé, dispositifs et appareils pneumatiques.

L'utilisation du compresseur vous permet d'économiser l'électricité, de mécaniser le travail et d'augmenter la vitesse de la performance de travail.

Les différents outils pneumatiques élargissent le champ d'application du compresseur, ce qui lui permet de faire des opérations comme le forage, le burinage, la peinture et le lavage ce qui comprend la pulvérisation de détergents, etc.



**Le montage / démontage / réglage de certains éléments est le même pour l'ensemble des modèles de machines. Les modèles spécifiques ne sont pas présentés dans l'illustration.**

## Composants de la machine

- 1 Poignée de transport
- 2 Roue \*
- 3 Bouchon de vidange d'huile
- 4 Durite
- 5 Support en caoutchouc \*
- 6 Boîtier
- 7 Cylindre
- 8 Clapet de soupape
- 9 Interrupteur marche / arrêt
- 10 Relais de pression (pressostat)
- 11 Manomètre du récepteur
- 12 Raccord de sortie (pression non régulée)
- 13 Manomètre de pression régulée
- 14 Régulateur de pression
- 15 Raccord de sortie (pression régulée)
- 16 Clapet de retenue
- 17 Récepteur
- 18 Filtre à air (assemblage)
- 19 Carter
- 20 Fenêtre d'affichage pour surveiller le niveau d'huile
- 21 Soupape de sûreté
- 22 Vanne de vidange
- 23 Bouteille d'huile \*
- 24 Raccord \*
- 25 Écrou pour installer le support en caoutchouc \*
- 26 Boulon pour installer le support en caoutchouc \*
- 27 Rondelle pour installer le support en caoutchouc \*
- 28 Ergot de montage de roue \*
- 29 Rondelle de montage de roue \*
- 30 Écrou de montage de roue \*
- 31 Tuyau \*
- 32 Collier de serrage pour tuyau \*
- 33 Raccord pour remplacement rapide \*
- 34 Bouchon \*
- 35 Boîte du filtre à air
- 36 Élément de filtre \*
- 37 Couvercle du filtre à air

\* Accessoires

**Une partie des accessoires représentés et décrits ne figurent pas dans la livraison.**

## Installation et réglage des éléments de la machine

**Avant d'entamer toute procédure, assurez-vous d'éteindre l'appareil, de débrancher le câble d'alimentation de la prise et de libérer la pression dans le récepteur 17 (en tirant sur la soupape de sûreté 21).**



**Ne pas trop serrer les fixations afin d'éviter tout endommagement du filetage.**

## Assemblage / désassemblage des supports en caoutchouc (voir les fig. 1-2)

- Installez les supports en caoutchouc 5 comme représenté fig. 1-2.
- Désassemblez dans l'ordre inverse.

## Assemblage / désassemblage des roues (voir fig. 3)

[CT36028, CT36029, CT36047]

- Montez les roues 2 comme représenté fig. 3.
- Désassemblez dans l'ordre inverse.

## Branchement / débranchement du tuyau à air (voir les fig. 4-5)

[CT36046, CT36047]

- Attachez le collier de serrage du tuyau 32 à l'extrémité du tuyau 31 (voir la fig. 4.1).
- Posez le raccord 24.
- Serrez la vis du collier de serrage du tuyau 32.
- Pour brancher, vissez le raccord 24 sur le raccord de sortie 12 ou 15 (voir la fig. 4.2).
- Pour débrancher, dévissez le raccord 24.

[CT36028, CT36029]

- Pour brancher, insérez (jusqu'au clic) le raccord de remplacement rapide 33 sur le raccord de sortie 12 ou 15 (voir la fig. 5.1).
- Pour débrancher, déplacez la douille du branchement de remplacement rapide, comme représenté fig. 5.2 et enlevez le raccord de remplacement rapide 33.

## Première opération de la machine

### Remplissage d'huile (voir les fig. 6-7)



**Attention : Le fabricant de l'appareil ne remplit pas le carter 19 d'huile afin de se conformer aux conditions techniques de transport. Par conséquent, avant l'utilisation, il est exigé de remplir l'appareil avec l'huile de la marque recommandée. Le fonctionnement de l'appareil sans huile dans le carter 19 ou avec un niveau d'huile inférieur à la quantité minimale endommagera l'appareil ; dans quel cas, vous perdrez la garantie réparation.**

- Placez l'appareil sur une surface horizontale plane.
- Nettoyez la zone autour de l'ouverture à huile avec un chiffon et enlevez le bouchon 34 (voir la fig. 6.1).
- Versez délicatement l'huile dans le carter 19 (il est recommandé d'utiliser un entonnoir). Le niveau d'huile est la limite supérieure du point rouge dans la fenêtre d'affichage 20 (voir la fig. 6.2). Attendez 5 minutes puis vérifiez de nouveau le niveau d'huile, si besoin



est, en rajouter jusqu'à l'indication du niveau maximal. **Attention : ne pas dépasser l'indication du niveau maximal.**

• Montez le bouchon **8** comme représenté fig. 7.1. **Attention : le bouchon 8 dispose d'un clapet spécial qui empêche l'augmentation de la pression dans le carter 19. Il est strictement interdit de remplacer le bouchon 8 par le bouchon 34 ou autres objets.**

• Pour assurer une distribution égale de l'huile dans le carter **19** à la première mise en marche et après un long temps d'arrêt, il est recommandé de faire marcher l'appareil sans charge pendant 5 minutes. Pour ce faire, dévissez la vanne de vidange **22** (comme pour évacuer le condensat, voir la description ci-dessous), tirez aussi sur la bague de la soupape de sûreté **21** et la maintenir, puis mettre l'appareil en marche.



Pour remplir à nouveau, utilisez l'huile fournie avec l'appareil. Vous pouvez aussi utiliser l'huile à moteur - SAE30 (si l'appareil est utilisé à une température supérieure à 10°C) ou SAE10 (si l'appareil est utilisé à des températures inférieures à 10°C). Ne pas mélanger d'huiles de grades différents.

### Avant de mettre en marche la machine

- S'assurer que la tension correspond aux spécifications techniques inscrites sur l'appareil.
- Vérifier l'état du cordon d'alimentation et de la rallonge ; si un dommage est détecté, le câble doit être remplacé.
- Vérifiez l'état du tuyau à air ; s'il est endommagé, remplacez-le.

## Allumer / éteindre l'appareil

**Avant de brancher l'appareil au secteur, assurez-vous que l'interrupteur marche / arrêt 9 est à la position basse (Off).**

### Mise en marche :

Déplacez l'interrupteur marche / arrêt **9** vers le haut (voir la fig. 8.1).

### Arrêt :

Déplacez l'interrupteur marche / arrêt **9** vers le bas (voir la fig. 8.2).

## Caractéristiques de conception de l'appareil

### Marche / arrêt automatiques

Après la mise en marche, l'appareil fonctionne en mode cyclique : le relais de pression **10** maintient une pression constante dans le récepteur **17** en basculant l'appareil en marche / arrêt en fonction de la consommation d'air comprimé par les outils pneumatiques raccordés. Lorsque l'appareil est mis en marche, l'air est aspiré par le filtre à air **18** et injecté dans le récepteur **17** à travers la tuyauterie **4**. Lorsque la valeur de pression maximale (la valeur de ce paramètre est définie en usine) est atteinte, le relais de pression **10** est activé et le moteur électrique est arrêté. L'excédent d'air dans la tuyauterie **4** et le cylindre **7** est évacué

par la soupape. Ainsi, il n'y a pas d'excédent de pression dans le cylindre **7** et la tuyauterie **4** - cela réduit la charge sur le moteur électrique lors de la prochaine mise en marche de l'appareil. Si la pression dans le récepteur **17** tombe à la valeur minimale, le moteur électrique se met en marche et l'appareil commence à pomper l'air dans le récepteur **17** jusqu'à ce que la valeur maximale soit atteinte. L'appareil fonctionne à ce régime tant que l'interrupteur marche / arrêt **9** est en position haute (" On ").

Si l'appareil ne s'arrête pas automatiquement quand la pression maximale est atteinte, l'excédent de pression est alors libéré par la soupape de sûreté **21**. Il est alors nécessaire de contacter immédiatement un atelier de réparation spécialisé **CROWN**.

### Protection de température

La protection de température prévient les dommages à l'appareil, en l'arrêtant lors de charges excessives et de surchauffe. Par exemple, quand en utilisant des outils pneumatiques la consommation d'air est supérieure à la capacité de l'appareil ou quand un élément de filtre **36** est bouché, etc. Cela protège le moteur électrique contre la surcharge. Quand la protection de température est activée, débranchez l'appareil du secteur, éliminez la cause ayant déclenché la protection, laissez l'appareil refroidir puis reprendre le travail.

### Réglage de pression (voir la fig. 8)

Le régulateur de pression **14** permet de régler la pression de l'air comprimé dans le raccord de sortie **15** selon la nécessité.

- Le manomètre **13** montre la valeur de pression définie.
- Pour augmenter la pression, tournez la poignée du régulateur de pression **14** dans le sens inverse des aiguilles d'une montre (voir la fig. 8).
- Pour réduire la pression, tournez la poignée du régulateur de pression **14** dans le sens des aiguilles d'une montre.



**Attention : la conception de l'appareil permet le réglage de la pression de l'air comprimé seulement au raccord de sortie 15. La pression au raccord de sortie 12 est égale à la pression dans le récepteur 17 (la valeur de la pression dans le récepteur 17 est indiquée par le manomètre 11).**

## Recommandations sur le fonctionnement de l'appareil

### Avant de commencer le travail

- Placez l'appareil sur une surface horizontale plane (la pente admissible est inférieure à 15°) ; cela assurera la lubrification correcte des pièces.
- Raccordez les outils pneumatiques à l'appareil.
- Branchez l'appareil sur le secteur.
- Pour les modèles **CT36046** et **CT36047** - ouvrir le clapet sur le raccord de sortie **12** ou **15** (en fonction de celui sur lequel est raccordé l'outil pneumatique).
- Lors des travaux de vaporisation de liquides, assurez-vous qu'aucune goutte n'atteigne l'appareil.

- Si vous devez déplacer l'appareil pendant son fonctionnement, débranchez-le du secteur et dépressurisez le récepteur **17**, puis procédez au transport.
- En cas de bruits ou de fortes vibrations sur la pièce de l'appareil, arrêtez-le immédiatement et contactez le centre de service **CROWN**.

## Recommandations générales

- Mettez l'appareil en marche.
- En utilisant le régulateur de pression **14**, réglez la pression exigée pour le fonctionnement.
- Ne pas surcharger l'appareil. Le mode de fonctionnement de l'appareil est intermittent avec un facteur de durée cyclique jusqu'à 55 %, tandis que la durée du cycle est de 6 à 10 minutes. Il est permis de faire fonctionner le dispositif en continu pendant 15 minutes, mais pas plus d'une fois en 1.5 heure.
- Lorsque vous utilisez l'appareil, surveillez le niveau d'huile dans le carter **19** ; ajoutez de l'huile si nécessaire.

## À la fin de l'opération

- Arrêtez l'appareil.
- Débranchez l'appareil du secteur.
- En tirant sur la bague de la soupape de sûreté **21**, dépressurisez le récepteur **17**.
- Évacuez le condensat du récepteur **17**, comme décrit ci-dessous.

## Entretien de l'appareil / mesures de prévention

**Avant d'entamer toute procédure, assurez-vous d'éteindre l'appareil, de débrancher le câble d'alimentation de la prise et de libérer la pression dans le récepteur 17 (en tirant sur la soupape de sûreté 21).**

### Nettoyage de l'appareil

Il faut nettoyer périodiquement la surface externe de l'appareil avec une brosse douce et un chiffon, et souffler les pièces de l'appareil avec de l'air comprimé. Ne pas utiliser de substances caustiques ou de dissolvants pour nettoyer l'appareil.

### Changement d'huile (voir les fig. 6-7)

Après les 30 premières heures de fonctionnement de l'appareil (puis après toutes les 150 heures de fonctionnement), il faut changer l'huile. Si le compresseur n'est pas utilisé pendant plus de 12 mois, il est également recommandé de changer l'huile avant de le faire fonctionner.



**Attention : Si l'huile a changé de couleur (elle est devenue claire - l'eau a pénétré, ou elle est devenue foncée - elle a été surchauffée) ou si elle contient des impuretés étrangères, vous devez la changer immédiatement.**

- Placez l'appareil sur une surface horizontale plane.
- Placez un récipient sous le trou de vidange, dans lequel sera évacuée l'huile usée (voir la fig. 7.2).

- Avec un chiffon, nettoyez la zone autour du bouchon **8** et dévissez-le (voir la fig. 7.1).
- Avec un chiffon, nettoyez la zone autour du bouchon **3** et dévissez-le, puis attendez que l'huile usée arrête de s'écouler hors du trou de vidange. Serrez le bouchon **3** (voir la fig. 7.2).
- Versez délicatement l'huile dans le carter **19** (il est recommandé d'utiliser un entonnoir). Le niveau d'huile est la limite supérieure du point rouge dans la fenêtre d'affichage **20** (voir la fig. 6.2). **Attention : ne pas dépasser l'indication du niveau maximal.**
- Serrez le bouchon **8** (voir la fig. 7.1).

### Évacuation du condensat (voir les fig. 9-10)

Après chaque utilisation ou à la fin de chaque journée de travail, évacuez toujours le condensat hors du récepteur **17**. Cela prévient la corrosion dans le récepteur **17**.

- Placez l'appareil sur une surface horizontale plane.
- Placer un récipient sous la vanne de vidange **22** dans lequel le condensat sera évacué.
- Dévissez la vanne de vidange **22** et attendez que le condensat s'évacue complètement (l'eau arrêtera de couler de la vanne **22**) (voir les fig. 9-10).
- Vissez la vanne de vidange **22**.

### Changement du filtre à air (voir les fig. 11-12)

Inspectez régulièrement l'élément de filtre **36** ou le filtre à air **18** (sa contamination dépend de l'état de l'environnement). Nettoyez (ou remplacez) l'élément de filtre quand il se salit, mais au moins après 100 heures d'utilisation de l'appareil. Un filtre à air pollué réduit le facteur d'efficacité et contribue à une plus grande dépréciation de l'appareil.

- Placez l'appareil sur une surface horizontale plane.
- Dévissez le filtre à air **18** (voir les fig. 11-12).
- Enlevez le couvercle **37** du boîtier **35**.
- Enlevez l'élément de filtre **36**.
- Pour les modèles **CT36028, CT36029** : lavez l'élément de filtre **36** à l'eau et au savon, et séchez-le entièrement. **Attention : Ne pas utiliser d'essence, de dissolvant ou de substances corrosives pour laver l'élément de filtre.**
- Pour les modèles **CT36046, CT36047** : soufflez l'élément de filtre **36** avec de l'air comprimé.
- Si les impuretés de l'élément de filtre **36** sont trop lourdes et ne peuvent pas être nettoyées, remplacez-le. Il est strictement interdit d'utiliser l'appareil sans filtre à air.
- Assemblez le filtre à air **18** et remplacez-le.

### Vérification du statut du récepteur

Inspectez régulièrement le récepteur **17** pour tout signe de dommage ou de corrosion. Si le récepteur **17** est endommagé, il est interdit de procéder à des réparations indépendantes (mécanique, ou par soudage). Un récepteur endommagé **17** doit complètement être remplacé dans un atelier de réparation spécialisé **CROWN**.

### Services après-vente et d'application

Notre service après-vente répond à vos questions concernant l'entretien et la réparation de votre appareil

et de ses pièces de rechange. Des informations sur les centres d'entretien, les schémas des pièces de rechange et les pièces de rechange sont également disponibles à l'adresse suivante : [www.crown-tools.com](http://www.crown-tools.com).

## Transport de l'appareil

- Ne déplacer l'appareil que par la poignée 1 ou en le soulevant et en le soutenant par le dessous. Ne pas déplacer l'appareil par les autres pièces (en tirant sur les tuyaux ou sur le câble d'alimentation électrique, etc.).
- Ne pas transporter ou déplacer l'appareil sans libérer la pression du récepteur 17.
- Éviter strictement tout impact mécanique sur l'emballage pendant le transport.
- Lors du déchargement / chargement, il est interdit d'utiliser tout type de technologie fonctionnant sur le principe de serrage de l'emballage.

## Protection de l'environnement



**Attention : Ne pas jeter l'huile usée ni le condensat du récepteur 17 sur le sol, la terre, dans les plans d'eau ou dans les égouts. L'huile usée doit être recueillie dans un récipient scellé puis transférer dans un point de traitement des déchets pour son élimination ultérieure.**



**Récupération des matières premières plutôt qu'élimination des déchets.**

Les appareils, les accessoires et les emballages doivent être triés pour un recyclage respectueux de l'environnement.

Nos pièces plastiques ont ainsi été marquées en vue d'un recyclage sélectif des différents matériaux.

Ce manuel d'instructions a été fabriqué à partir d'un papier recyclé blanchi en l'absence de chlore.

## Especificaciones del artefacto

Compresor neumático		CT36046	CT36028	CT36029	CT36047
Código del artefacto	[220-230 V ~50/60 Hz]	421463	421449	421456	421470
Potencia absorbida	[W] [HP]	750 1	1500 2	1500 2	1500 2
Amperaje en el voltaje	220-230 V [A]	6	8	8	8
Velocidad nominal	[min <sup>-1</sup> ]	2800	2800	2800	2800
Capacidad del tanque de almacenamiento de aire	[l]	9	25	50	50
Productividad	[l/min]	80	135	135	110
Presión operativa	[MPa] [bar]	0,8 8	0,8 8	0,8 8	0,8 8
Peso	[kg] [lb]	13,8 30.42	22 48.5	28 61.73	27,9 61.51
Clases de protección		I	I	I	I
Presión acústica	[dB(A)]	—	—	—	—
Potencia acústica	[dB(A)]	—	—	—	—
Vibración ponderada	[m/s <sup>2</sup> ]	—	—	—	—

## Información sobre ruidos



Tome medidas adecuadas para proteger sus oídos cuando la presión acústica exceda el valor de 85 dB(A).

Además de las precauciones de seguridad del presente documento, cumpla con las reglamentaciones legales de seguridad y las pautas para la prevención de accidentes.

Las placas de precaución y las placas de tipo que se encuentran en el artefacto contienen información importante, necesaria para el funcionamiento seguro.

## CE Declaración de conformidad

Declaramos bajo nuestra exclusiva responsabilidad que el producto descrito en "Especificaciones del artefacto" está en conformidad con todas las disposiciones relevantes de las directivas 2006/42/EC, incluyendo sus enmiendas, y cumple con las siguientes normas: EN1012-1:2010.

Gerente de certificación

Wu Cunzhen

Merit Link International AG  
Stabio, Suiza, 20.01.2018

## Recomendaciones para la seguridad eléctrica

- Las conexiones eléctricas sólo deben ser realizadas por un electricista calificado de acuerdo con los requisitos de IEC 60364-1.
- Si el enchufe del cable de alimentación no coincide con el tomacorriente utilizado, el servicio técnico debe cortar el enchufe y reemplazarlo con uno apropiado. Si el enchufe original tiene un dispositivo de protección incorporado, el enchufe de reemplazo debe tener un dispositivo de protección con las mismas características. Se debe desechar el enchufe que se corta, a fin de evitar un choque eléctrico y no debe conectarse a ningún tomacorriente.
- Se recomienda conectar el artefacto sólo a un tomacorriente equipado con un disyuntor de 30 mA.
- El dispositivo se conectará sólo a la red principal de CA. La tensión debe coincidir con los datos que se encuentran en la placa tipo.
- No toque el enchufe o el tomacorriente con las manos húmedas.
- Antes del funcionamiento revise el cable de alimentación y el enchufe para ver si hay daños. No opere el artefacto en caso de que el cable de alimentación o el enchufe estén dañados. Comuníquese con atención al cliente o con un electricista calificado.

## Instrucciones generales de seguridad



**¡ATENCIÓN!** Lea atentamente estas instrucciones antes de usar el artefacto por primera vez y siga todas las reglas y recomendaciones especificadas en dichas instrucciones. Conserve las instrucciones originales para futura referencia o para un futuro propietario.

Español

- Si se usa un cable de extensión, se debe proveer el enchufe, tomacorriente y cable de alimentación y los mismos deben ser a prueba de salpicaduras y adecuados para el uso al aire libre.
- Asegúrese de que el cable de alimentación y los cables de extensión no estén dañados por desconexión, aplastamiento, estiramiento, etc. Proteja los cables eléctricos del calor, los productos con aceite y los daños provocados por los bordes filosos.
- Cuando realice cualquier servicio o mantenimiento, apague el artefacto y desconecte el enchufe de alimentación del tomacorriente.
- Cuando deje el artefacto sin supervisión, apague siempre la alimentación principal desconectando el interruptor.
- Los cables de extensión no adecuados pueden ser peligrosos. Al aire libre sólo se pueden usar cables de extensión aprobados para el uso y debidamente marcados, con un cruce de cable suficiente:
  - longitud del cable: 1-10 m, sección cruzada: 1,5 mm<sup>2</sup>;
  - longitud del cable: 10-30 m, sección cruzada: 2,5 mm<sup>2</sup>;
  - longitud del cable: 30-50 m, sección cruzada: 4 mm<sup>2</sup>.
- Siempre desenrolle completamente el cable para evitar un incendio resultante del sobrecalentamiento del cable.

### Instrucciones para el funcionamiento seguro

- Use el artefacto sólo para su función. Cuando opere el artefacto, siga las reglamentaciones locales con el debido cuidado de las personas que estén cerca.
- Está expresamente prohibido el uso del artefacto por parte de niños. No permita que los niños jueguen con el artefacto.
- El artefacto sólo puede ser usado por personas que pasaron la capacitación relevante sobre el funcionamiento.
- Está terminantemente prohibido que personas (incluyendo niños) con capacidades físicas, sensoriales o mentales limitadas operen el artefacto, a menos que estén supervisados por la persona responsable de su seguridad o que dicha persona los haya instruido con respecto al funcionamiento del artefacto.
- Cuando opere el artefacto, manténgase concentrado y atento a cada acción. No use el artefacto cuando esté cansado o bajo la influencia de drogas, alcohol o medicamentos. La falta de atención durante la operación puede provocar lesiones graves.
- No opere el artefacto durante una tormenta eléctrica o bajo lluvia copiosa, especialmente en caso de rayos.
- Use el artefacto sólo en posición vertical, no lo cubra durante el funcionamiento para asegurarse de que tenga ventilación suficiente y evitar el sobrecalentamiento.
- Garantice la estabilidad del artefacto antes de realizar cualquier operación a fin de evitar accidentes o lesiones resultantes de vuelcos. Está estrictamente prohibido usar el artefacto en altura, por ejemplo, instalándolo en un andamio o en una escalera o colgándolo.
- Tenga cuidado al utilizar el artefacto. Nunca apunte el chorro de aire comprimido hacia las personas o los animales. Utilice equipo de protección personal (antiparras, respirador, guantes, etc.).
- No utilice aire comprimido para limpiar ropa. No inhale el aire comprimido.
- No modifique el diseño de manera que se pueda exceder la presión máxima permitida. No exceda la presión operativa máxima.
- Nunca exceda la presión máxima permitida para el equipo que se conectará al artefacto.
- No use el artefacto con temperaturas por debajo de los 5°C.
- Mueva el artefacto usando sólo las asas para transporte. Nunca use la manguera de aire para mover el artefacto.
- No transporte ni mueva el artefacto sin aliviar la presión del receptor
- Tenga cuidado al operar el artefacto, dado que algunas de sus partes se pueden calentar mucho.
- No use sustancias inflamables ni corrosivas para limpiar el artefacto.
- Vigile el estado del receptor; si el receptor se daña o si detecta cualquier pérdida de aire, apague inmediatamente el artefacto y alivie la presión de aire en el receptor.
- Está estrictamente prohibido utilizar el artefacto con un receptor dañado. No se permite reparar y continuar usando el receptor. El receptor dañado debe reemplazarse.
- Antes de realizar el mantenimiento o una reparación asegúrese de que el artefacto esté desconectado de la fuente de alimentación.
- Después de cada uso, es necesario aliviar la presión de aire en el receptor y drenar la condensación del mismo.
- No ponga el artefacto en funcionamiento si los dispositivos de protección están dañados o se han desmantelado. Nunca use el artefacto si no está debidamente equipado o si estuvo sujeto a modificaciones no autorizadas.
- El funcionamiento del artefacto da por sentado el trabajo continuo sin la atención del usuario, así que asegúrese de que el artefacto esté instalado lejos de sustancias inflamables y que ningún factor externo evite su enfriamiento normal (la distancia mínima de cualquier objeto o pared con respecto al artefacto es de 50 cm).
- Está prohibido usar al artefacto en lugares con atmósfera polvorienta así como también con una atmósfera que contenga gases explosivos y vapores de sustancias agresivas.
- El artefacto fue diseñado sólo para la compresión del aire, no lo use para otros propósitos.
- No use el aire comprimido producido por el artefacto para propósitos médicos o farmacéuticos.
- Estos artefactos no son adecuados para llenar los cilindros de buceo.
- No toque el artefacto en funcionamiento con las manos húmedas.
- El uso del artefacto para diversos propósitos (inflado, alimentación de herramientas neumáticas y artefactos que usan energía de aire comprimido, pintura, lavado, etc.) da por sentado que el usuario conoce las reglas de seguridad para cada caso específico.
- Después de terminar de utilizarlo, espere hasta que el artefacto se haya enfriado, y sólo después de eso se puede cubrir o se le puede colocar una cubierta protectora.

### Otros riesgos

- No use el artefacto en una atmósfera explosiva, por ejemplo, en presencia de vapores de líquidos o gases

inflamables, partículas de sustancias combustibles en forma de polvo.

- No dirija el chorro de aire comprimido hacia superficies que contengan sustancias nocivas para la salud (por ejemplo, asbestos).
- Tenga en cuenta el peso del artefacto al seleccionar el lugar de almacenamiento y durante el transporte (consulte la tabla "Especificaciones del artefacto") para evitar accidentes o lesiones.

### Mantenimiento del artefacto

- El mantenimiento de su artefacto debe ser realizado por personal calificado que utilice los repuestos recomendados. Esto garantiza que se preserve la seguridad de su artefacto.
- Siga las instrucciones para la lubricación y las recomendaciones para el reemplazo de accesorios.

### Riesgos residuales

- Aún cuando opere este artefacto de conformidad con todos los requisitos de seguridad, persisten los posibles riesgos de lesión y daños. Debido a las características específicas del diseño del artefacto, se pueden producir los siguientes riesgos:
  - el riesgo de lesiones y daño material por objetos arrojados por el aire comprimido;
  - lesiones o daño físico debido a accesorios defectuosos o a un impacto repentino de objetos ocultos durante la operación.

### Símbolos utilizados en este manual

Los siguientes símbolos se utilizan en este manual de funcionamiento, por favor, recuerde sus significados. La correcta interpretación de los símbolos permitirá un uso correcto y seguro del artefacto.

Símbolo	Significado
	<b>Etiqueta con número de serie:</b> CT ... - modelo; XX - fecha de fabricación; XXXXXXX - número de serie.
	Lea todas las reglas e instrucciones de seguridad.
	Use gafas de seguridad.
	Use protectores para los oídos.

Símbolo	Significado
	Use una máscara antipolvo.
	Desconecte la herramienta eléctrica de la red antes de instalarla o ajustarla.
	No trabaje en la lluvia o en la nieve.
	Dirección del movimiento.
	Dirección de la rotación.
	Bloqueado.
	Desbloqueado.
I	Clase de protección.
	Un signo que certifica que el producto cumple con los requisitos esenciales de las directivas de la UE y las normas armonizadas de la UE.
	Atención. Importante.
	Información útil.
	No deseche el artefacto en un recipiente de basura doméstico.

### Designación del artefacto

El compresor fue diseñado para proporcionar aire comprimido a diversas herramientas neumáticas, dispositivos y artefactos. El uso del compresor le permite ahorrar energía eléctrica, mecanizar el trabajo y aumentar la velocidad de rendimiento del trabajo.



Diversas herramientas neumáticas expanden significativamente el alcance de la aplicación del compresor, lo cual hace posible realizar trabajos tales como perforación, cincelado, bombeo, pintura y lavado, lo cual involucra el rociado de detergentes, etc.



**El montaje / desmontaje / armado de algunos elementos es el mismo para todos los modelos del artefacto. En este caso los modelos específicos no se indican en la ilustración.**

## Componentes del artefacto

- 1 Asa para transporte
- 2 Rueda \*
- 3 Tapón de drenaje de aceite
- 4 Tuberías
- 5 Montaje de goma \*
- 6 Caja
- 7 Cilindro
- 8 Tapón de la válvula
- 9 Interruptor de encendido / apagado
- 10 Relé de presión (presostato)
- 11 Manómetro del receptor
- 12 Accesorio de salida (presión no regulada)
- 13 Manómetro de presión regulada
- 14 Regulador de presión
- 15 Accesorio de salida (presión regulada)
- 16 Válvula de control
- 17 Receptor
- 18 Filtro de aire (ensamblaje)
- 19 Cártel
- 20 Puerto de control para el monitoreo del nivel de aceite
- 21 Válvula de seguridad
- 22 Válvula de drenaje
- 23 Frasco de aceite \*
- 24 Accesorio \*
- 25 Tuerca para la instalación del montaje de goma \*
- 26 Bulón para la instalación del montaje de goma \*
- 27 Arandela para la instalación del montaje de goma \*
- 28 Bujía para la instalación de la rueda \*
- 29 Arandela para la instalación de la rueda \*
- 30 Tuerca para la instalación de la rueda \*
- 31 Manguera \*
- 32 Abrazadera para la manguera \*
- 33 Accesorio para cambio rápido \*
- 34 Tapón \*
- 35 Carcasa del filtro de aire
- 36 Elemento del filtro \*
- 37 Cubierta del filtro de aire

\* Accesorios

**No todos los accesorios fotografiados o descritos están incluidos en el envío estándar.**

## Instalación y regulación de los elementos del artefacto

**Antes de realizar cualquier procedimiento, asegúrese de apagar el artefacto, retirar el cable de corriente del enchufe y descargar la presión del receptor 17 (tirando del aro de la válvula de seguridad 21).**



**No apriete demasiado los elementos de ajuste para evitar dañar el hilo.**

### Montaje / desmantelado de los montajes de goma (vea las fig. 1-2)

- Instale los montajes de goma **5** tal como se muestra en las figs. 1-2.
- Desarmar en la secuencia invertida.

### Montaje / desmantelado de las ruedas (vea la fig. 3)

[CT36028, CT36029, CT36047]

- Instale las ruedas **2** como se muestra en la fig. 3.
- Desarmar en la secuencia invertida.

### Conexión / desconexión de la manguera de aire (vea las fig. 4-5)

[CT36046, CT36047]

- Coloque la abrazadera de la manguera **32** en el extremo de la manguera **31** (vea la fig. 4.1).
- Instale el accesorio **24**.
- Ajuste el tornillo de la abrazadera de la manguera **32**.
- Para conectar, atornille el accesorio **24** en el accesorio de salida **12** o **15** (vea la fig. 4.2).
- Para desconectar, desatornille el accesorio **24**.

[CT36028, CT36029]

- Para conectar, inserte ("haga clic" con) el accesorio de cambio rápido **33** en el accesorio de salida **12** o **15** (vea la fig. 5.1).
- Para desconectar, mueva el buje de conexión de cambio rápido, tal como se muestra en la fig. 5.2, y retire el accesorio de cambio rápido **33**.

## Funcionamiento inicial del artefacto

### Llenado de aceite (vea la fig. 6-7)



**Atención: el fabricante del artefacto no llena el cárter 19 con aceite para cumplir con las condiciones técnicas de transporte. Por consiguiente, antes de usarlo se requiere llenar el artefacto con aceite de la marca recomendada. El funcionamiento del artefacto sin aceite en el cárter 19 o con un nivel de aceite menor que el mínimo, dará como resultado daños en el artefacto; en este caso, usted perderá el derecho al servicio de reparación en garantía.**

- Coloque el artefacto sobre una superficie plana horizontal.
- Limpie el área alrededor del orificio del aceite, con un paño y el tapón **34** (vea la fig. 6.1).
- Vierta cuidadosamente el aceite en el cárter **19** (se recomienda usar un embudo). El nivel de aceite es el límite superior del punto rojo que se encuentra en el puerto de control **20** (vea la fig. 6.2). Espere 5 minutos y luego vuelva a revisar el nivel de aceite, si fuera necesario complete con aceite hasta llegar a la marca

del nivel máximo. **Atención: no exceda la marca de nivel máximo.**

• Instale el tapón 8 tal como se muestra en la figura 7.1. **Atención: el tapón 8 tiene una válvula especial que evita que aumente la presión dentro del cárter 19. Está estrictamente prohibido reemplazar el tapón 8 con el tapón 34 u otros objetos.**

• Para garantizar la distribución pareja de aceite en el cárter 19 en el primer arranque y después de un tiempo prolongado de inactividad, se recomienda dejar el artefacto funcionando sin carga durante 5 minutos. Para hacerlo, desatornille la válvula de drenaje 22 (como cuando drena la condensación, vea la descripción que sigue), tire también del aro de la válvula de seguridad 21 y sosténgalo, luego encienda el artefacto.



Para volver a llenar, use el aceite proporcionado con el artefacto. También puede usar aceite de motor, SAE30 (si el artefacto se usa a una temperatura por encima de los 10°C) o SAE10 (si el artefacto se usa a temperaturas por debajo de los 10°C). No mezcle aceites de distintos grados.

### Antes de utilizar el artefacto

- Asegurarse que la tensión concuerde con las especificaciones técnicas impresas en el artefacto.
- Verificar la condición del cable de alimentación y el cable de extensión; si se detecta algún daño, se debe reemplazar el cable.
- Revise la condición de la manguera de aire. Si está dañada, reemplácela.

---

## Encendido y apagado del artefacto

**Antes de conectar el artefacto a la red principal de alimentación asegúrese de que el interruptor de encendido / apagado 9 esté hacia abajo (Off).**

### Encendido:

Mueva el interruptor de encendido / apagado 9 hacia arriba (vea la fig. 8.1).

### Apagado:

Mueva el interruptor de encendido / apagado 9 hacia abajo (vea la fig. 8.2).

---

## Características de diseño del artefacto

### Encendido / apagado automático

Después del encendido, el artefacto funciona en un modo cíclico: el relé de presión 10 mantiene el valor constante de presión en el receptor 17, encienda / apague el artefacto dependiendo del consumo de aire comprimido por parte de las herramientas neumáticas conectadas. Al encender el artefacto, el aire es succionado a través del filtro de aire 18 e inyectado en el receptor 17 a través de la tubería 4. Cuando se alcanza el valor de presión máxima (el valor de este parámetro es fijado en fábrica), el relé de presión 10 se activa y se apaga el motor eléctrico. El exceso de aire de la tubería 4 y el cilindro 7 se descarga a través de la válvula. Por consiguiente no hay presión excesiva en el cilindro 7 y en la tubería 4, esto reducirá la carga en el motor eléctrico la próxima vez que se arranque

el artefacto. Si la presión dentro del receptor 17 desciende al valor mínimo, el motor eléctrico arranca y el artefacto comienza a bombear aire en el receptor 17 hasta que alcance el valor máximo. El artefacto operará en este modo siempre y cuando el interruptor de encendido / apagado 9 se encuentre hacia arriba (en la posición "On").

Si el artefacto no se apaga automáticamente cuando se alcanza la presión máxima, entonces el exceso de presión se descarga a través de la válvula de seguridad 21. En este caso, es necesario contactar inmediatamente a un taller de reparación dedicado de CROWN.

### Protección de temperatura

La protección de temperatura evita daño al artefacto y lo apaga en caso de cargas excesivas y sobrecalentamiento. Por ejemplo, al usar herramientas neumáticas cuyo consumo de aire excede la capacidad del artefacto o cuando el elemento del filtro 36 está tapado, etc. Esto protege al motor eléctrico de sobrecarga. Cuando la protección de temperatura esté activada, desenchufe el artefacto de la red de alimentación principal, elimine la causa que activó la protección, permita que el artefacto se enfríe y luego continúe trabajando.

### Ajuste de presión (vea la fig. 8)

El regulador de presión 14 le permite ajustar la presión de aire comprimido en el accesorio de salida 15, según se requiera.

- El manómetro 13 muestra el valor de presión fijado.
- Para aumentar la presión, gire el asa del regulador de presión 14 en sentido anti horario (vea la fig. 8).
- Para reducir la presión, gire el asa del regulador de presión 14 en el sentido horario.



**Atención: el diseño del artefacto permite el ajuste de la presión del aire comprimido sólo en el accesorio de salida 15. La presión en el accesorio de salida 12 es igual a la presión dentro del receptor 17 (el valor de la presión dentro del receptor 17 se muestra en el manómetro 11).**

---

## Recomendaciones sobre el funcionamiento del artefacto

### Antes de comenzar a trabajar

- Coloque el artefacto sobre una superficie horizontal plana (la pendiente permitida es de menos de 15°); esto garantizará la lubricación correcta de todas las piezas.
- Conecte las herramientas neumáticas al artefacto.
- Conecte el artefacto a la red principal de alimentación.
- Para los modelos CT36046 y CT36047: abra la válvula que se encuentra en el accesorio de salida 12 o 15 (dependiendo del que se ha usado para conectar la herramienta neumática).
- Al realizar trabajos relacionados con rociar líquidos, asegúrese de que ninguna gota de líquido alcance al artefacto.



- Si es necesario mover el artefacto durante el funcionamiento, desconéctelo de la red principal de alimentación y despresurice el receptor **17**, luego transpórtelo.
- En caso de ruidos laterales o vibraciones fuertes en la parte del artefacto, apáguelo inmediatamente y comuníquese con un centro de servicio de **CROWN**.

### Recomendaciones generales

- Encienda el artefacto.
- Utilizando el regulador de presión **14**, establezca la presión requerida para la operación.
- No sobrecargue el artefacto. El modo de funcionamiento del artefacto es intermitente, con el factor de duración cíclica de hasta el 55%, mientras que la duración de un ciclo es de 6-10 minutos. Se permite operar el dispositivo en forma continua durante 15 minutos, pero no más de una vez en un periodo de 1.5 horas.
- Cuando use el artefacto, controle el nivel de aceite en el cárter **19**; de ser necesario, agregue aceite.

### Después del funcionamiento

- Apague el artefacto.
- Desconecte el artefacto de la red principal de alimentación.
- Tire del aro de la válvula de seguridad **21** para despresurizar el receptor **17**.
- Drene la condensación del receptor **17**, tal como se describe a continuación.

## Mantenimiento del artefacto / medidas preventivas

**Antes de realizar cualquier procedimiento, asegúrese de apagar el artefacto, retirar el cable de corriente del enchufe y descargar la presión del receptor 17 (tirando del aro de la válvula de seguridad 21).**

### Limpieza del artefacto

Es necesario limpiar periódicamente la superficie externa del artefacto con un cepillo blando y un paño y soplar las piezas del artefacto con aire comprimido. No use sustancias cáusticas o solventes para limpiar el artefacto.

### Cambio de aceite (vea la fig. 6-7)

Después de las primeras 30 horas de funcionamiento del artefacto (y posteriormente, después de cada 150 horas de funcionamiento), es necesario cambiar el aceite. Si el compresor no se usa durante más de 12 meses, también se recomienda cambiar el aceite antes del funcionamiento.



**Atención: Si el aceite cambió de color (se volvió más claro: le ingresó agua; o se volvió más oscuro: se sobrecalentó) o hay impurezas extrañas en él, debe cambiarlo inmediatamente.**

- Coloque el artefacto sobre una superficie plana horizontal.
- Coloque un recipiente debajo del orificio de drenaje, para drenar en él el aceite usado (vea la fig. 7.2).

- Utilizando un paño, limpie el área alrededor del tapón **8** y desenrosquelo (vea la fig. 7.1).
- Utilizando un paño, limpie el área alrededor del tapón **3** y desenrosquelo, y espere que el aceite usado deje de fluir del orificio de drenaje. Enrosque el tapón **3** (vea la fig. 7.2).
- Vierta cuidadosamente el aceite en el cárter **19** (se recomienda usar un embudo). El nivel de aceite es el límite superior del punto rojo que se encuentra en el puerto de control **20** (vea la fig. 6.2). **Atención: No exceda la marca de nivel máximo.**
- Enrosque el tapón **8** (vea la fig. 7.1).

### Drenaje de la condensación (vea la fig. 9-10)

Después de cada uso o después de un día de trabajo, drene siempre la condensación del receptor **17**. Esto evita la corrosión dentro del receptor **17**.

- Coloque el artefacto sobre una superficie plana horizontal.
- Coloque un recipiente debajo de la válvula de drenaje **22**, en el que se drenará la condensación.
- Gire la válvula de drenaje **22** y espere hasta que se haya drenado por completo la condensación (el agua dejará de gotear la válvula **22**) (vea la fig. 9-10).
- Enrosque la válvula de drenaje **22**.

### Limpieza del filtro de aire (vea la fig. 11-12)

Examine regularmente el elemento de filtrado **36** del filtro de aire **18** (su contaminación depende del estado del entorno). Limpie (o reemplace) el elemento de filtrado cuando esté sucio, pero no antes de que hayan transcurrido 100 horas de uso del artefacto. El filtro de aire contaminado reduce el factor de eficiencia y contribuye a un mayor desgaste del artefacto.

- Coloque el artefacto sobre una superficie plana horizontal.
- Desenrosque el filtro de aire **18** (vea la fig. 11-12).
- Retire la cubierta **37** de la carcasa **35**.
- Retire el elemento de filtrado **36**.
- Para los modelos **CT36028**, **CT36029**: Lave el elemento de filtrado **36** con agua y jabón y séquelo bien.
- **Atención: No utilice combustible, solventes ni sustancias corrosivas para enjuagar el elemento de filtrado.**
- Para los modelos **CT36046**, **CT36047**: sople el elemento de filtrado **36** con aire comprimido.
- Si las impurezas del elemento de filtrado **36** son demasiado pesadas y no puede limpiarlo, reemplácelo. Está estrictamente prohibido utilizar el sin un filtro de aire.
- Arme el filtro de aire **18** y vuélvalo a instalar.

### Controle el estado del receptor.

Inspeccione regularmente el receptor **17** para detectar signos de daño o corrosión. Si el receptor **17** está dañado, se prohíbe realizar reparaciones independientes (ya sea mecánicamente o por soldadura). El receptor dañado **17** debe ser completamente reemplazado en un taller de reparación dedicado de **CROWN**.

### Servicio de post-venta y servicio de aplicaciones

Nuestro servicio de post-venta responde a sus preguntas sobre el mantenimiento y la reparación de su

producto, así como también sobre los repuestos. La información sobre los centros de servicio, los diagramas de las piezas y sobre los repuestos también se puede encontrar en: [www.crown-tools.com](http://www.crown-tools.com).

## Transporte del artefacto

- Mueva el artefacto sólo por el asa 1 o levantándolo y sosteniéndolo de la parte inferior. No mueva el artefacto por otras partes del mismo (tirando de las mangueras o del cable de alimentación, etc.).
- No transporte ni mueva el artefacto sin aliviar la presión del receptor 17.
- Está terminantemente prohibido dejarlas caer para que no se produzca ningún impacto mecánico en el embalaje durante el transporte.
- Cuando se descarguen / carguen, no se permite usar ningún tipo de tecnología que funcione bajo el principio de sujeción de embalajes.

## Protección del medio ambiente



**Atención:** No deseche el aceite usado así como también el condensado del receptor 17 en la tierra, en el suelo, en cuerpos de agua o en cloacas. El aceite usado debe recolectarse en un recipiente sellado y transferido a un punto de recolección para el procesamiento de desechos para su posterior descarte.



**Recicle las materias primas en lugar de eliminarlas como basura.**

El artefacto, los accesorios y el embalaje deben clasificarse para el reciclado que respete el medio ambiente.

Las piezas de material plástico están marcadas para un reciclado selectivo.

Estas instrucciones están impresas sobre papel reciclado sin la utilización de cloro.

El fabricante se reserva la posibilidad de incluir cambios.

Español

## Especificações do aparelho

Compressor de ar		CT36046	CT36028	CT36029	CT36047
Código do aparelho	[220-230 V ~50/60 Hz]	421463	421449	421456	421470
Potência nominal absorvida	[W] [HP]	750 1	1500 2	1500 2	1500 2
Amperagem na voltagem	220-230 V [A]	6	8	8	8
Velocidade nominal	[min <sup>-1</sup> ]	2800	2800	2800	2800
Capacidade do recetor de ar	[l]	9	25	50	50
Produtividade	[l/min]	80	135	135	110
Pressão de funcionamento	[MPa] [bar]	0,8 8	0,8 8	0,8 8	0,8 8
Peso	[kg] [lb]	13,8 30.42	22 48.5	28 61.73	27,9 61.51
Classe de protecção		I	I	I	I
Pressão sonora	[dB(A)]	—	—	—	—
Potência sonora	[dB(A)]	—	—	—	—
Vibrações	[m/s <sup>2</sup> ]	—	—	—	—

## Informações sobre ruído



Use protectores auditivos quando a potência sonora ultrapassar 85 dB(A).

## CE Declaração de conformidade

Declaramos sob nossa responsabilidade que o produto descrito em "Especificações do aparelho" se encontra em conformidade com todas as provisões relevantes das diretivas 2006/42/EC, incluindo respectivas correções, e encontra-se em conformidade com as seguintes normas: EN1012-1:2010.

Gestor de  
certificação

Wu Cunzhen

Merit Link International AG  
Stabio, Suíça, 20.01.2018

## Instruções gerais de segurança



**ATENÇÃO!** Leia estas instruções com atenção antes de usar o aparelho pela primeira vez, e siga todas as regras e recomendações especificadas. Guarde as instruções para futuras referências ou para um futuro proprietário.

Para além das precauções de segurança aqui apresentadas, tenha em conta as normas gerais de segurança legal e linhas de orientação de prevenção contra acidentes.

As placas de avisos e do tipo existentes no aparelho contém informação importante, necessária para um funcionamento seguro.

## Recomendações de segurança elétrica

- As ligações elétricas só deverão ser efetuadas por um electricista qualificado, de acordo com os requerimentos da IEC 60364-1.
- Se a ficha da alimentação não corresponder à tomada usada, o técnico de reparação deverá cortar a ficha e substituí-la por uma adequada. Se a ficha original tiver um dispositivo de proteção incorporado, a ficha de substituição deverá ter um dispositivo de proteção com as mesmas características. A ficha cortada deverá ser eliminada, para evitar choques elétricos, e não deverá ser ligada a uma tomada.
- Recomendamos que ligue o aparelho apenas a uma tomada equipada com um disjuntor de 30 mA.
- O dispositivo só deverá ser ligado à alimentação AC. A voltagem deverá corresponder aos dados na placa das especificações.
- Não toque na ficha ou na tomada com as mãos molhadas.
- Verifique se o fio da alimentação ou a ficha têm danos, antes da utilização. Não utilize o aparelho no caso de ficha ou fio danificados. Contacte o nosso serviço de apoio ao cliente ou um electricista qualificado.

- Se usar uma extensão, a ficha, tomada e fio deverão estar totalmente revestidos, à prova de salpicos e ser adequados para uso no exterior.
- Certifique-se de que o fio da alimentação e a extensão não ficam danificados por passarem por cima destes, devido a apertões, por serem esticados, etc. Proteja os fios da alimentação do calor, produtos com óleo e de danos devido a extremidades afiadas.
- Quando efetuar qualquer reparação ou manutenção, desligue o aparelho e retire a ficha da tomada.
- Retire sempre a ficha da tomada quando deixar o aparelho sem supervisão.
- Uma extensão inadequada pode ser perigosa. Só pode usar extensões aprovadas para uso no exterior e com uma secção cruzada suficiente:
  - comprimento do fio: 1-10 m, secção cruzada: 1,5 mm<sup>2</sup>;
  - comprimento do fio: 10-30 m, secção cruzada: 2,5 mm<sup>2</sup>;
  - comprimento do fio: 30-50 m, secção cruzada: 4 mm<sup>2</sup>.
- Enrole sempre o fio por completo, para evitar fogo devido ao sobreaquecimento do fio.

### Instruções para um funcionamento seguro

- Use o aparelho apenas para os intuitos para que foi criado. Quando utilizar o aparelho, siga as normas locais tendo em conta as pessoas que se encontrem por perto.
- A utilização do aparelho por parte de crianças é estritamente proibida. Não permita que crianças brinquem com o aparelho.
- O aparelho só pode ser usado por pessoas que tiveram formação para isso.
- A utilização do aparelho por parte de pessoas (incluindo crianças) com capacidades físicas, sensoriais ou mentais limitadas é estritamente proibida, a não ser que sejam supervisionadas ou ensinadas a utilizar o aparelho por parte de pessoas responsáveis pela sua segurança.
- Permaneça concentrado e não se estique quando utilizar o aparelho. Não utilize o aparelho se se sentir cansado ou estiver sob o efeito de drogas, álcool ou medicação. A perda de atenção durante a utilização pode causar lesões sérias.
- Não utilize o aparelho durante trovoadas ou tempestades, especialmente no caso de ser atingido por um trovão.
- Use o aparelho apenas na vertical. Não o cubra durante o funcionamento, para garantir uma ventilação suficiente e evitar o sobreaquecimento.
- Garanta a estabilidade do aparelho antes de efetuar quaisquer operações, de modo a evitar acidentes ou danos devido a quedas. É estritamente proibido usar o aparelho em altura, por exemplo, instalando-o num andaime ou escadote, ou pendurando-o.
- Tenha cuidado quando usar o aparelho. Nunca aponte um jato de ar comprimido contra pessoas ou animais. Use equipamento de proteção pessoal (óculos, máscara respiratória, luvas, etc.).
- Não use ar comprimido para limpar roupa. Não inale ar comprimido.
- Não modifique o design de modo a que a pressão máxima permitida possa ser excedida. Não exceda a pressão máxima de funcionamento.

- Nunca exceda a pressão máxima permitida para o equipamento que será ligado ao aparelho.
- Não use o aparelho com temperaturas inferiores a 5°C.
- Mova o aparelho usando apenas pegas de transporte. Nunca use uma mangueira de ar para mover o aparelho.
- Não transporte nem mova o aparelho sem aliviar a pressão do recetor.
- Tenha cuidado quando utilizar o aparelho, pois algumas das suas partes podem ficar muito quentes.
- Não utilize substâncias inflamáveis ou corrosivas para limpar o aparelho.
- Preste atenção ao estado do recetor. Se o recetor ficar danificado ou se for detetada uma fuga de ar, desligue imediatamente o aparelho e alivie a pressão do ar do recetor.
- É estritamente proibido usar o aparelho com um recetor danificado. A reparação e sucessivas utilizações do recetor não são permitidas. Um recetor danificado tem de ser reparado.
- Antes de efetuar a manutenção ou reparação, certifique-se de que o aparelho está desligado da alimentação.
- Após cada utilização, tem de aliviar a pressão do ar do recetor e drenar a condensação dele.
- Não utilize o aparelho com dispositivos de proteção danificados ou desmontados. Nunca use o aparelho se não estiver devidamente equipado ou se tiver sido sujeito a modificações sem autorização.
- O funcionamento do aparelho presume o funcionamento contínuo sem supervisão do utilizador, por isso, certifique-se de que o aparelho é instalado afastado de substâncias inflamáveis e que nenhum fator externo evita o seu arrefecimento normal (a distância mínima de quaisquer objetos ou paredes até ao aparelho é de 50 cm).
- É proibido usar o aparelho em locais com atmosferas poeirentas, bem como em atmosferas que contenham gases explosivos ou vapores de substâncias agressivas.
- O aparelho foi criado apenas para a compressão de ar. Não o use com outros intuitos.
- Não use o ar comprimido produzido pelo aparelho com intuitos médicos ou farmacêuticos.
- Estes aparelhos não são adequados para encher botijas de mergulho.
- Não toque no aparelho em funcionamento com as mãos molhadas.
- A utilização do aparelho com vários intuitos (enchimento, alimentação de ferramentas pneumáticas e aparelhos que usem a energia do ar comprimido, pintura, lavagem, etc.) presume que o utilizador tem consciência das regras de segurança para cada caso em específico.
- Quando a operação terminar, espere até que o aparelho arrefeça e só depois disso é que pode ser coberto com uma cobertura de proteção.

### Outros perigos

- Não use o aparelho em atmosferas explosivas, por exemplo, na presença de vapores de líquidos ou gases inflamáveis, partículas de substâncias combustíveis na forma de poeiras.
- Não aponte o jato de ar comprimido para superfícies que contenham substâncias nocivas para a saúde (por exemplo, amianto).

- Tenha em conta o peso do aparelho quando selecionar o local de armazenamento e durante o transporte (consulte a tabela "Especificações do aparelho"), para evitar acidentes ou lesões.

### Manutenção do aparelho

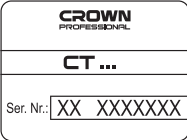




- A manutenção do seu aparelho tem de ser efetuada por pessoal qualificado usando as peças sobresselentes recomendadas. Isto garante a preservação da segurança do seu aparelho.
- Siga as instruções de lubrificação e recomendações de substituição de acessórios.







### Riscos residuais


- Mesmo que use o aparelho de acordo com todos os requisitos de segurança, continua a haver potenciais riscos de lesões ou danos. Devido às características específicas do design do aparelho, podem aparecer os seguintes perigos:
  - risco de lesões e danos materiais devido a objetos atirados pelo ar comprimido;
  - lesões ou danos físicos devido a acessórios danificados ou um impacto repentino contra objetos escondidos durante a operação.




### Símbolos usados no manual

Os símbolos apresentados a seguir são usados no manual de utilização. Lembre-se do seu significado. A interpretação correta dos símbolos permite uma utilização correta e segura do aparelho.

Símbolo	Significado
 <p><b>CROWN</b> PROFESSIONAL</p> <p>CT ...</p> <p>Ser. Nr.: XX XXXXXXXX</p>	<p><b>Autocolante do número de série:</b> CT ... - modelo; XX - data de fabrico; XXXXXXX - número de série.</p>
	Leia todos os avisos de segurança e todas as instruções.
	Use óculos de proteção.
	Use proteções auditivas.
	Use máscara respiratória.

Símbolo	Significado
	Desligue a ferramenta elétrica da alimentação antes da instalação ou ajuste.
	Não trabalhe à chuva nem à neve.
	Direção do movimento.
	Direção de rotação.
	Bloqueado.
	Desbloqueado.

I	Classe de proteção.
	Um sinal a certificar que o produto se encontra em conformidade com os requerimentos essenciais das diretivas da UE e normas harmonizadas da UE.

	Atenção. Importante.
	Informação útil.
	Não elimine o aparelho juntamente com o lixo doméstico comum.

### Designação do aparelho

O compressor foi criado para alimentar várias ferramentas pneumáticas, dispositivos e aparelhos com ar comprimido.

A utilização do compressor permite poupar energia elétrica, mecanizar o trabalho e aumentar a velocidade do trabalho.

Várias ferramentas pneumáticas expandem significativamente o âmbito das aplicações do compressor, o que possibilita efetuar trabalhos como perfurar, cinzelar, bombear, pintar e lavagem que envolva detergentes pulverizados, etc.

## Componentes do aparelho

- 1 Pega de transporte
- 2 Roda \*
- 3 Tampa de drenagem do óleo
- 4 Tubagem
- 5 Fixador de borracha \*
- 6 Estrutura
- 7 Cilindro
- 8 Tampa da válvula
- 9 Interruptor de ligar / desligar
- 10 Relé da pressão (pressostato)
- 11 Manômetro do recetor
- 12 Encaixe de saída (pressão não regulada)
- 13 Manômetro da pressão regulada
- 14 Regulador da pressão
- 15 Encaixe de saída (pressão regulada)
- 16 Válvula de verificação
- 17 Recetor
- 18 Conjunto do filtro do ar
- 19 Cárter
- 20 Janela de monitorização do nível do óleo
- 21 Válvula de segurança
- 22 Válvula de drenagem
- 23 Garrafa do óleo \*
- 24 Encaixe \*
- 25 Porca para instalar o fixador de borracha \*
- 26 Parafuso para instalar o fixador de borracha \*
- 27 Anilha para instalar o fixador de borracha \*
- 28 Pino de instalação da roda \*
- 29 Anilha de instalação da roda \*
- 30 Porca de instalação da roda \*
- 31 Mangueira \*
- 32 Fixador da mangueira \*
- 33 Encaixe de mudança rápida \*
- 34 Tampa \*
- 35 Estrutura do filtro do ar
- 36 Elemento do filtro \*
- 37 Cobertura do filtro do ar

\* Acessórios

Nem todos os acessórios apresentados nas ilustrações ou descritos no texto fazem parte das peças fornecidas.

## Instalação e afinação dos elementos do aparelho

Antes de quaisquer procedimentos, certifique-se de que desliga o aparelho, retire o fio da alimentação da tomada e descarregue a pressão no recetor 17 (puxando o anel da válvula de segurança 21).



**Não aperte demasiado os elementos de aperto, para evitar danificar a rosca.**



**A montagem / desmontagem / preparação de alguns elementos é a mesma para todos os modelos de aparelhos. Neste caso, os modelos específicos não são indicados na ilustração.**

## Montagem / desmontagem dos fixadores de borracha (consulte a imagem 1-2)

- Instale os fixadores de borracha **5** conforme apresentado na imagem 1-2.
- Desmonte pela ordem inversa.

## Montagem / desmontagem das rodas (consulte a imagem 3)

[CT36028, CT36029, CT36047]

- Instale as rodas **2** conforme apresentado na imagem 3.
- Desmonte pela ordem inversa.

## Ligar / desligar a mangueira do ar (consulte a imagem 4-5)

[CT36046, CT36047]

- Fixe o fixador da mangueira **32** na extremidade da mangueira **31** (consulte a imagem 4.1).
- Instale o encaixe **24**.
- Aperte o parafuso do fixador da mangueira **32**.
- Quando efetuar a ligação, enrosque o encaixe **24** no encaixe de saída **12** ou **15** (consulte a imagem 4.2).
- Quando desligar, desenrosque o encaixe **24**.

[CT36028, CT36029]

- Quando ligar, insira (até ouvir um clique) o encaixe de mudança rápida **33** no encaixe de saída **12** ou **15** (consulte a imagem 5.1).
- Quando desligar, mova o casquilho da ligação de mudança rápida, conforme apresentado na imagem 5.2, e retire o encaixe de mudança rápida **33**.

## Funcionamento inicial do aparelho

### Enchimento com óleo (consulte a imagem 6-7)



**Atenção:** O fabricante do aparelho não enche o cárter **19** com óleo, de modo a manter a conformidade com as condições técnicas de transporte. Assim, antes da utilização, tem de encher o aparelho com óleo da marca recomendada. A utilização do aparelho sem óleo no cárter **19**, ou com um nível de óleo inferior ao mínimo dará origem a danos no aparelho. Neste caso, perde o direito à reparação ao abrigo da garantia.

- Coloque o aparelho numa superfície plana e horizontal.
- Limpe a área em redor do orifício do óleo com um pano e retire a tampa **34** (consulte a imagem 6.1).
- Deite cuidadosamente o óleo no cárter **19** (recomendamos que use um funil). O nível do óleo é o limite superior do ponto vermelho na janela de monitorização **20** (consulte a imagem 6.2). Espere 5 minutos e depois verifique de novo o nível do óleo. Se necessário, encha até à marca de nível máximo. **Atenção:** Não exceda a marca do nível máximo.
- Instale a tampa **8**, conforme apresentado na imagem 7.1. **Atenção:** A tampa **8** tem uma válvula especial que evita que a pressão aumente dentro do



## **cárter 19. É estritamente proibido substituir a tampa 8 pela tampa 34 ou outros objetos.**

• Para garantir uma distribuição uniforme do óleo do cárter **19** na primeira ligação e após um longo período de tempo inativo, recomendamos que deixe o aparelho funcionar sem carga durante 5 minutos. Para isso, desenrosque a válvula de drenagem **22** (como quando drena a condensação, consulte a descrição em baixo), puxe também pelo anel da válvula de segurança **21** e segure. De seguida, ligue o aparelho.



Para reabastecer, use o óleo fornecido com o aparelho. Também pode usar óleo do motor - SAE30 (caso o aparelho seja usado a uma temperatura superior a 10°C) ou SAE10 (caso o aparelho seja usado a uma temperatura inferior a 10°C). Não misture óleos de qualidades diferentes.

### **Antes de utilizar o aparelho**

- Certificar-se de que a voltagem corresponde às características técnicas impressas no aparelho.
- Verificar o estado do fio da alimentação e da extensão. Se encontrar danos, o fio deverá ser substituído.
- Verifique o estado da mangueira do ar. Se estiver danificada, substitua-a.

## **Ligar / desligar o aparelho**

**Antes de ligar o aparelho à alimentação, certifique-se de que o interruptor de ligar / desligar 9 se encontra para baixo (Off).**

### **Ligar:**

Mova o interruptor de ligar / desligar **9** para cima (consulte a imagem 8.1).

### **Desligar:**

Mova o interruptor de ligar / desligar **9** para baixo (consulte a imagem 8.2).

## **Características de design do aparelho**

### **Ligar / desligar automático**

Após ligar, o aparelho funciona em modo cíclico: O relé da pressão **10** mantém a válvula da pressão constante no recetor **17**, ligando / desligando o aparelho dependendo do consumo de ar comprimido ligado a ferramentas pneumáticas. Quando o aparelho está a ser ligado, o ar é aspirado através do filtro do ar **18** e injetado no recetor **17** através da tubagem **4**. Quando o valor máximo da pressão (o valor deste parâmetro é definido de fábrica) é atingido, o relé da pressão **10** é ativado e o motor elétrico é desligado. O ar em excesso da tubagem **4** e do cilindro **7** é descarregado através da válvula. Assim, não há pressão em excesso no cilindro **7** nem na tubagem **4**. Isto reduz a carga no motor elétrico da próxima vez que o aparelho for ligado. Se a pressão dentro do recetor **17** descer para o valor mínimo, o motor elétrico é ligado e o aparelho começa a bombear ar para o recetor **17** até atingir o valor máximo. O aparelho funciona neste modo enquanto o interruptor de ligar / desligar **9** estiver na posição para cima ("On").

Se o aparelho não desligar automaticamente quando a pressão máxima for atingida, a pressão em excesso

é eliminada através da válvula de segurança **21**. Neste caso, tem de contactar imediatamente um centro de reparação autorizado da **CROWN**.

### **Proteção da temperatura**

A proteção da temperatura evita danos no aparelho, desligando-o quando houver cargas em excesso e sobreaquecimento. Por exemplo, quando usar ferramentas pneumáticas cujo consumo de ar exceda a capacidade do aparelho, ou quando o elemento do filtro **36** estiver obstruído, etc. Isto protege o motor elétrico contra sobrecargas. Quando a proteção da temperatura estiver ativada, desligue o aparelho da alimentação, elimine a causa que ativou a proteção, deixe o aparelho arrefecer e depois continue a trabalhar.

### **Ajuste da pressão (consulte a imagem 8)**

O regulador da pressão **14** permite que ajuste a pressão do ar comprimido no encaixe de saída **15**, conforme necessário.

- O manómetro **13** apresenta o valor da pressão definida.
- Para aumentar a pressão, rode a pega do regulador da pressão **14** no sentido inverso ao dos ponteiros do relógio (consulte a imagem 8).
- Para reduzir a pressão, rode a pega do regulador da pressão **14** no sentido dos ponteiros do relógio.



**Atenção: O design do aparelho permite o ajuste da pressão do ar comprimido apenas no encaixe de saída 15. A pressão no encaixe de saída 12 é igual à pressão no interior do recetor 17 (o valor da pressão dentro do recetor 17 é apresentado no manómetro 11).**

## **Recomendações sobre o funcionamento do aparelho**

### **Antes de iniciar o trabalho**

- Coloque o aparelho numa superfície plana e horizontal (com uma inclinação permitida inferior a 15°). Isto garante uma lubrificação adequada das peças.
- Ligue as ferramentas pneumáticas ao aparelho.
- Ligue o aparelho à alimentação.
- Para os modelos **CT36046** e **CT36047** - Abra a válvula no encaixe de saída **12** ou **15** (dependendo de onde ligou a ferramenta pneumática).
- Quando efetuar trabalhos relacionados com a pulverização de líquidos, certifique-se de que não entram gotas de líquido no aparelho.
- Se tiver de mover o aparelho durante a operação, desligue-o da alimentação e elimine a pressão do recetor **17**. Depois, proceda ao transporte.
- Se reparar em sons residuais ou fortes vibrações por parte do aparelho, desligue-o imediatamente e contacte o centro de reparação da **CROWN**.

### **Recomendações gerais**

- Ligue o aparelho.
- Com o regulador da pressão **14**, defina a pressão necessária para a operação.
- Não sobrecarregue o aparelho. O modo de funcionamento do aparelho é intermitente com o fator de du-

ração cíclica em até 55%, enquanto a duração de um ciclo é de 6-10 minutos. Pode utilizar continuamente o dispositivo durante 15 minutos, mas não mais do que uma vez no espaço de 1,5 horas.

• Quando usar o aparelho, monitore o nível do óleo no cárter **19**, e adicione óleo, se necessário.

### Após completar a operação

- Desligue o aparelho.
- Desligue o aparelho da alimentação.
- Puxe o anel da válvula de segurança **21** e despressurize o recetor **17**.
- Drene a condensação do recetor **17**, conforme descrito em baixo.

## Manutenção do aparelho / medidas preventivas

**Antes de quaisquer procedimentos, certifique-se de que desliga o aparelho, retire o fio da alimentação da tomada e descarregue a pressão no recetor **17** (puxando o anel da válvula de segurança **21**).**

### Limpar o aparelho

Tem de limpar periodicamente a superfície exterior do aparelho com uma escova suave e um pano, e soprar as partes do aparelho com ar comprimido. Não use substâncias cáusticas nem solventes para limpar o aparelho.

### Mudar o óleo (consulte a imagem 6-7)

Após as primeiras 30 horas de funcionamento do aparelho (e depois após cada 150 horas de funcionamento), tem de mudar o óleo. Se o compressor não for usado durante mais de 12 meses, também recomendamos que mude o óleo antes da operação.



**Atenção: Se o óleo mudar de cor (ficar mais claro - entrou água; ficar mais escuro - sobreaqueceu) ou se houver impurezas estranhas, tem de o mudar imediatamente.**

- Coloque o aparelho numa superfície plana e horizontal.
- No orifício de drenagem, coloque um recipiente, para onde vai drenar o óleo usado (consulte a imagem 7.2).
- Com um pano, limpe a área em redor da tampa **8** e desenrosque (consulte a imagem 7.1).
- Com um pano, limpe a área em redor da tampa **3** e desenrosque-a. Espere até que o óleo usado pare de escorrer para fora do orifício de drenagem. Volte a enroscar a tampa **3** (consulte a imagem 7.2).
- Deite cuidadosamente o óleo no cárter **19** (recomendamos que use um funil). O nível do óleo é o limite superior do ponto vermelho na janela de monitorização **20** (consulte a imagem 6.2). **Atenção: Não exceda a marca do nível máximo.**
- Volte a enroscar a tampa **8** (consulte a imagem 7.1).

### Drenar a condensação (consulte a imagem 9-10)

Após cada utilização ou após o dia de trabalho, drene sempre a condensação do recetor **17**. Isto evita a corrosão dentro do recetor **17**.

• Coloque o aparelho numa superfície plana e horizontal.

• Coloque um recipiente por baixo da válvula de drenagem **22**, para onde irá drenar a condensação.

• Desenrosque a válvula de drenagem **22** e espere até que a condensação tenha sido drenada por completo (a água pára de pingar da válvula **22**) (consulte a imagem 9-10).

• Enrosque a válvula de drenagem **22**.

### Limpeza do filtro do ar (consulte a imagem 11-12)

Inspecione regularmente o elemento do filtro **36** do filtro do ar **18** (a contaminação deste depende do estado do ambiente). Limpe (ou substitua) o elemento do filtro, pois fica sujo, pelo menos após 100 horas de utilização do aparelho. Um filtro do ar sujo reduz a eficiência e contribui para uma maior depreciação do aparelho.

• Coloque o aparelho numa superfície plana e horizontal.

• Desenrosque o filtro do ar **18** (consulte a imagem 11-12).

• Retire a cobertura **37** da estrutura **35**.

• Retire o elemento do filtro **36**.

• Para os modelos **CT36028**, **CT36029**: Lave o elemento do filtro **36** com água e sabão, e seque bem.

**Atenção: Não use gasolina, solventes, ou substâncias corrosivas para lavar o elemento do filtro.**

• Para os modelos **CT36046**, **CT36047**: Sobre o elemento do filtro **36** com ar comprimido.

• Se as impurezas do elemento do filtro **36** forem muito grandes e não puderem ser limpas, substitua-o. É estritamente proibido usar o aparelho sem um filtro do ar.

• Monte o filtro do ar **18** e volte a instalá-lo.

### Verificar o estado do recetor

Inspecione regularmente o recetor **17** quanto a sinais de danos ou corrosão. Se o recetor **17** ficar danificado, é proibido efetuar reparações sozinho (mecânicas ou por solda). O recetor **17** danificado tem de ser substituído por completo num centro de reparação autorizada da **CROWN**.

### Serviço pós-venda e serviço de aplicação

O nosso serviço pós-venda responde às suas perguntas relativas à manutenção e reparação do seu produto, bem como peças sobresselentes. A informação acerca dos centros de reparação, diagramas das peças e informação sobre peças sobresselentes também pode ser encontrada em: [www.crown-tools.com](http://www.crown-tools.com).

### Transporte dos aparelhos

• Mova o aparelho apenas pela pega **1** ou segurando e suportando no fundo. Não mova o aparelho segurando pelas outras peças (puxando as mangueiras ou o fio da alimentação, etc.).

• Não transporte nem mova o aparelho sem aliviar a pressão do recetor **17**.

• Nunca permita que a caixa sofra qualquer impacto mecânico durante o transporte.

• Quando carregar / descarregar, não use qualquer tipo de tecnologia que funcione com o princípio de fixação da caixa com pinças.



---

## Protecção ambiental



**Atenção:** Não elimine o óleo usado, nem a condensação do recetor 17 para o chão, água ou esgotos públicos. O óleo usado tem de ser recolhido para um recipiente hermético e transferido para um centro de recolha de resíduos, para futura eliminação.



## Reciclagem de matérias primas em vez de eliminação de lixo.

O aparelho, acessórios e material de empacotamento deverão ser divididos, para que se faça uma reciclagem amigável do ambiente. Para efeitos de uma reciclagem específica, as peças de plástico dispõem de uma respectiva marcação. Estas instruções foram riadas com papel reciclável isento de cloro.

## Aletin teknik özellikleri

Hava kompresörü		CT36046	CT36028	CT36029	CT36047
Aletin kodu	[220-230 V ~50/60 Hz]	421463	421449	421456	421470
Giriş gücü	[W] [HP]	750 1	1500 2	1500 2	1500 2
Gerilimdeki akım	220-230 V [A]	6	8	8	8
Nominal hız	[dk <sup>-1</sup> ]	2800	2800	2800	2800
Hava deposunun kapasitesi	[l]	9	25	50	50
Üretkenlik	[l/dak]	80	135	135	110
Çalışma basıncı	[MPa] [bar]	0,8 8	0,8 8	0,8 8	0,8 8
Ağırlık	[kg] [pound]	13,8 30.42	22 48.5	28 61.73	27,9 61.51
Emniyet sınıfı		I	I	I	I
Ses basıncı	[dB(A)]	—	—	—	—
Akustik güç	[dB(A)]	—	—	—	—
Ağırlıklı titreşim	[m/s <sup>2</sup> ]	—	—	—	—

## Gürültü bilgisi



Eğer ses basıncı 85 dB(A) değerini aşarsa her zaman kulak koruyucu takınız.

## CE Uyumluluk beyanati

Tek sorumlu olarak, "Aletin teknik özellikleri" çerçevesinde tanımlanan ürünün, bunlar üzerinde yapılmış ve yapılacak tadiller de dahil olmak üzere 2006/42/AT sayılı yönergelerin ilgili hükümlerinin tümüne uygun olduğunu ve aşağıdaki standartlara uygunluk arz ettiğini beyan ederiz: EN1012-1:2010.

Onay müdürü

Wu Cunzhen

Merit Link International AG  
Stabio, İsviçre, 20.01.2018

## Genel güvenlik talimatları



**DİKKAT!** Cihazın ilk kullanımı öncesinde bu talimatları dikkatle okuyun ve burada belirtilen tüm kural ve tavsiyelere uyun. Orijinal talimatları ileride tekrar başvurmak üzere ya da cihazın gelecekteki sahibi için saklayın.

Bu kapsamda yer alan güvenlik tedbirlerinin yanı sıra, genel yasal güvenlik mevzuatını ve kaza önleme ilkelerini de gözetin.

Cihaz üzerindeki ikaz levhaları ve tip levhaları, güvenli çalıştırma için gereklilik arz eden önemli bilgiler içermektedir.

## Elektriksel güvenlik tavsiyeleri

- Elektrik bağlantıları yalnızca IEC 60364-1 gereklilikleri çerçevesinde gerekli niteliklere sahip bir elektrik teknisyeni tarafından yapılmalıdır.
- Güç kablosu fişi kullanılan prizle eşleşmiyorsa, servis teknisyeni bu fişi sökerek uygun bir fişle değiştirmelidir. Orijinal fişte dahili bir koruma cihazı bulunduğu takdirde, ikame fişte de aynı özelliklere sahip bir koruma cihazı mevcut olmalıdır. Sökülen fiş elektrik çarpmasının önlenmesi amacıyla bertaraf edilmeli ve herhangi bir prize bağlanmamalıdır.
- Aletin, yalnızca 30 mA devre kesici ile donatılmış bir prize bağlanması tavsiye edilir.
- Alet yalnızca AC şebekesine bağlanacaktır. Gerilim, tip levhasındaki verilere uygun olacaktır.
- Fiş ya da prize elleriniz ıslakken dokunmayın.
- Aleti çalıştırmadan önce güç kablosu ve fişte bir hasar olup olmadığını kontrol edin. Hasarlı bir fiş veya güç kablosu söz konusu olduğu takdirde aleti çalıştırmayın. Bu durumda müşteri hizmetlerimizle ya da vasıflı bir elektrik teknisyeniyle iletişime geçin.
- Uzatma kablosu kullanıldığı hallerde, uzatma kablosunun fişi, prizi ve güç kablosu tamamen kapalı, sıçrama korumalı ve dış mekanda kullanıma uygun olmalıdır.

Türkçe

- Güç kablosunun ve uzatma kablolarının takılma, ezilme, gerilme vb. yoluyla hasar görmediğinden emin olun. Güç kablolarını ısı, petrol ürünleri ve keskin kenarlardan kaynaklanacak hasarlardan koruyun.
- Herhangi bir servis veya bakım yapılırken, aleti kapatın ve elektrik fişini prizden çekin.
- Aletin gözetimsiz bırakılacağı hallerde, daima aleti kapatarak şebeke bağlantısını kesin.
- Uygun nitelikte olmayan uzatma kabloları tehlike arz edebilir. Dış mekanlarda yalnızca kullanımı onaylanmış ve uygun işaretleri taşıyan, yeterli tel kesit alanına sahip uzatma kabloları kullanılabilir:
  - kablo uzunluğu: 1-10 m, kesit alanı: 1,5 mm<sup>2</sup>;
  - kablo uzunluğu: 10-30 m, kesit alanı: 2,5 mm<sup>2</sup>;
  - kablo uzunluğu: 30-50 m, kesit alanı: 4 mm<sup>2</sup>.
- Kablonun aşırı ısınmasından kaynaklı çıkabilecek yangınları önlemek için kabloyu daima tamamen sarın.

## Güvenlik çalıştırma talimatları

- Aleti yalnızca amacına uygun biçimde kullanın. Aleti çalıştırırken yakınındaki diğer kişilere ilişkin olarak yerel mevzuata uygun hareket edin.
- Aletin çocuklarca çalıştırılması kesinlikle yasaktır. Çocukların aletle oynamasına izin vermeyin.
- Alet yalnızca ilgili çalıştırma eğitiminden geçmiş kişilerce kullanılabilir.
- Aletin sınırlı fiziksel, duygusal veya zihinsel kapasiteye sahip kişiler tarafından (çocuklar dahil olmak üzere) çalıştırılması, aletin çalıştırılması konusunda güvenliklerinden sorumlu kişinin (kişilerin) denetimi ya da talimatı altında bulunmadıkları takdirde, kesinlikle yasaktır.
- Aletin çalıştırılması sırasında, her hareketinizde konsantrasyonunuzu koruyun ve bilinçli hareket edin. Yorgun hissettiğiniz takdirde ya da uyuşturucu, alkol veya ilaç tesiri altında bulunduğunuz sırada aleti kullanmayın. Aletin çalıştırılması sırasında dikkat kaybı ciddi yaralanmalara neden olabilir.
- Aleti gök yıldırımlı fırtına ya da ağır yağış altında, özellikle de yıldırım çarpmasının yaşandığı hallerde çalıştırmayın.
- Aleti yalnızca dikey konumda kullanın; çalışma sırasında yeterli havalandırma sağlamak ve aşırı ısınmayı önlemek için aleti örtmeyin.
- Devrilmenin yol açabileceği kazaları veya hasarları önlemek için herhangi bir işleme başlamadan önce cihazın dengede olduğundan emin olun. Cihazı yapı iskelesi veya merdiven gibi yüksek bir yerde veya asarak kullanmak kesinlikle yasaktır.
- Cihazı kullanırken dikkatli olun. İnsanlara veya hayvanlara asla basınçlı hava doğrultmayın. Kişisel koruyucu ekipman (gözlük, solunum aygıtı, eldiven, vb.) kullanın.
- Kıyafetleri temizlemek için basınçlı hava kullanmayın. Basınçlı havayı içinize çekmeyin.
- Maksimum izin verilen basıncı aşabilececek şekilde bir tasarımı değişikliği yapmayın. Maksimum çalışma basıncını aşmayın.
- Cihazı bağlanacak ekipman için maksimum izin verilen basıncı asla aşmayın.
- Cihazı 5°C'nin altındaki sıcaklıklarda kullanmayın
- Cihazı yalnızca taşıma tutamaklarını kullanarak hareket ettirin. Cihazı hareket ettirmek için asla hava hortumunu kullanmayın.
- Depodan basıncı tahliye etmeden cihazı taşımayın veya hareket ettirmeyin.

- Bazı parçaları sıcak olabileceği için cihazı çalıştırırken dikkatli olun.
  - Cihazı temizlemek için alev alıcı veya aşındırıcı maddeler kullanmayın.
  - Cihazın durumuna dikkat edin: depo hasarlanırsa veya herhangi bir hava sızıntısı algılanırsa, cihazı derhal kapatın ve depodaki hava basıncını tahliye edin.
  - Cihazı hasarlı bir depoya kullanmak kesinlikle yasaktır. Deponun tamir edilmesine ve daha fazla kullanılmasına izin verilmez - hasarlı bir depo mutlaka değiştirilmelidir.
  - Bakım veya tamir öncesinde cihazın güç kaynağı bağlantısının kesildiğinden emin olun.
  - Her kullanımdan sonra depodaki hava basıncının tahliye edilmesi ve depodan yoğunlaşma sıvısının boşaltılması gerekmektedir.
  - Cihazı hasarlı veya demonte edilmiş koruyucu cihazlarla çalıştırmayın. Düzgün bir şekilde donatılmış veya izinsiz bir şekilde değişikliğe uğramış bir cihazı asla kullanmayın.
  - Cihazın işleyiş prensibi, kullanıcı tarafından eşlik edilmeden sürekli bir şekilde çalışma üzerindedir. Bu yüzden cihazın alev alıcı maddelerden ve normal soğutmasını önleyecek herhangi bir dış etkenden uzakta kurulduğundan emin olun (cihazın herhangi bir cisimden veya duvarlardan olan minimum uzaklığı 50 cm'dir).
  - Cihazın tozlu bir ortamın yanı sıra patlayıcı gazlar ve aşındırıcı madde buharları içeren bir ortamda kullanılması yasaktır.
  - Cihaz sadece hava basınçlandırma için tasarlanmıştır. Cihazı başka amaçlar için kullanmayın.
  - Cihaz tarafından üretilen basınçlı havayı tıbbi veya eczacılık amaçlı kullanmayın.
  - Bu cihazlar dalgı tüplerini doldurmak için uygun değildir.
  - Çalışan cihaza ıslak ellerle dokunmayın.
  - Cihazın çeşitli amaçlar (şişirme, basınçlı hava enerjisini kullanarak pnömatik aletlere ve cihazlara güç verme, renklendirme, yıkama, vb.) için kullanımı, kullanımının her ayrı durum için emniyet kurallarının farkında olduğunuzu garanti eder.
  - İşlem tamamlandıktan sonra cihazın soğumasını bekleyin ve yalnızca soğuduktan sonra cihaz örtülebilir veya üzerine koruyucu bir kapak konulabilir.
- ## Diğer tehlikeler
- Cihazı, alev alıcı gaz buharlarının veya sıvıların ya da toz halindeki yanıcı madde parçacıklarının bulunduğu patlayıcı ortamlarda kullanmayın.
  - Basınçlı havayı sağlığa zararlı maddeler (örneğin asbest) içeren yüzeylere doğrultmayın.
  - Kazaları veya yaralanmaları önlemek için depolanması ve taşınması (bkz. "Cihazın teknik özellikleri" tablosu) için yer seçerken cihazın ağırlığını dikkate alın.
- ## Cihazın bakımı
- Cihazınızın bakımı, önerilen yedek parçaları kullanarak nitelikli personel tarafından gerçekleştirilmelidir. Bu, cihazınızın emniyetinin korunmasını sağlayacaktır.
  - Aksesuarları değiştirmek için yağlama talimatlarına ve önerilerine uyun.
- ## Artık riskler
- Cihazı tüm güvenlik gereksinimlerine uygun bir şekilde kullansanız bile olası yaralanma ve hasar riskleri







halen devam edecektir. Cihaz tasarımının belirli özelliklerinden dolayı aşağıdaki tehlikeler meydana gelebilir:

- basınçlı hava tarafından fırlatılan nesnelere kaynaklı yaralanma ve maddi hasar riski;
- arızalı aksesuarlardan veya çalışma sırasında gizli nesnelere aniden çarpmadan dolayı yaralanma veya fiziksel hasar.

## Kılavuzda kullanılan simgeler

Kullanım kılavuzunda aşağıdaki simgeler kullanılmıştır, anlamlarını lütfen unutmayın. Simgelerin doğru yorumlanması, aletin doğru ve güvenli bir biçimde kullanılmasına olanak sağlayacaktır.

Sembol	Anlamı
	<b>Seri numarası etiketi:</b> CT ... - model; XX - üretim tarihi; XXXXXXX - seri numarası.
	Tüm güvenlik yönetmeliklerini ve talimatlarını okuyun.
	Koruyucu gözlükler.
	Kulak koruyucuları takın.
	Toz maskesi takın.
	Kurulum veya ayar öncesinde güç aletinin bağlantısını şebekeden kesin.
	Yağmurlu ya da karlı hava koşullarında çalışmayın.
	Hareket yönü.
	Dönüş yönü.

Sembol	Anlamı
	Kilitli.
	Kilidi açık.
I	Koruma sınıfı.
	Ürünün AB yönetmeliklerinin ve uyumlu hale getirilmiş AB standartlarının temel gereksinimleriyle uyumlu olduğu doğrulayan bir işaret.
	Dikkat. Önemli.
	Faydalı bilgiler.
	Aleti bertaraf ederken, evsel atık konteynırlarına atmayın.

## Aletin tanımı

Kompresör, çeşitli pnömatik aletlere, aygıtlara ve cihazlara basınçlı hava sağlamak üzere tasarlanmıştır. Kompresörün kullanılması, elektrik gücünden, mekanik işlerden tasarruf etmenizi ve iş yapma hızınızı artırmanızı sağlayacaktır. Çeşitli pnömatik aletler, matkapla delme, yontma, pompalama, boyama ve deterjan, vb. maddeleri püskürtmeyi içeren yıkama gibi işleri gerçekleştirmeyi mümkün kılarak, kompresörün uygulama kapsamını büyük ölçüde genişletir.

## Aletin bileşenleri

- 1 Taşıma tutamağı
- 2 Tekerlek \*
- 3 Yağ tahliye tapası
- 4 Boru tesisatı
- 5 Kauçuk takoz \*
- 6 Muhafaza
- 7 Silindir
- 8 Valf tapası
- 9 Açma / kapama düğmesi
- 10 Basınç rölesi (presostat)
- 11 Depo manometresi
- 12 Çıkış bağlantı parçası (düzenlenmemiş basınç)
- 13 Düzenlenmiş basıncın manometresi
- 14 Basınç düzenleyicisi
- 15 Çıkış bağlantı parçası (düzenlenmiş basınç)
- 16 Çek valf

- 17 Depo
- 18 Hava filtresi (montaj)
- 19 Krank muhafazası
- 20 Yağ seviyesinin izlenmesi için gözetleme deliği
- 21 Emniyet valfi
- 22 Tahliye valfi
- 23 Yağ şişesi \*
- 24 Bağlantı elemanı \*
- 25 Kauçuk takoz için montaj somunu \*
- 26 Kauçuk takoz için montaj civatası \*
- 27 Kauçuk takoz için montaj pulu \*
- 28 Tekerlek montaj saplaması \*
- 29 Tekerlek montaj pulu \*
- 30 Tekerlek montaj somunu \*
- 31 Hortum \*
- 32 Hortum kelepçesi \*
- 33 Çabuk değiştirme bağlantı elemanı \*
- 34 Tapa \*
- 35 Hava filtresi gövdesi
- 36 Filtre elemanı \*
- 37 Hava filtresi kapağı

\* Aksesuar

Tanımlanan ve şekilleri gösterilen aksesuar kısmen teslimat kapsamına dahil değildir.

## Alet elemanlarının montajı ve düzenlenmesi

Herhangi bir işlemden önce cihazı kapattığınızdan emin olun, akım taşıyan kabloyu prizden sökün ve depodaki 17 basıncı (emniyet valfinin 21 halkasını çekerek) tahliye edin.



Dişliye zarar vermektan kaçınmak için sabitleme öğelerini çok sıkı hazırlamayın.



Bazı elemanların takılması / sökülmesi / kurulması tüm cihaz modellerinde aynıdır, bu doküman içerisindeki resimlerde özel modeller gösterilmemektedir.

**Kauçuk takozların montajı / sökülmesi (bkz. şek. 1-2)**

- Kauçuk takozları 5 şek. 1-2'de gösterildiği şekilde takın.
- Ters sırayla sökün.

**Tekerleklerin montajı / sökülmesi (bkz. şek. 3)**

[CT36028, CT36029, CT36047]

- Tekerlekleri 2 şek. 3'te gösterildiği şekilde takın.
- Ters sırayla sökün.

**Hava hortumunun bağlanması / sökülmesi (bkz. şek. 4-5)**

[CT36046, CT36047]

- Hortum kelepçesini 32 hortumun 31 ucuna takın (bkz. şek. 4.1).
- Bağlantı parçasını 24 takın.
- Hortum kelepçesinin 32 vidasını sıkın.

- Bağlarken bağlantı parçasını 24 çıkış bağlantı parçası 12 veya 15'e vidalayın (bkz. şek. 4.2).
- Bağlantıyı sökerken bağlantı parçasının 24 vidasını sökün.

[CT36028, CT36029]

- Bağlarken, çabuk değiştirme bağlantı parçasını 33 (yerine yerleşene kadar) çıkış bağlantı parçası 12 veya 15'e yerleştirin (bkz. şek. 5.1).
- Bağlantıyı sökerken çabuk değiştirme bağlantısının burcunu şek. 5.2.'de gösterildiği şekilde hareket ettirin ve çabuk değiştirme bağlantı parçasını 33 sökün.

## Aletin ilk çalıştırılması

Yağ dolumu (bkz. şek. 6-7)



**Dikkat: Cihazın üreticisi, taşıma teknik koşullarıyla uyumlu olabilmek için krank muhafazasını 19 yağ ile doldurmakta- dır. Bu yüzden kullanmadan önce cihazın önerilen yağ markasıyla doldurulması gerekir. Krank muhafazasında 19 yağ olmadan veya minimumun altında yağ seviyesinde cihazın çalıştırılması cihazda hasara yol açacaktır. Bu durumda garanti tamir servis hakkınızı kaybedeceksiniz.**

- Cihazı düz, yatay bir yüzeye yerleştirin.
- Yağ deliğinin etrafındaki alanı bir bezle temizleyin ve tapayı 34 çıkartın (bkz. şek. 6.1).
- Krank muhafazasına 19 yağı dikkatli bir şekilde boşaltın (bir huni kullanılması önerilir). Yağ seviyesi, gözetleme deliğinin 20 üzerindeki kırmızı noktanın üst sınırındır (bkz. şek. 6.2). 5 dakika bekleyin ve sonrasında yağ seviyesini yeniden kontrol edin, gerekirse maksimum seviye işaretine kadar doldurun. **Dikkat: maksimum seviye işaretini aşmayın.**
- Tapayı 8 şekil 7.1'de gösterildiği şekilde takın. **Dikkat: tapa 8 krank muhafazası 19 içinde basınç artışı önleyen özel bir valfe sahiptir. Tapanın 8 tapa 34 veya diğer nesnelere değiştirilmesi kesinlikle yasaktır.**
- İlk çalıştırmada ve uzun bir rölanti süresinden sonra krank muhafazasında 19 yağın düzgün bir şekilde dağılmasını sağlamak için cihazın 5 dakika boyunca yüksüz bir şekilde çalıştırılması önerilir. Bunu yapmak için tahliye valfini 22 sökün (yoğuşma sıvısını tahliye ederken yapıldığı şekilde, aşağıdaki tarife bakın), emniyet valfinin 21 halkasını da çekin ve tutun, sonrasında cihazı açın.



Yeniden doldurmak için cihazla birlikte verilen yağı kullanın. SAE30 (cihaz 10°C'nin üzerindeki sıcaklıklarda kullanılırsa) veya (cihaz 10°C'nin altındaki sıcaklıklarda kullanılırsa) SAE10 motor yağı kullanın. Farklı sınıflardaki yağları karıştırmayın.

**Aleti çalıştırmaya başlamadan önce**

- Voltajın, aletin üzerinde yazılı bulunan teknik özelliklerle uygun olduğundan emin olun.
- Güç kablosunu ve uzatma kablosunu kontrol edin; herhangi bir hasar tespit edildiği takdirde, kablo değiştirilmelidir.
- Hava hortumunun durumunu kontrol edin, hasarlıysa değiştirin.

Türkçe

basınca eşittir (depo 17 içindeki basınç değeri manometre 11 tarafından gösterilmektedir).

## Aletin açılması ve kapatılması

Cihazı şebekeye bağlamadan önce açma / kapama düğmesinin 9 aşağı (Off) konumunda olduğundan emin olun.

### Açma:

Açma / kapama düğmesini 9 yukarı doğru hareket ettirin (bkz. şek. 8.1).

### Kapama:

Açma / kapama düğmesini 9 aşağı doğru hareket ettirin (bkz. şek. 8.2).

## Aletin tasarım özellikleri

### Otomatik açma / kapama

Açıldıktan sonra cihaz döngüsel bir modda çalışır: bağlı pnömatik aletlerle basınçlı havanın tüketimine bağlı olarak cihazı açıp / kapatarak, basınç rölesi 10 depoda 17 sabit bir basınç değeri sağlar. Cihaz açılırken hava filtresi 18 üzerinden hava emilir ve boru tesisatı 4 üzerinden depoya 17 hava enjekte edilir. Maksimum basınç değerine (bu parametrenin değeri fabrikada ayarlanır) ulaşıldığında basınç rölesi 10 etkin hale gelir ve elektrik motoru kapanır. Boru tesisatındaki 4 ve silindirdeki 7 fazla hava valf üzerinden tahliye edilir. Böylece silindirde 7 ve boru tesisatında 4 fazla basınç kalmaz. Bu, cihazın bir sonraki çalıştırılmasında elektrik motorundaki yükü azaltır. Depodaki 17 basınç minimum değere düştüğünde, elektrik motoru çalışır ve maksimum değere ulaşana kadar cihaz depoya 17 hava pompalamaya başlar. Cihaz, açma / kapama düğmesi 9 yukarı ("On") konumunda olduğu sürece bu modda çalışır.

Maksimum basınca ulaşıldığında cihaz otomatik olarak kapanmıyorsa, aşırı basınç emniyet valfinden 21 tahliye edilir. Bu durumda hemen özel bir CROWN tamir atölyesiyle irtibata geçilmesi gerekir.

### Sıcaklık koruması

Sıcaklık koruması, aşırı yüklerde ve aşırı ısınmada cihazı kapatarak cihaza hasar gelmesini önler. Örneğin hava tüketimi cihazın kapasitesini aşan pnömatik aletler kullanırken veya filtre elemanı 36 tıkanığında, vb. Bu, elektrik motorunu aşırı yüklenmeye karşı korur. Sıcaklık koruması etkinleştirildiğinde, cihazın şebeke bağlantısını kesin, korumayı tetikleyen sebebi ortadan kaldırarak cihazın soğumasını sağlayın ve sonrasında çalışmaya devam edin.

### Basınç ayarı (bkz. şek. 8)

Basınç düzenleyicisi 14 çıkış bağlantı parçasındaki 15 basınçlı havanın basıncını gerektiği şekilde ayarlanmasını sağlar.

- Manometre 13 ayarlı basınç değerini gösterir.
- Basıncı artırmak için basınç düzenleyicisinin 14 tuşağın saatini tersi yönde döndürün (bkz. şek. 8).
- Basıncı azaltmak için basınç düzenleyicisinin 14 tuşağın saat yönünde döndürün.

**Dikkat:** Cihazın tasarımı, basınçlı havanın basınç ayarını yalnızca çıkış bağlantı parçası 15'te mümkün kılar. Çıkış bağlantı parçasındaki 12 basınç, depo 17 içindeki

## Aletin çalıştırılmasına ilişkin tavsiyeler

### Çalışmaya başlamadan önce

- Cihazı düz, yatay bir yüzeye yerleştirin (izin verilen eğim 15°'nin altındadır), bu sayede parçaların düzgün bir şekilde yağlanması sağlanacaktır.
- Pnömatik aletleri cihaza bağlayın.
- Cihazı şebekeye bağlayın.
- **CT36046** ve **CT36047** modelleri için (hangisine pnömatik alet bağlıysa) çıkış bağlantı parçası 12 veya 15'teki valfi açın.
- Sıvıların püskürtülmesiyle alakalı işler yaparken cihazın üzerine sıvı damlamadığından emin olun.
- Çalışma sırasında cihazı hareket ettirmeniz gerekirse cihazın şebekeden bağlantısını kesin ve deponun 17 basıncını azaltın ve sonrasında taşıyın.
- Cihazın parçalarına herhangi bir ses veya güçlü titreşim olması durumunda cihazı derhal kapatın ve CROWN servis merkeziyle irtibata geçin.

### Genel öneriler

- Cihazı açın.
- Basınç düzenleyicisini 14 kullanarak çalışma için gerekli basıncı ayarlayın.
- Cihaza aşırı yüklenmeyin. Cihaz, %55'e kadar döngüsel süre faktörüne sahip aralıklı bir çalışma modundadır ve döngünün süresi 6 ila 10 dakikadır. Cihazın 15 dakika boyunca sürekli olarak çalışmasına, 1.5 saat içinde sadece bir defa izin verilir.
- Cihazı kullanırken krank mahfazasındaki 19 yağ seviyesini gözetleyin ve gerekirse yağ ilave edin.

### Çalışmayı tamamlandıktan sonra

- Cihazı kapatın.
- Cihazın şebeke bağlantısını kesin.
- Emniyet valfinin 21 halkasını çekerek deponun 17 basıncını azaltın.
- Aşağıda tarif edildiği şekilde yağlama sıvısını depodan 17 tahliye edin.

## Alete ilişkin bakım / önleyici tedbirler

Herhangi bir işlemden önce cihazı kapattığınızdan emin olun, akım taşıyan kabloyu prizden sökün ve depodaki 17 basıncı (emniyet valfinin 21 halkasını çekerek) tahliye edin.

### Cihazın temizlenmesi

Cihazın dış yüzeyinin belirli aralıklarla yumuşak bir fırça ve bezle temizlenmesi ve cihazın parçalarına basınçlı hava üflenmesi gerekir. Cihazı temizlerken kostik maddeler veya çözücüler kullanmayın.

### Yağın değiştirilmesi (bkz. şek. 6-7)

Cihazın ilk 30 saatlik çalışmasından sonra (ve daha sonrasında her 150 saatlik çalışmada bir) yağın değiştirilmesi gerekir. Kompresör 12 aydan uzun bir süre bo-

yunca çalıştırılmadıysa, çalıştırmadan önce de yağın değiştirilmesi önerilir.



**Dikkat: Yağın rengi değiştiyse (rengi açıldıysa - içine su girdiyse - veya rengi karardıysa - aşırın ısındıysa) veya yağın içinde kirlilikler varsa, yağın derhal değiştirilmesi gerekir.**

- Cihazı düz, yatay bir yüzeye yerleştirin.
- Tahliye deliğinin altına, içine eski yağın tahliye edileceği bir kap yerleştirin (bkz. şek. 7.2).
- Bir bez kullanarak tapanın 8 etrafındaki alanı temizleyin ve tapayı sökün (bkz. şek. 7.1).
- Bir bez kullanarak tapanın 3 etrafındaki alanı temizleyin ve tapayı sökün ve tahliye deliğinden eski yağın akışı durana kadar bekleyin. Tapayı 3 takın (bkz. şek. 7.2).
- Krank muhafazasına 19 yağı dikkatli bir şekilde boşaltın (bir huni kullanılması önerilir). Yağ seviyesi, gözetleme deliğinin 20 üzerindeki kırmızı noktanın üst sınırındır (bkz. şek. 6.2). **Dikkat: maksimum seviye işaretini aşmayın.**
- Tapayı 8 vidalayın (bkz. şek. 7.1).

### Yoğuşma sıvısının tahliye edilmesi (bkz. şek. 9-10)

Her kullanımdan veya iş gününden sonra depodan 17 yoğuşma sıvısını daima tahliye edin. Bu, depo 17 içindeki korozyonu önleyecektir.

- Cihazı düz, yatay bir yüzeye yerleştirin.
- Yoğuşma sıvısının içine boşaltması için tahliye valfini 22 altına bir kap yerleştirin.
- Tahliye valfini 22 söküp ve yoğuşma sıvısını tamamen tahliye edilene (suyun valften damlaması durana) kadar bekleyin (bkz. şek. 9-10).
- Tahliye valfini 22 vidalayın.

### Hava filtresinin temizlenmesi (bkz. şek. 11-12)

Hava filtresinin 18 filtre elemanını 36 düzenli bir şekilde kontrol edin (kirliliği çevre koşullarına bağlıdır). Cihazın en az 100 saatlik kullanımından sonra, filtre elemanını kirlendikçe temizleyin (veya değiştirin). Kirlenen bir hava filtresi verimlilik faktörünü azaltır ve cihazın daha fazla eskimesine yol açar.

- Cihazı düz, yatay bir yüzeye yerleştirin.
- Hava filtresini 18 söküp (bkz. şek. 11-12).
- Gövdeden 35 kapağı 37 çıkartın.
- Filtre elemanını 36 çıkartın.
- **CT36028, CT36029** modelleri için: filtre elemanını 36 su ve sabunla yıkayın ve iyice kurulayın. **Dikkat: Elemanı yıkarken benzin, çözücü veya aşındırıcı maddeler kullanmayın.**
- **CT36046, CT36047** modelleri için: filtre elemanına 36 basınçlı hava üfleyin.

- Filtre elemanındaki 36 kirlilikler çok ağırsa ve temizlenemiyorsa, filtre elemanını değiştirin. Cihazı hava filtresi olmadan kullanmak kesinlikle yasaktır.
- Hava filtresini 18 monte edin ve yerine takın.

### Deponun durumunun kontrol edilmesi

Depoyu 17 hasar veya korozyon belirtilerine karşı düzenli olarak kontrol edin. Eğer depo hasarlıysa, bakımsız (mekanik veya kaynaklı) tamirlerin gerçekleştirilmesi yasaktır. Hasarlı depo 17 özel **CROWN** tamir atölyesinde tamamen değiştirilmelidir.

### Satış sonrası ve uygulama hizmetleri

Satış sonrası hizmetlerimiz ürününüzün bakım ve tamirinin yanı sıra yedek parçalar konusunda da sorularınıza yanıt vermektedir. Servis merkezleri, parça diyagramları ve yedek parçalar hakkındaki bilgiler de [www.crown-tools.com](http://www.crown-tools.com) adresinde mevcuttur.

### Aletlerin taşınması

- Cihazı yalnızca tutamağından 1 veya altından tutarak ve destekleyerek taşıyın. Cihazı diğer kısımlarından (hortumlarından veya elektrik kablosundan, vb. tutarak) taşımayın.
- Depodan 17 basıncı tahliye etmeden cihazı taşımayın veya hareket ettirmeyin.
- Nakliye sırasında ambalaj üzerine kesinlikle herhangi bir mekanik darbe gelmemelidir.
- Boşaltma / yükleme sırasında, ambalajı sıkıştırma prensibiyle çalınan herhangi bir türde teknolojinin kullanılmasına izin verilmez.

### Çevresel koruma



**Dikkat: Eski yağı ve depodaki 17 yoğuşma sıvısını toprağa, zemine, su kaynaklarına veya kanalizasyona atmayın. Eski yağ, sızdırmaz bir kaptan toplanmalı ve ilave bertaraf etme işlemleri için bir işlem atığı toplama noktasına aktarılmalıdır.**



**Çöp tasfiyesi yerine hammadde kazanımı.**

Alet, aksesuarlar ve ambalaj çevre dostu geri dönüşüm amaçlı olarak ayrıştırılmalıdır. Değişik malzemenin tam olarak ayrılıp değerlendirme işlemine sokulabilmesi için, plastik parçalar işaretlenmiştir. Bu kullanın talimatı da, klor kullanılmadan ağartılmış, yeniden dönüşümlü kağıda basılmıştır.

İmalatçı, ürün üzerinde değişiklik yapma hakkını saklı tutar.

Türkçe



## Технические характеристики устройства

Воздушный компрессор		СТ36046	СТ36028	СТ36029	СТ36047
Код устройства	[220-230 В ~50/60 Гц]	421463	421449	421456	421470
Номинальная мощность	[Вт] [п.с.]	750 1	1500 2	1500 2	1500 2
Сила тока при напряжении	220-230 В [А]	6	8	8	8
Номинальное число оборотов	[мин <sup>-1</sup> ]	2800	2800	2800	2800
Емкость воздушного ресивера	[л]	9	25	50	50
Производительность	[л/мин]	80	135	135	110
Рабочее давление	[МПа] [бар]	0,8 8	0,8 8	0,8 8	0,8 8
Вес	[кг] [фунты]	13,8 30.42	22 48.5	28 61.73	27,9 61.51
Класс безопасности		I	I	I	I
Звуковое давление	[dB(A)]	—	—	—	—
Акустическая мощность	[dB(A)]	—	—	—	—
Вибрация	[м/с <sup>2</sup> ]	—	—	—	—

## Информация о шуме



Носить приспособление для защиты органов слуха при уровне звукового давления свыше 85 dB(A).

## Соответствия требуемым нормам

Мы заявляем под нашу единоличную ответственность, что описанный в разделе "Технические характеристики устройства" продукт отвечает всем соответствующим положениям Директив 2006/42/ЕС, включая их изменения, а также следующим нормам: EN1012-1:2010.

Менеджер по сертификации

Wu Cunzhen

Merit Link International AG  
Stabio, Швейцария, 20.01.2018

## Общие указания по технике безопасности



**ВНИМАНИЕ!** Перед первым применением вашего устройства внимательно прочтите данную инструкцию и соблюдайте все рекомендации и правила,

изложенные в ней. Сохраните инструкцию для дальнейшего пользования или для следующего владельца.

Наряду с указаниями по технике безопасности, содержащимися в данной инструкции, соблюдайте общие положения законодательства по технике безопасности и предотвращению несчастных случаев.

Предупредительные и указательные таблички, размещенные на устройстве, содержат важную информацию, необходимую для его безопасной эксплуатации.

## Рекомендации по электробезопасности

- Подключение электропитания выполняется исключительно квалифицированным электриком в соответствии с требованиями IEC 60364-1.
- Если штепсельная вилка токоведущего кабеля не подходит к используемой розетке, специалист сервисной службы должен отрезать эту вилку и заменить ее на подходящую. Если оригинальная вилка имела встроенный предохранитель, используемая в качестве замены вилка должна иметь предохранитель с теми же характеристиками, что и оригинальная вилка. Отрезанную вилку следует ликвидировать во избежание поражения электрическим током, и ее запрещается вставлять в какие-либо розетки.
- Рекомендуется включать это устройство только в розетку, оборудованную устройством защитного отключения на 30 мА.

Русский

- Устройство следует включать только в сеть переменного тока. Напряжение должно соответствовать указанному в заводской табличке.
- Не прикасайтесь к штепсельной вилке и розетке мокрыми руками.
- Перед началом работы с устройством проверьте токоведущий кабель и штепсельную вилку на повреждения. Эксплуатация устройства с поврежденным сетевым соединительным кабелем или штепсельной вилкой категорически запрещена. Для проведения ремонтных операций обратитесь в службу сервисного обслуживания или к специалисту-электрику.
- При использовании удлинителя его сетевая вилка, штепсельная розетка и токоведущий кабель должны иметь герметичное исполнение, должны быть защищены от брызг и подходить для использования на открытом воздухе.
- Следите за тем, чтобы токоведущий кабель и удлинители не были повреждены путем переезда через них, сдавливания, растяжения и т.п. Защищайте токоведущие кабели от воздействия жары, нефтепродуктов, а также от повреждения острыми краями.
- При проведении любых работ по уходу и техническому обслуживанию устройство следует выключить, а вилку токоведущего кабеля - извлечь из розетки.
- Оставляя устройство без присмотра, всегда отключайте его от сети.
- Неподходящие электрические удлинители могут представлять опасность. На открытом воздухе можно использовать только допущенный для использования и соответствующим образом маркированный электрический удлинитель с достаточным поперечным сечением провода:
  - длина кабеля 1 - 10 м - сечение 1,5 мм<sup>2</sup>;
  - длина кабеля 10 - 30 м - сечение 2,5 мм<sup>2</sup>;
  - длина кабеля 30 - 50 м - сечение 4 мм<sup>2</sup>;
- Всегда полностью разматывайте токоведущий кабель, во избежание возникновения пожара вследствие перегрева.

## Правила безопасности при использовании

- Используйте устройство только в соответствии с его назначением. При работе с устройством учитывайте местные особенности и обращайтесь внимание на других лиц, находящихся поблизости.
- Категорически запрещена эксплуатация устройства детьми. Не разрешайте детям играть с устройством.
- Пользование устройством разрешается только тем лицам, которые обучены работе и обращению с ним.
- Запрещается использовать устройство лицам (включая детей) с пониженным физическими, чувственными или умственными способностями, если они не находятся под контролем или не проинструктированы об использовании устройства лицом, ответственным за их безопасность.
- При работе устройством будьте внимательны и хорошо обдумывайте свои действия. Не пользуйтесь устройством в случае если вы устали, или находитесь под воздействием наркотиков, алкоголя или медикаментов. Потеря внимания во время работы может быть причиной серьезных травм.
- Не работайте устройством во время грозы или сильного дождя, особенно при наличии разрядов молнии.
- Используйте устройство только в вертикальном положении, во время работы не накрывайте его, чтобы обеспечить достаточную вентиляцию и не допустить перегрева.
- Перед выполнением любых действий с устройством обеспечьте его устойчивость, чтобы предотвратить несчастные случаи или повреждения в результате опрокидывания. Категорически запрещается использовать устройство на высоте, например, установив его на строительные леса или стремянку, либо подвесив его.
- При использовании устройства будьте осторожны. Никогда не направляйте струю сжатого воздуха на людей или животных. Используйте средства индивидуальной защиты (защитные очки, респиратор, перчатки и т.п.).
- Не используйте сжатый воздух для чистки одежды. Не вдыхайте сжатый воздух.
- Не вносите изменения в конструкцию, из-за которых может быть превышено максимально допустимое давление. Запрещается превышать максимальное рабочее давление.
- Никогда не превышайте максимально допустимое давление для оборудования, которое будет подключаться к устройству.
- Не используйте устройство при температуре ниже 5°C
- Перемещайте устройство только за транспортировочные рукоятки. Никогда не используйте воздушный шланг для перемещения устройства.
- Не транспортируйте и не перемещайте устройство не сбросив предварительно давление из ресивера.
- Соблюдайте осторожность, во время работы устройства некоторые его части сильно нагреваются.
- Не используйте легковоспламеняющиеся или едкие вещества для чистки устройства.
- Следите за состоянием ресивера, при повреждении ресивера или обнаружении утечки воздуха, немедленно отключите устройство и сбросьте давление воздуха в ресивере.
- Категорически запрещается использовать устройство с поврежденным ресивером. Ремонт и дальнейшее использование ресивера не допускается - поврежденный ресивер должен быть заменен.
- Перед выполнением обслуживания или ремонта, убедитесь, что устройство отключено от источника питания.
- После каждого использования, необходимо сбросить давление воздуха в ресивере и слить из него конденсат.
- Запрещается эксплуатация устройства с поврежденными или демонтированными защитными приспособлениями. Ни в коем случае не пользуйтесь устройством, не укомплектованным надлежащим образом или подвергнутому несанкционированным изменениям.
- Использование устройства предполагает его длительную работу без присмотра со стороны пользователя, поэтому необходимо убедиться, что устройство установлено вдали от легковоспламеняющихся веществ, и никакие внешние факторы не препятствуют его нормальному охлаждению (минимальное расстояние от устройства до каких-либо предметов или стен 50 см).

- Запрещается использовать устройство в местах с загрязненной атмосферой, а также с атмосферой, содержащей взрывоопасные газы и испарения агрессивных веществ.
- Устройство предназначено только для сжатия воздуха, не используйте его в других целях.
- Не используйте сжатый воздух, производимый устройством, для медицинских или фармацевтических нужд.
- Данные устройства не пригодны для наполнения баллонов аквалангов.
- Не касайтесь работающего устройства мокрыми руками.
- Использование устройства в различных целях (надувание, питание пневмоинструментов и устройств использующих энергию сжатого воздуха, окрашивание, мойка и пр.) предполагает знание пользователем правил техники безопасности для каждого конкретного случая.
- После окончания работы выждите, пока устройство охладится, только после этого его можно накрывать или надевать на него защитный чехол.

### Прочие опасности

- Не используйте устройство во взрывоопасной среде, например, в присутствии паров легковоспламеняющихся жидкостей или газов, частиц горючих веществ в виде пыли.
- Не направляйте струю сжатого воздуха на поверхности, содержащие вещества, вредные для здоровья (например, асбест).
- При выборе места для хранения и транспортировке учитывайте вес устройства (см. таблицу "Технические характеристики устройства"), чтобы избежать несчастных случаев или травм.

### Обслуживание устройства

- Обслуживание Вашего устройства должно производиться квалифицированными специалистами с использованием рекомендованных запасных частей. Это дает гарантию того, что безопасность Вашего устройства будет сохранена.
- Соблюдайте инструкции по смазке, а также рекомендации по замене аксессуаров.

### Остаточные риски




- Даже если вы используете устройство в соответствии со всеми требованиями безопасности, потенциальные риски травм и повреждений все равно остаются. В связи с особенностями конструкции этого устройства могут возникнуть следующие опасности:
  - опасность получения травм и материального ущерба от предметов, отброшенных сжатым воздухом;
  - травм или материального ущерба из-за неисправных принадлежностей или внезапного удара о скрытые предметы во время использования.

### Символы, используемые в инструкции

В руководстве по эксплуатации используются нижеприведенные символы, запомните их значение.

Правильная интерпретация символов поможет использовать устройство правильно и безопасно.

Символ	Значение
	<b>Наклейка с серийным номером:</b> CT ... - модель; XX - дата производства; XXXXXXX - серийный номер.
	Ознакомьтесь со всеми указаниями по технике безопасности и инструкциями.
	Носите защитные очки.
	Носите защитные наушники.
	Носите пылезащитную маску.
	Отключайте устройство от сети перед проведением монтажных и регулировочных работ.
	Не работайте в дождь или в снег.
	Направление движения.
	Направление вращения.
	Заблокировано.
	Разблокировано.
I	Класс защиты.
	Знак, удостоверяющий, что изделие соответствует основным требованиям директив ЕС и гармонизированным стандартам Европейского Союза.

Символ	Значение
	Внимание. Важная информация.
	Полезная информация.
	Не выбрасывайте устройство в бытовой мусор.

## Назначение устройства

Компрессор предназначен для обеспечения сжатым воздухом различных пневмоинструментов, устройств и приспособлений.

Использование компрессора позволяет сэкономить электроэнергию, механизировать труд, а также повысить скорость выполнения работ.

Различные пневмоинструменты существенно расширяют спектр применения компрессора, делая возможным выполнение таких работ как: сверление, долбление, накачивание, окрашивание, мойка с распылением моющих веществ и др.

## Элементы устройства

- 1 Рукоятка для транспортировки
- 2 Колесо \*
- 3 Заглушка отверстия для слива масла
- 4 Трубопровод
- 5 Резиновая опора \*
- 6 Кожух
- 7 Цилиндр
- 8 Пробка с клапаном
- 9 Включатель / выключатель
- 10 Реле давления (прессостат)
- 11 Манометр ресивера
- 12 Выходной патрубок с нерегулируемым давлением
- 13 Манометр редуктора
- 14 Редуктор давления
- 15 Выходной патрубок с регулируемым давлением
- 16 Обратный клапан
- 17 Ресивер
- 18 Воздушный фильтр (в сборе)
- 19 Картер
- 20 Смотровое окно контроля уровня масла
- 21 Предохранительный клапан
- 22 Золотник
- 23 Бутылка с маслом \*
- 24 Штуцер \*
- 25 Гайка для установки резиновой опоры \*
- 26 Болт для установки резиновой опоры \*
- 27 Шайба для установки резиновой опоры \*
- 28 Винт для установки колеса \*
- 29 Шайба для установки колеса \*
- 30 Гайка для установки колеса \*

- 31 Шланг \*
- 32 Хомут \*
- 33 Быстросъемный штуцер \*
- 34 Заглушка \*
- 35 Корпус воздушного фильтра
- 36 Фильтрующий элемент \*
- 37 Крышка воздушного фильтра

\* Принадлежности

Перечисленные, а также изображенные принадлежности, частично не входят в комплект поставки.

## Монтаж и регулировка элементов устройства

Перед проведением всех процедур обязательно выключите устройство, извлеките токоведущий кабель из розетки и сбросьте давление в ресивере 17 (потянув за кольцо предохранительного клапана 21).



Не затягивайте слишком сильно крепежные элементы, чтобы не повредить их резьбу.



Монтаж / демонтаж / настройка некоторых элементов аналогична для всех моделей устройств, в этом случае на пояснительном рисунке конкретная модель не указывается.

**Монтаж / демонтаж резиновых опор (см. рис. 1-2)**

- Установите резиновые опоры 5 как показано на рисунках 1-2.
- Демонтаж производите в обратной последовательности.

**Монтаж / демонтаж колес (см. рис. 3)**

**[СТ36028, СТ36029, СТ36047]**

- Установите колеса 2, как показано на рисунке 3.
- Демонтаж производите в обратной последовательности.

**Подключение / отключение воздушного шланга (см. рис. 4-5)**

**[СТ36046, СТ36047]**

- Наденьте хомут 32 на конец шланга 31 (см. рис. 4.1).
- Установите штуцер 24.
- Затяните винт хомута 32.
- При подключении накрутите штуцер 24 на выходной патрубок 12 или 15 (см. рис. 4.2).
- При отключении открутите штуцер 24.

**[СТ36028, СТ36029]**

- При подключении вставьте (до щелчка) быстросъемный штуцер 33 в выходной патрубок 12 или 15 (см. рис. 5.1).
- При отключении, переместите втулку быстросъемного соединения, как показано на рисунке 5.2, и извлеките быстросъемный штуцер 33.

## Ввод в эксплуатацию устройства

Заправка маслом (см. рис. 6-7)



**Внимание:** производитель устройства в целях соблюдения технических условий транспортировки не заливает масло в картер 19. Поэтому перед началом эксплуатации необходимо заправить устройство маслом рекомендованной марки. Работа устройства без масла в картере 19 или при уровне масла ниже минимального приведет к поломке устройства, в этом случае вы лишитесь права на гарантийный ремонт.

- Установите устройство на ровную горизонтальную поверхность.
- Тряпкой очистите область вокруг отверстия для заливки масла и извлеките заглушку 34 (см. рис. 6.1).
- Аккуратно залейте масло в картер 19 (рекомендуется использовать воронку). Уровень масла - верхняя граница красной точки на смотровом окне 20 (см. рис. 6.2). Выждите 5 минут и снова проверьте уровень масла, если необходимо долейте до максимальной отметки. **Внимание: не превышайте отметки максимального уровня.**
- Установите пробку 8, как показано на рисунке 7.1. **Внимание: пробка 8 имеет специальный клапан, который не допускает повышения давления внутри картера 19. Категорически запрещается использовать вместо пробки 8 заглушку 34 или другие предметы.**
- Для обеспечения равномерного распределения масла в картере 19 при первом запуске, а также после длительного времени простоя, рекомендуется оставить устройство работать без нагрузки в течение 5 минут. Для этого открутите золотник 22 (как при сливе конденсата, см. описание ниже), а также потяните и удерживайте кольцо предохранительного клапана 21, после чего включите устройство.



Для заправки используйте масло, поставляемое вместе с устройством. Также можно использовать моторное масло - SAE30 (если устройство используется при температуре выше 10°C) или SAE10 (если устройство используется при температуре ниже 10°C). Не смешивайте масла различных сортов.

### Перед началом работы

- Убедитесь в том, что имеющееся напряжение в сети соответствует данным, указанным на корпусе устройства.
- Проверьте состояние токоведущего кабеля и удлинителья. В случае обнаружения повреждений, необходимо заменить кабель.
- Проверьте состояние воздушного шланга, в случае обнаружения повреждений, необходимо заменить его.

## Включение / выключение устройства

Перед подключением устройства к электросети убедитесь, что выключатель / выключатель 9 находится в нижнем положении (Off).

### Включение:

Выключатель / выключатель 9 переместите вверх (см. рис. 8.1).

### Выключение:

Выключатель / выключатель 9 переместите вниз (см. рис. 8.2).

## Конструктивные особенности устройства

### Автоматическое включение / выключение

После включения устройство работает в циклическом режиме: реле давления 10 поддерживает постоянную величину давления в ресивере 17, включая или выключая устройство в зависимости от потребления сжатого воздуха подключенными пневмоинструментами. При включении устройства воздух всасывается через фильтр 18 и нагнетается в ресивер 17 через трубопровод 4. При достижении максимального значения давления (величина этого параметра устанавливается на заводе) срабатывает реле давления 10, и электродвигатель отключается. Излишек воздуха из трубопровода 4 и цилиндра 7 выпускается через клапан. Таким образом, в цилиндре 7 и в трубопроводе 4 нет избыточного давления - это снижает нагрузку на электродвигатель при следующем запуске устройства. При падении давления внутри ресивера 17 до минимального значения, электродвигатель включается, и устройство начинает нагнетать воздух в ресивер 17, до тех пор, пока не достигнет максимального значения. В таком режиме устройство работает до тех пор, пока выключатель / выключатель 9 находится в верхнем положении ("On").

Если при достижении максимального давления устройство не отключается автоматически, то избыточное давление сбрасывается через предохранительный клапан 21. В этом случае необходимо немедленно обратиться в специальную ремонтную мастерскую CROWN.

### Температурная защита

Температурная защита предотвращает повреждение устройства, отключая его при чрезмерных нагрузках и перегреве. Например, при использовании пневмоинструментов, потребление воздуха которых превышает производительность устройства, при засоренном фильтрующем элементе 36 и т.п. Это предохраняет электродвигатель от перегрузки. При срабатывании температурной защиты, отключите устройство от сети, устраните причину, вызвавшую срабатывание защиты, дайте устройству охладиться и только тогда продолжайте работу.

### Регулировка давления (см. рис. 8)

Редуктор давления 14 позволяет производить регулировку давления сжатого воздуха в выходном патрубке 15, в зависимости от потребности.

- Установленную величину давления показывает манометр 13.



- Для увеличения давления - ручку редуктора давления **14** вращайте в направлении противоложном движению часовой стрелки (см. рис. 8).
- Для уменьшения давления - ручку редуктора давления **14** вращайте в направлении движения часовой стрелки.



**Внимание:** конструкция устройства предполагает регулировку давления сжатого воздуха только на выходном патрубке **15**. Давление на выходном патрубке **12** равно давлению внутри ресивера **17** (величину давления внутри ресивера **17** показывает манометр **11**).

## Рекомендации при работе устройством

### Перед началом работы

- Установите устройство на ровную горизонтальную поверхность (допустимый уклон не более 15°), это обеспечит правильную смазку деталей.
- Подключите к устройству пневмоинструменты.
- Подключите устройство к сети.
- Для моделей **СТ36046** и **СТ36047** - откройте кран на выходном патрубке **12** или **15** (в зависимости от того, к которому из них подключен пневмоинструмент).
- При проведении работ связанных с распылением жидкостей удостоверьтесь, что на устройство не попадают капли жидкости.
- Если при работе возникла необходимость переместить устройство, отключите его от сети и сбросьте давление из ресивера **17**, после чего производите транспортировку.
- При возникновении посторонних звуков, или сильных вибраций со стороны устройства, немедленно выключите его и обратитесь в сервисный центр **CROWN**.

### Общие рекомендации

- Включите устройство.
- При помощи редуктора давления **14** установите давление необходимое для работы.
- Не перегружайте устройство. Режим работы устройства повторно-кратковременный с продолжительностью включения до 55%, при продолжительности одного цикла 6-10 мин. Допускается непрерывная работа устройства в течение 15 минут, но не чаще одного раза в течение 1.5 часов.
- При использовании устройства контролируйте уровень масла в картере **19**, при необходимости доливайте его.

### После окончания работы

- Выключите устройство.
- Отключите устройство от сети.
- Сбросьте давление в ресивере **17**, потянув за кольцо предохранительного клапана **21**.
- Слейте конденсат из ресивера **17**, как описано ниже.

## Обслуживание / профилактика устройства

Перед проведением всех процедур обязательно выключите устройство, извлеките токоведущий кабель из розетки и обязательно сбросьте давление в ресивере **17** (потянув за кольцо предохранительного клапана **21**).

### Чистка устройства

Необходимо периодически очищать наружную поверхность устройства мягкой щеткой и тряпкой, а также обдуть детали устройства сжатым воздухом. Не используйте для очистки устройства едкие вещества и растворители.

### Смена масла (см. рис. 6-7)

После первых 30 часов работы устройства (а затем после каждых 150 часов работы) необходимо производить замену масла. Если компрессор не использовался больше 12 месяцев, то перед использованием также рекомендуется заменить масло.



**Внимание:** если масло изменило цвет (стало светлым - попала вода, стало темным - перегорело) или в нем присутствуют посторонние примеси необходимо немедленно заменить его.

- Установите устройство на ровную горизонтальную поверхность.
- Установите под сливное отверстие емкость, в которую будет сливаться отработанное масло (см. рис. 7.2).
- Тряпкой очистите область вокруг пробки **8** и выкрутите ее (см. рис. 7.1).
- Выкрутите заглушку **3**, и дождитесь, пока отработанное масло не перестанет вытекать из сливного отверстия. Вкрутите заглушку **3** (см. рис. 7.2).
- Аккуратно залейте масло в картер **19** (рекомендуется использовать воронку). Уровень масла - верхняя граница красной точки на смотровом окне **20** (см. рис. 6.2). **Внимание: не превышайте отметки максимального уровня.**
- Вкрутите пробку **8** (см. рис. 7.1).

### Слив конденсата (см. рис. 9-10)

После каждого использования или в конце рабочего дня всегда сливайте конденсат из ресивера **17**. Это предотвращает появление коррозии внутри ресивера **17**.

- Установите устройство на ровную горизонтальную поверхность.
- Подставьте под золотник **22** емкость, в которую будет сливаться конденсат.
- Открутите золотник **22** и дождитесь полного слива конденсата (из клапана **22** перестанет капать вода) (см. рис. 9-10).
- Закрутите золотник **22**.

### Чистка воздушного фильтра (см. рис. 11-12)

Регулярно осматривайте фильтрующий элемент **36** воздушного фильтра **18** (его загрязнение зависит от

состояния окружающей среды). Проводите очистку (или замену) фильтрующего элемента по мере загрязнения, но не реже чем, через 100 часов использования устройства. Загрязненный воздушный фильтр снижает КПД и способствует большему износу устройства.

- Установите устройство на ровную горизонтальную поверхность.
- Выкрутите воздушный фильтр **18** (см. рис. 11-12).
- Снимите крышку **37** с корпуса **35**.
- Извлеките фильтрующий элемент **36**.
- Для моделей **СТ36028, СТ36029**: вымойте фильтрующий элемент **36** в воде с мылом и тщательно высушите. **Внимание: не используйте для промывки фильтрующего элемента 36 бензин, растворители или едкие вещества.**
- Для моделей **СТ36046, СТ36047**: продуйте фильтрующий элемент **36** сжатым воздухом.
- Если загрязнения фильтрующего элемента **36** слишком сильные, и его невозможно очистить - замените его. **Категорически запрещается использовать устройство без воздушного фильтра.**
- Произведите сборку воздушного фильтра **18** и установите его на место.

### Проверка состояния ресивера

Регулярно осматривайте ресивер **17** на наличие повреждений или следов коррозии. В случае повреждения ресивера **17**, запрещается производить самостоятельный ремонт (механический, или методом сварки). Поврежденный ресивер **17**, должен заменяться целиком, в специальной ремонтной мастерской **CROWN**.

### Послепродажное обслуживание

Ответы на вопросы по ремонту и обслуживанию вашего продукта вы можете получить в сервисных центрах. Информацию о сервисных центрах, схемы запчастей и информацию по запчастям Вы можете найти по адресу: [www.crown-tools.com](http://www.crown-tools.com).

---

## Транспортировка устройства

- Перемещайте устройство только за рукоятку **1**, либо переносите устройство поддерживая его снизу. Запрещается перемещать устройство за другие части (подтягивать его за шланги или токоведущий кабель и т.п.).
- Не транспортируйте и не перемещайте устройство не сбросив предварительно давление из ресивера **17**.
- Не допускайте падения упаковки, а также любые механические воздействия на нее при транспортировке.
- При погрузке / разгрузке не используйте погрузочную технику, работающую по принципу зажима упаковок.

---

## Защита окружающей среды



**Внимание: не выливайте отработанное масло, а также конденсат из ресивера 17 на почву, в грунт, в водоемы или бытовую канализацию. Отработанное масло должно быть собрано в герметичную емкость и передано в пункт сбора технологических отходов для дальнейшей утилизации.**



**Вторичное использование сырья вместо устранения мусора!**

Устройство, дополнительные принадлежности и упаковку следует экологически чисто утилизировать.

В интересах чистосортной рециркуляции отходов детали из синтетических материалов соответственно обозначены.

Настоящее руководство по эксплуатации напечатано на бумаге, изготовленной из вторсырья без применения хлора.

Оговаривается возможность внесения изменений.

Русский



## Технічні характеристики пристрою

Повітряний компресор		СТ36046	СТ36028	СТ36029	СТ36047
Код пристрою	[220-230 В ~50/60 Гц]	421463	421449	421456	421470
Номінальна потужність	[Вт] [п.с.]	750 1	1500 2	1500 2	1500 2
Сила току при нарузі	220-230 В [А]	6	8	8	8
Номінальна частота обертів	[хв <sup>-1</sup> ]	2800	2800	2800	2800
Ємність повітряного ресивера	[л]	9	25	50	50
Продуктивність	[л/хв]	80	135	135	110
Робочий тиск	[МПа] [бар]	0,8 8	0,8 8	0,8 8	0,8 8
Вага	[кг] [фунти]	13,8 30.42	22 48.5	28 61.73	27,9 61.51
Клас захисту		I	I	I	I
Рівень шуму	[dB(A)]	—	—	—	—
Акустична потужність	[dB(A)]	—	—	—	—
Рівень вібрації	[м/с <sup>2</sup> ]	—	—	—	—

## Інформація про шум



Завжди використовуйте звукоізоляційні навушники при рівні шуму понад 85 dB(A).

## Відповідності необхідним нормам

Ми заявляємо під нашу одноосібну відповідальність, що описаний у розділі "Технічні характеристики пристрою" продукт відповідає усім відповідним положенням Директив 2006/42/ЕС, включаючи їх зміни, а також наступним нормам: EN1012-1:2010.

Менеджер із сертифікації

Wu Cunzhen

Merit Link International AG  
Stabio, Швейцарія, 20.01.2018

## Загальні вказівки з техніки безпеки



**УВАГА!** Перед першим застосуванням вашого пристрою уважно прочитайте цю інструкцію й дотримуйтесь усіх рекомендацій та правил, викладених в ній. Збережіть інструкцію для подальшого користування або для наступного власника.

Поряд з вказівками з техніки безпеки, що містяться в даній інструкції, дотримуйтесь загальних положень законодавства з техніки безпеки та запобігання нещасних випадків.

Попереджувальні та вказівні таблички, розміщені на пристрої, містять важливу інформацію, необхідну для його безпечної експлуатації.

## Рекомендації по електробезпеці

- Підключення електроживлення виконується виключно кваліфікованим електриком відповідно до вимог IEC 60364-1.
- Якщо вилка струмопровідного кабелю не підходить до використовуваної розетки, кваліфікований фахівець повинен відрізати цю вилку і замінити її на відповідну. Якщо оригінальна вилка мала вбудований запобіжник, вилка, яка використовується в якості заміни, повинна мати запобіжник з тими ж характеристиками, що і оригінальна вилка. Відрізану вилку слід ліквідувати, щоб уникнути ураження електричним струмом, і її забороняється вставляти в будь-які розетки.
- Рекомендується вмикати цей пристрій тільки в розетку, обладнану пристроєм захисного відключення на 30 мА.
- Цей продукт слід вмикати тільки в мережу змінного струму. Напряга має відповідати зазначеній в заводській табличці.
- Не торкайтеся штепсельної вилки і розетки мокрими руками.
- Перед початком роботи з пристроєм перевірте струмопровідний кабель і штекер на пошкодження. Використання цього пристрою з пошкодженим

Українська

мереживим з'єднувальним кабелем або вилкою категорично заборонено. Для проведення ремонтних операцій зверніться в службу сервісного обслуговування або до фахівця-електрика.

- При використанні подовжувача його штекер, штепсельна розетка і струмопровідний кабель повинні мати герметичне виконання, повинні бути захищені від бризок і підходити для використання на відкритому повітрі.

- Слідкуйте за тим, щоб струмопровідний кабель і подовжувачі не були пошкоджені шляхом переїзду через них, здавлювання, розтягування і т.п. Захищайте струмопровідні кабелі від впливу спеки, нафтопродуктів, а також від пошкодження гострими кроями.

- При проведенні будь-яких робіт з догляду та технічного обслуговування пристрій слід вимкнути, а вилку струмопровідного кабелю - витягти з розетки.

- Залишаючи пристрій без нагляду, завжди відключайте його від мережі.

- Невідповідні електричні подовжувачі можуть становити небезпеку. На відкритому повітрі можна використовувати тільки допущений для використання і відповідним чином маркований електричний подовжувач з достатнім поперечним перетином проводу:

- довжина кабелю 1 - 10 м - перетин 1,5 мм<sup>2</sup>;
- довжина кабелю 10 - 30 м - перетин 2,5 мм<sup>2</sup>;
- довжина кабелю 30 - 50 м - перетин 4 мм<sup>2</sup>.

- Завжди повністю розмотуйте струмопровідний кабель, щоб уникнути виникнення пожежі внаслідок перегріву.

## Правила безпеки при використанні

- Використовуйте пристрій тільки відповідно до його призначення. Під час використання пристроєм враховуйте місцеві особливості і звертайте увагу на інших осіб, які перебувають поблизу.

- Категорично заборонена експлуатація пристроєм дітьми. Не дозволяйте дітям гратися з пристроєм.

- Користування пристроєм дозволяється тільки тим особам, які навчені роботі і поводженню з ним.

- Забороняється використовувати пристрій особам (включаючи дітей) зі зниженими фізичними, емоційними або розумовими здібностями, якщо вони не знаходяться під контролем або не проінструктовані про використання пристрою особою, відповідальною за їх безпеку.

- При роботі пристроєм будьте уважні і добре обмірковуйте свої дії. Не використовуйте пристрій в разі якщо ви втомилися, або перебуваєте під впливом наркотиків, алкоголю або медикаментів. Втрата уваги під час роботи може бути причиною серйозних травм.

- Не користуйтеся пристроєм під час грози або сильного дощу, особливо при наявності розрядів блискавки.

- Використовуйте пристрій лише в вертикальному положенні, під час роботи не накривайте його, щоб забезпечити достатню вентиляцію і не допустити перегріву.

- Перед виконанням будь-яких дій з пристроєм забезпечте його стійкість, щоб запобігти нещасним випадкам або пошкодженням в результаті перекидання. Категорично забороняється використовувати пристрій на висоті, наприклад, встановивши

його на риштування або драбину, або підвісивши його.

- При використанні пристрою будьте обережні. Ніколи не направляйте струмінь стисненого повітря на людей або тварин. Використовуйте засоби індивідуального захисту (захисні окуляри, респіратор, рукавички тощо).

- Не використовуйте стиснене повітря для чищення одягу. Не вдихайте стиснене повітря.

- Не вносьте зміни в конструкцію, через які може бути перевищено максимально допустимий тиск. Забороняється перевищувати максимальний робочий тиск.

- Ніколи не перевищуйте максимально допустимий тиск для обладнання, яке буде підключатися до пристрою.

- Не використовуйте пристрій при температурі нижче 5°C

- Переміщуйте пристрій тільки за транспортувальні рукоятки. Ніколи не використовуйте повітряний шланг для переміщення пристрою.

- Не транспортуйте і не переміщуйте пристрій не скинувши попередньо тиск з ресивера.

- Будьте обережні, під час роботи пристрою деякі його частини сильно нагріваються.

- Не використовуйте легkozаймисті або їдкі речовини для чищення пристрою.

- Слідкуйте за станом ресивера, при пошкодженні ресивера або виявленні витіку повітря, негайно вимкніть пристрій і скиньте тиск повітря в ресивері.

- Категорично забороняється використовувати пристрій з пошкодженим ресивером. Ремонт і подальше використання ресивера не допускається - пошкоджений ресивер повинен бути замінений.

- Перед виконанням обслуговування або ремонту, переконайтеся, що пристрій відключено від джерела живлення.

- Після кожного використання, необхідно скинути тиск повітря в ресивері і злити з нього конденсат.

- Забороняється експлуатація пристрою з пошкодженнями або демонтованими захисними пристосуваннями. Ні в якому разі не користуйтеся пристроєм, що не укомплектований належним чином або зазнав несанкціонованих змін.

- Використання пристрою передбачає його тривалу роботу без нагляду з боку користувача, тому необхідно переконаватися, що пристрій встановлено далеко від легкозаймистих речовин, і ніякі зовнішні чинники не перешкоджають його нормальному охолодженню (мінімальна відстань від пристрою до будь-яких предметів або стін 50 см).

- Забороняється використовувати пристрій в місцях з заповненою атмосферою, а також з атмосферою, що містить вибухонебезпечні гази і випаровування агресивних речовин.

- Пристрій призначений тільки для стисненого повітря, не використовуйте його в інших цілях.

- Не використовуйте стиснене повітря, вироблене пристроєм, для медичних або фармацевтичних потреб.

- Дані пристрою не придатні для наповнення балонів аквалантів.

- Не торкайтеся працюючого пристрою мокрими руками.

- Використання пристрою в різних цілях (надування, живлення пневмоінструментів і пристроїв, що використовують енергію стисненого повітря, фарбування, мийка та ін.) передбачає знання користувачем правил техніки безпеки для кожного конкретного випадку.

• Після закінчення роботи почекайте, поки пристрій охолоне, тільки після цього його можна накрити або надягати на нього захисний чохол.

### Інші небезпеки

- Не використовуйте пристрій у вибухонебезпечному середовищі, наприклад, в присутності парів легкозаймистих рідин або газів, частинок горючих речовин у вигляді пилу.
- Не спрямовуйте струмінь стисненого повітря на поверхні, що містять речовини, шкідливі для здоров'я (наприклад, азбест).
- При виборі місця для зберігання і транспортування враховуйте вагу пристрою (див. таблицю "Технічні характеристики пристрою"), щоб уникнути нещасних випадків або травм.

### Обслуговування пристрою



- Обслуговування Вашого пристрою має здійснюватися кваліфікованими фахівцями з використанням рекомендованих запасних частин. Це дає гарантію того, що безпека Вашого пристрою буде збережена.
- Дотримуйтесь інструкції по мастилу, а також рекомендації по заміні аксесуарів.

### Залишкові ризики

- Навіть якщо ви використовуєте пристрій у відповідності з усіма вимогами безпеки, потенційні ризики травм і пошкоджень все одно залишаються. У зв'язку з особливостями конструкції цього пристрою можуть виникнути такі небезпеки:
  - небезпека отримання травм і матеріального збитку від предметів, відкинутих стисненим повітрям;
  - травм або матеріального збитку через несправні приладдя або раптового удару об приховані предмети під час використання.

### Символи, які використовуються в інструкції

В інструкції використовуються нижченаведені символи, запам'ятайте їх значення. Правильна інтерпретація символів допоможе використовувати пристрій правильно і безпечно.

Символ	Значення
	<b>Наклейка з серійним номером:</b> СТ ... - модель; XX - дата виробництва; XXXXXXXX - серійний номер.
	Ознайомтесь з усіма вказівками з техніки безпеки та інструкціями.

Символ	Значення
	Носіть захисні окуляри.
	Носіть захисні навушники.
	Носіть пилозахисну маску.
	Відключайте прилад від мережі перед проведенням монтажних і регулювальних робіт.
	Не працюйте під час дощу або в сніг.
	Напрямок руху.
	Напрямок обертання.
	Заблоковано.
	Розблоковано.
	Клас захисту.
	Знак, який засвідчує, що виріб відповідає основним вимогам директив ЄС та гармонізованим стандартам Європейського Союзу.
	Увага. Важлива інформація.
	Корисна інформація.
	Не викидайте пристрій разом із побутовим сміттям.

## Призначення пристрою

Компресор призначений для забезпечення стисненим повітрям різних пневмоінструментів, пристроїв і пристосувань.

Використання компресора дозволяє заощадити електроенергію, механізувати працю, а також підвищити швидкість виконання робіт.

Різні пневмоінструменти істотно розширюють спектр застосування компресора, роблячи можливим виконання таких робіт як: свердління, довбання, накачування, фарбування, мийка з розпиленням миючих речовин і ін.

## Елементи пристрою

- 1 Рукоятка для транспортування
- 2 Колесо \*
- 3 Заглушка отвору для зливу мастила
- 4 Трубопровід
- 5 Гумова опора \*
- 6 Кожух
- 7 Циліндр
- 8 Пробка з клапаном
- 9 Вмикач / вимикач
- 10 Реле тиску (пресостат)
- 11 Манометр ресивера
- 12 Вихідний патрубок з нерегульованим тиском
- 13 Манометр редуктора
- 14 Редуктор тиску
- 15 Вихідний патрубок з регульованим тиском
- 16 Зворотній клапан
- 17 Ресивер
- 18 Повітряний фільтр (в зборі)
- 19 Картер
- 20 Оглядове вікно контролю рівня мастила
- 21 Запобіжний клапан
- 22 Золотник
- 23 пляшка з мастилом \*
- 24 Штуцер \*
- 25 Гайка для установки гумової опори \*
- 26 Болт для установки гумової опори \*
- 27 Шайба для установки гумової опори \*
- 28 Гвинт для установки колеса \*
- 29 Шайба для установки колеса \*
- 30 Гайка для установки колеса \*
- 31 Шланг \*
- 32 Хомут \*
- 33 Швидкозйомний штуцер \*
- 34 Заглушка \*
- 35 Корпус повітряного фільтра
- 36 Фільтрувальний елемент \*
- 37 Кришка повітряного фільтра

\* Приналежності

Перераховані, а також зображені принадлежности, частково не входять у комплект постачання.

## Монтаж і регулювання елементів пристрою

Перед проведенням всіх процедур обов'язково вимкніть пристрій, витягніть струмоведучий кабель з розетки і скиньте тиск в ресивері 17 (поп'ягнувши за кільце запобіжного клапана 21).



Не затягуйте дуже сильно кріпильні елементи, щоб не пошкодити їх різьблення.



Монтаж / демонтаж / настройка деяких елементів аналогічна для всіх моделей пристроїв, в цьому випадку на пояснювальному малюнку конкретна модель не вказується.

### Монтаж / демонтаж гумових опор (див. мал. 1-2)

- Встановіть гумові опори 5 як показано на малюнках 1-2.
- Демонтаж робіть в зворотній послідовності.

### Монтаж / демонтаж коліс (див. мал. 3)

#### [СТ36028, СТ36029, СТ36047]

- Встановіть колеса 2, як показано на малюнку 3.
- Демонтаж робіть в зворотній послідовності.

### Підключення / відключення повітряного шланга (див. мал. 4-5)

#### [СТ36046, СТ36047]

- Одягніть хомут 32 на кінець шланга 31 (див. мал. 4.1).
- Встановіть штуцер 24.
- Затягніть гвинт хомута 32.
- При підключенні накрутіть штуцер 24 на вихідний патрубок 12 або 15 (див. мал. 4.2).
- При відключенні відкрутіть штуцер 24.

#### [СТ36028, СТ36029]

- При підключенні вставте (до клацання) швидкозйомний штуцер 33 у вихідний патрубок 12 або 15 (див. мал. 5.1).
- При відключенні, перемістіть втулку швидкозйомного з'єднання, як показано на малюнку 5.2, і витягніть швидкозйомний штуцер 33.

## Введення в експлуатацію пристрою

### Заправка мастилом (див. мал. 6-7)



Увага: виробник пристрою з метою дотримання технічних умов транспортування не заливає мастило в картер 19. Тому перед початком експлуатації необхідно заправити пристрій мастилом рекомендованої марки. Робота пристрою без мастила в картері 19 або при рівні мастила нижче мінімального призведе до поломки пристрою, в цьому випадку ви позбудетеся права на гарантійний ремонт.

- Встановіть пристрій на рівну горизонтальну поверхню.
- Ганчіркою очистіть область навколо отвору для заливки мастила і витягніть заглушку 34 (див. мал. 6.1).
- Аккуратно залийте мастило в картер 19 (рекомендується використовувати ліжку). Рівень мастила - верхня межа червоної точки на оглядовому вікні 20 (див. мал. 6.2). Почекайте 5 хвилин і знову пере-

вірте рівень мастила, якщо необхідно долийте до максимальної позначки. **Увага: не перевищуйте позначки максимального рівня.**

• Встановіть пробку **8**, як показано на малюнку 7.1. **Увага: пробка 8 має спеціальний клапан, який не допускає підвищення тиску всередині картера 19. Категорично забороняється використовувати замість пробки 8 заглушку 34 або інші предмети.**

• Для забезпечення рівномірного розподілу мастила в картері **19** при першому запуску, а також після тривалого часу простою, рекомендується залишити пристрій працювати без навантаження протягом 5 хвилин. Для цього відкрутіть золотник **22** (як при зливі конденсату, див. опис нижче), а також потягніть і утримуйте кільце запобіжного клапана **21**, після чого увімкніть пристрій.



Для заправки використовуйте мастило, яке постачається разом з пристроєм. Також можна використовувати моторне мастило - SAE30 (якщо пристрій використовується при температурі вище 10°C) або SAE10 (якщо пристрій використовується при температурі нижче 10°C). Не змішуйте мастила різних сортів.

### Перед початком роботи обов'язково

- Переконайтеся в тому, що наявна напруга в мережі відповідає даним, зазначеним на корпусі пристрою.
- Перевірте стан струмопровідного кабелю і подовжувача. У разі виявлення пошкоджень, необхідно замінити кабель.
- Перевірте стан повітряного шланга, в разі виявлення пошкоджень, необхідно замінити його.

### Ввімкнення / вимкнення пристрою

**Перед підключенням пристрою до електромережі, переконайтеся, що вмикач / вимикач 9 знаходиться в нижньому положенні (Off).**

#### Включення:

Вмикач / вимикач **9** перемістіть вгору (див. мал. 8.1).

#### Вимкнення:

Вмикач / вимикач **9** перемістіть вниз (див. мал. 8.2).

### Конструктивні особливості пристрою

#### Автоматичне вмикання / вимикання

Після вмикання пристрій працює в циклічному режимі: реле тиску **10** підтримує постійну величину тиску в ресивері **17**, вмикаючи або вимикаючи пристрій в залежності від споживання стисненого повітря підключеними пневмоінструментами. При включенні пристрою повітря всмоктується через фільтр **18** і нагнітається в ресивер **17** через трубопровід **4**. При досягненні максимального значення тиску (величина цього параметра встановлюється на заводі) спрацьовує реле тиску **10**, і електродвигун відключається. Надлишок повітря з трубопроводу **4** і циліндра **7** випускається через клапан. Таким чином, в циліндрі **7** і в трубопроводі **4** немає надлишкового тиску - це знижує навантаження на електродвигун при наступному запуску пристрою. При падінні тиску всередині ресивера **17** до мінімального значення, електродвигун вмикається, і

пристрій починає нагнітати повітря в ресивер **17**, до тих пір, поки не досягне максимального значення. У такому режимі пристрій працює до тих пір, поки вмикач / вимикач **9** знаходиться у верхньому положенні ("On").

Якщо при досягненні максимального тиску пристрій не відключається автоматично, то надлишковий тиск скидається через запобіжний клапан **21**. В цьому випадку необхідно негайно звернутися до спеціальної ремонтної майстерні **CROWN**.

### Температурний захист

Температурний захист запобігає пошкодженню пристрою, відключаючи його при надмірних навантаженнях і перегріві. Наприклад, при використанні пневмоінструментів, споживання повітря яких перевищує продуктивність пристрою, при засміченому фільтруючому елементі **36** і т.п. Це охороняє електродвигун від перевантаження. При спрацьовуванні температурного захисту, вимкніть пристрій від мережі, усуньте причину, що викликала спрацьовування захисту, дайте пристрою охолонути і тільки тоді продовжуйте роботу.

### Регулювання тиску (див. мал. 8)

Редуктор тиску **14** дозволяє проводити регулювання тиску стисненого повітря у вихідному патрубку **15**, в залежності від потреби.

- Встановлену величину тиску показує манометр **13**.
- Для збільшення тиску - ручку редуктора тиску **14** обертайте в напрямку протилежному руху годинникової стрілки (див. мал. 8).
- Для зменшення тиску - ручку редуктора тиску **14** обертайте в напрямку руху годинникової стрілки.



**Увага: конструкція пристрою передбачає регулювання тиску стисненого повітря тільки на вихідному патрубку 15. Тиск на вихідному патрубку 12 дорівнює тиску всередині ресивера 17 (величину тиску всередині ресивера 17 показує манометр 11).**

### Рекомендації при роботі пристроєм

#### Перед початком роботи

- Встановіть пристрій на рівну горизонтальну поверхню (допустимий ухил не більше 15°), це забезпечить правильне змащування деталей.
- Підключіть до пристрою пневмоінструменти.
- Підключіть пристрій до мережі.
- Для моделей **СТ36046** і **СТ36047** - відкрийте кран на вихідному патрубку **12** або **15** (в залежності від того, до якого з них підключений пневмоінструмент).
- При проведенні робіт пов'язаних з розпиленням рідин упевніться, що на пристрій не потрапляють краплі рідини.
- Якщо при роботі виникла необхідність перемістити пристрій, відключіть його від мережі і скиньте тиск з ресивера **17**, після чого робіть транспортування.
- При виникненні сторонніх звуків, або сильних вібрацій з боку пристрою, негайно вимкніть його і зверніться до сервісного центру **CROWN**.

## Загальні рекомендації

- Увімкніть пристрій.
- За допомогою редуктора тиску **14** встановіть тиск необхідний для роботи.
- Не перевантажуйте пристрій. Режим роботи пристрою повторно-короткочасний з тривалістю включення до 55%, при тривалості одного циклу 6-10 хв. Допускається безперервна робота пристрою протягом 15 хвилин, але не частіше одного разу протягом 1.5 годин.
- При використанні пристрою контролюйте рівень мастила в картері **19**, при необхідності доливайте його.

## Після закінчення роботи

- Вимкніть пристрій.
- Вимкніть пристрій від мережі.
- Скинть тиск в ресивері **17**, потягнувши за кільце запобіжного клапана **21**.
- Злийте конденсат з ресивера **17**, як описано нижче.

## Обслуговування / профілактика пристрою

**Перед проведенням всіх процедур обов'язково вимкніть пристрій, витягніть струмоведучий кабель з розетки і скиньте тиск в ресивері **17** (потягнувши за кільце запобіжного клапана **21**).**

### Чищення апарата

Необхідно періодично очищувати зовнішню поверхню пристрою м'якою щіткою і ганчіркою, а також обдувати деталі пристрою стисненим повітрям. Не використовуйте для очистки пристрою їдкі речовини і розчинники.

### Заміна мастила (див. мал. 6-7)

Після перших 30 годин роботи пристрою (а потім після кожних 150 годин роботи) необхідно проводити заміну мастила. Якщо компресор не використовувався більше 12 місяців, то перед використанням також рекомендується замінити мастило.



**Увага: якщо мастило змінило колір (стало світлим - потрапила вода, стало темним - перегрілося) або в ньому присутні сторонні домішки необхідно негайно замінити його.**

- Встановіть пристрій на рівну горизонтальну поверхню.
- Встановіть під зливний отвір ємність, в яку буде зливатися відпрацьоване мастило (див. мал. 7.2).
- Ганчіркою очистіть область навколо пробки **8** і викрутіть її (див. мал. 7.1).
- Викрутіть заглушку **3**, і дочекайтеся, поки відпрацьоване мастило не перестане витікати зі зливного отвору. Вкрутіть заглушку **3** (див. мал. 7.2).
- Акуратно залийте мастило в картер **19** (рекомендується використовувати ліжку). Рівень мастила - верхня межа червоної точки на оглядовому вікні **20** (див. мал. 6.2). **Увага: не перевищуйте позначки максимального рівня.**
- Вкрутіть пробку **8** (див. мал. 7.1).

## Злив конденсату (див. мал. 9-10)

Після кожного використання або в кінці робочого дня завжди зливайте конденсат з ресивера **17**. Це запобігає появі корозії всередині ресивера **17**.

- Встановіть пристрій на рівну горизонтальну поверхню.
- Підставте під золотник **22** ємність, в яку буде зливатися конденсат.
- Відкрутіть золотник **22** і дочекайтеся повного зливу конденсату (з клапана **22** перестане капати вода) (див. мал. 9-10).
- Закрутіть золотник **22**.

## Чистка повітряного фільтра (див. мал. 11-12)

Регулярно оглядайте фільтруючий елемент **36** повітряного фільтра **18** (його забруднення залежить від стану навколишнього середовища). Проводьте очистку (або заміну) фільтруючого елемента в міру забруднення, але не рідше ніж, через 100 годин використання пристрою. Забруднене повітряний фільтр знижує ККД і сприяє більшому зносу пристрою.

- Встановіть пристрій на рівну горизонтальну поверхню.
- Викрутіть повітряний фільтр **18** (див. мал. 11-12).
- Зніміть кришку **37** з корпусу **35**.
- Вийміть фільтруючий елемент **36**.
- Для моделей **СТ36028**, **СТ36029**: вийміть фільтруючий елемент **36** в воді з милом і ретельно висушіть. **Увага: не використовуйте для промивання фільтруючого елемента **36** бензин, розчинники або їдкі речовини.**
- Для моделей **СТ36046**, **СТ36047**: продіть фільтруючий елемент **36** стисненим повітрям.
- Якщо забруднення фільтруючого елемента **36** надто сильні, і його неможливо очистити - замініть його. Категорично забороняється використовувати пристрій без повітряного фільтра.
- Проведіть збірку повітряного фільтра **18** і встановіть його на місце.

## Перевірка стану ресивера

Регулярно оглядайте ресивер **17** на наявність пошкоджень або слідів корозії. У разі пошкодження ресивера **17**, забороняється проводити самостійний ремонт (механічний, або методом зварювання). Пошкоджений ресивер **17**, повинен замінитися цілком, в спеціальній ремонтній майстерні **CROWN**.

## Післяпродажне обслуговування

Відповіді на питання щодо ремонту та обслуговування вашого продукту Ви можете отримати в сервісних центрах. Інформацію про сервісні центри, схеми запчастин та інформацію по запчастинах Ви можете знайти за адресою: [www.crown-tools.com](http://www.crown-tools.com).

## Транспортування пристрою

- Рухайте пристрій тільки за рукоятку **1**, або переносьте пристрій підтримуючи його знизу. Забороняється переміщувати пристрій за інші частини (під-



тягувати його за шланги або струмоведучий кабель і т.п.).

- Не транспоруйте і не рухайте пристрій не скинувши попередньо тиск з ресивера 17.
- Не допускайте падіння упаковки, а також будь-якого механічного впливу на неї транспортуванні.
- При завантаженні / розвантаженні не використовуйте навантажувальну техніку що працює за принципом затиску упаковки.

## Захист навколишнього середовища



**Увага: не виливайте відпрацьоване мастило, а також конденсат з ресивера 17 на ґрунт, в ґрунт, в водойми або побутову каналізацію. Відпрацьоване**

**мастило має бути зібрано в герметичну ємність і передано в пункт збору технологічних відходів для подальшої утилізації.**



**Переробка сировини замість утилізації відходів.**

Пристрій, додаткове приладдя і упаковку слід екологічно чисто утилізувати. Пристрій, додаткове приладдя і упаковку слід екологічно чисто утилізувати.

В інтересах чистосортної рециркуляції відходів металі із синтетичних матеріалів відповідно позначені. Дійсний посібник з експлуатації надрукований на папері, виготовленій з вторсировини без застосування хлору.



## Құрылғының техникалық сипаттамалары

Пневматикалық компрессор		СТ36046	СТ36028	СТ36029	СТ36047
Құрылғы коды	[220-230 В ~50/60 Гц]	421463	421449	421456	421470
Номиналды қуаты	[Вт] [л.с.]	750 1	1500 2	1500 2	1500 2
Электр тогы кернеуі	220-230 В [А]	6	8	8	8
Номиналды жылдамдық	[мин <sup>-1</sup> ]	2800	2800	2800	2800
Ауа ресиверінің сыйымдылығы	[л]	9	25	50	50
Өнімділігі	[л/мин]	80	135	135	110
Жұмыс қысымы	[МПа] [бар]	0,8 8	0,8 8	0,8 8	0,8 8
Салмағы	[кг] [фунт]	13,8 30.42	22 48.5	28 61.73	27,9 61.51
Қауіпсіздік класы		I	I	I	I
Дыбыс қысымы	[дБ(А)]	—	—	—	—
Акустикалық құші	[дБ(А)]	—	—	—	—
Өлшенетін тербеліс	[м/с <sup>2</sup> ]	—	—	—	—

### Шу туралы ақпарат



Дыбыс қысымы осетін болса, әрдайым құлақ қорғаушысын киіңіз 85 дБ(А)

### Сәйкестік жөнінде мәлімдеме

Біз тек өзімізге жауапкершілік алып, "Құрылғының техникалық сипаттамалары" бөлімінде сипатталған өнім 2006/42/ЕС директиваларының барлық қатысты шарттарына, соның ішінде олардың түзетулеріне сай екенін және келесі стандарттарға сай екенін жариялаймыз: EN1012-1:2010.

Сертификаттау менеджері

Wu Cunzhen

Merit Link International AG  
Stabio, Швейцария, 20.01.2018

### Қауіпсіздік туралы жалпы нұсқаулар



**НАЗАР АУДАРЫҢЫЗ!** Құрылғыны бірінші рет пайдалану алдында осы нұсқауларды мұқият оқып шығып, осында көрсетілген барлық ережелер мен ұсыныстарды сақтаңыз. Бастапқы нұсқауларды болашақта анықтама алу үшін немесе болашақ иесі үшін сақтаңыз.

Осында бар қауіпсіздік шараларына қоса, жалпы заңды қауіпсіздік ережелерін және сәтсіз жағдайларды болдырмау туралы нұсқауларды орындаңыз.

Құрылғыдағы сақтық ескерту тақтайшалары және тұр тақтайшалары қауіпсіз пайдалану үшін керек маңызды ақпаратты қамтиды.

### Электр қауіпсіздігі туралы ұсыныстар

- Электр қосылымдарды тек білікті электрик IEC 60364-1 талаптарына сай орындауы керек.
- Қуат кабелінің ашасы пайдаланылатын розеткаға сай болмаса, қызмет көрсету технигі мұндай ашаны кесіп алып, тиісті ашамен ауыстыруы керек. Бастапқы ашада кірістірілген қорғау құрылғысы болса, ауыстыруға арналған ашада сипаттамалары бірдей қорғау құрылғысы болуы керек. Тоқ соғуын болдырмау үшін кесіп алған ашаны қоқысқа лақтыру керек, розеткаларға қоспау керек.
- Құрылғыны тек 30 мА тізбекті қорғау автоматы бар розеткаға қосу ұсынылады.
- Құрылғыны тек айнымалы тоқ желісіне қосу керек. Кернеу тұр тақтайшасындағы деректерге сай болуы керек.
- Ашаға немесе розеткаға ылғалды қолдармен тимеңіз.
- Пайдалану алдында қуат кабелінде және ашада зақым бар-жоғын тексеріңіз. Аша немесе қуат кабелі зақымдалған болса, құрылғыны пайдаланбаңыз. Тұтынушыларды қолдау қызметіне немесе тәжірибелі электрикке хабарласыңыз.
- Ұзартқыш сым пайдаланылса, оның ашасы, розетка және қуат кабелі толығымен оқшауланған,

Қазақ тілі

шашырандыларға төзімді және сыртта пайдалануға жарамды болуы керек.

- Қуат кабелі және ұзартқыш сымдар шалыну, басу, созу, т.б. арқылы зақымдалмағанын тексеріңіз. Қуат кабельдерін жылудан, мұнай өнімдерінен және үшкір жиектерден зақымданулардан қорғаңыз.
- Кез келген қызмет көрсетуді немесе техникалық қызмет көрсетуді орындағанда құрылғыны өшіріп, ашаны розеткадан ажыратыңыз.
- Құрылғыны қараусыз қалдырғанда әрқашан желіден ажырату қосқышын өшіріңіз.
- Жарамсыз ұзартқыш сымдар қауіпті болуы мүмкін. Сыртта тек пайдалануға мақұлданған және тиісті түрде белгіленген, жеткілікті сымның көлденең қимасы бар сымдарды пайдалануға болады:
  - кабель ұзындығы: 1-10 м, көлденең қима: 1,5 мм<sup>2</sup>;
  - кабель ұзындығы: 10-30 м, көлденең қима: 2,5 мм<sup>2</sup>;
  - кабель ұзындығы: 30-50 м, көлденең қима: 4 мм<sup>2</sup>.
- Кабельдің қызып кетуінен өрт шығуын болдырмау үшін әрқашан кабельді толығымен шығарыңыз.

### Қауіпсіз пайдалану туралы нұсқаулар

- Құрылғыны тек мақсатына сай пайдаланыңыз. Құрылғыны пайдаланып жатқанда маңайдағы адамдарды ескеріп, жергілікті ережелерді сақтаңыз.
- Балалардың құрылғыны пайдалануына қатаң түрде тыйым салынады. Балаларға құрылғымен ойнауға рұқсат етпеңіз.
- Құрылғыны тек пайдалану туралы тиісті оқытудан өткен адамдар пайдалана алады.
- Дене, сезім немесе ақыл-ой қабілеттері шектеулі адамдар (соның ішінде балалар) құрылғыны тек қауіпсіздігіне жауапты адам(дар) қадағаласа немесе нұсқаулар беріп тұрса ғана пайдалана алады.
- Құрылғыны пайдалану кезінде әр әрекет кезінде зейін қойыңыз және сақ болыңыз. Шаршап тұрсаңыз, я болмаса, есірткілердің, спирттік ішімдіктердің немесе дәрілердің әсерінде болсаңыз, құрылғыны пайдаланбаңыз. Пайдалану кезінде зейінді жоғалту ауыр жарақаттарға әкелуі мүмкін.
- Құрылғыны күн күркірегенде немесе қатты жаңбыр кезінде, әсіресе, найзағайлар ұрғанда пайдалануға болмайды.
- Құрылғыны тек тік күйде пайдаланыңыз. Жеткілікті желдетуді қамтамасыз ету және қызып кетуді болдырмау үшін пайдалану кезінде оның бетін жаппаңыз.
- Құрылғының аударылуынан апаттық жағдайдың немесе зақымның туындауына жол бермеу үшін, құрылғымен қандай бір әрекеттерді орындамас бұрын, оның тұрақты орнатылғанына көз жеткізіңіз. Құрылғыны биік жерде, мысалы, мінбеге немесе сатыға орнатылған немесе ілінген күйде пайдалануға қатаң тыйым салынады.
- Құрылғыны пайдаланған кезде сақ болыңыз. Сығылған ауа ағынын ешқашан адамға немесе жануарға бағыттанбаңыз. Жеке қорғаныс жабдықтарын (қорғаныс көзәйнегі, респиратор, қолғап, т.б.) пайдаланыңыз.
- Сығылған ауаны киімді тазалау үшін пайдаланбаңыз. Сығылған ауамен дем алмаңыз.

- Құрылғы конструкциясын өзгерткен жағдайда қысым максималды рұқсат етілген қысым шамасынан аспауы тиіс. Қысымды максималды жұмыс қысымынан асырмаңыз.
- Құрылғыға жалғанатын жабдықта қысым максималды рұқсат етілген мәннен аспауы тиіс.
- Құрылғыны 5°C төмен температурада пайдалануға болмайды.
- Құрылғыны тек тасымалдауға арналған тұтқаларынан ұстап жылжытыңыз. Құрылғыны жылжыту үшін ешқашан ауа шлангісін пайдаланбаңыз.
- Құрылғыны ресивердегі қысымды шығармай тасымалдауға немесе жылжытуға болмайды.
- Құрылғыны пайдаланған кезде абай болыңыз, себебі оның кейбір бөлшектері қатты қызуы мүмкін.
- Құрылғыны тұтанғыш немесе агрессивті құралдардың көмегімен тазалауға болмайды.
- Ресивер күйін үнемі бақылап отырыңыз. Егер ресивер зақымдалса немесе ауа шығатын жерлері анықталса, құрылғыны дереу өшіріп, ресивердегі ауа қысымын шығарыңыз.
- Ресивері зақымдалған құрылғыны пайдалануға қатаң тыйым салынады. Ресиверді жөндеп алып, әрі қарай пайдалануға тыйым салынады. Зақымдалған ресиверді ауыстыру қажет.
- Техникалық қызмет көрсету немесе жөндеу жұмыстарын жүргізбес бұрын, құрылғының қуат көзінен ажыратылғанына көз жеткізіңіз.
- Пайдаланғаннан кейін әрдайым ресивердегі ауа қысымын шығарып, ішіндегі конденсатын төгу қажет.
- Құрылғыны қорғаныс құралдары зақымдалған немесе бөлшектелген күйде пайдалануға болмайды. Ешқашан тиісті түрде жабдықталмаған немесе рұқсатсыз өзгерістер енгізілген құрылғыны пайдаланбаңыз.
- Құрылғы пайдаланушының қатысуынсыз үздіксіз жұмыс істеуге арналған, сондықтан оның тұтанғыш заттардан алыс орнатылғанына және оны тиісті түрде салқындатуға ешқандай сыртқы факторлардың кедергі келтірмейтініне көз жеткізу қажет (құрылғы мен нысандар немесе қабырғалардың ара қашықтығы 50 см кем болмауы тиіс).
- Құрылғыны шаңды жерлерде, сондай-ақ ауа құрамында агрессивті заттардың жарылғыш газдары мен булары бар ортада пайдалануға тыйым салынады.
- Құрылғы тек ауаны сығуға арналған. Оны басқа мақсатта пайдаланбаңыз.
- Құрылғының көмегімен сығылған ауаны медициналық немесе фармацевтикалық мақсатта пайдаланбаңыз.
- Бұл құрылғылар дайвингке арналған баллондарды толтыруға жарамды.
- Жұмыс істеп тұрған құрылғыны ылғал қолмен ұстауға болмайды.
- Құрылғыны әртүрлі мақсатта пайдалану (үрлеу, пневматикалық құралдар мен құрылғыларды сығылған ауа арқылы қуатпен қамтамасыз ету, бояу, жуу, т.б.) үшін пайдаланушы әрбір пайдалану жағдайына қатысты қауіпсіздік ережелерін білуі тиіс.
- Құрылғыны пайдаланып болған соң, оның суығанын күтіңіз. Содан кейін ғана барып оны қаптауға немесе үстіне қорғаныс жабынын кигізуге болады.

## Басқа қауіптер

- Құрылғыны жарылғыш ортада, мысалы, тұтанғыш сұйықтықтар мен газдардың булары, сондай-ақ шаң түріндегі жанғыш зат бөлшектері бар ортада пайдалануға болмайды.
- Сығылған ауа ағынын денсаулыққа зиян келтіруі мүмкін заттары (мысалы, асбест) бар беттерге бағыттамаңыз.
- Құрылғыны сақтау және тасымалдау кезінде ("Құрылғы сипаттамалары" кестесін қараңыз) апаттық жағдайлар мен жарақаттың туындауына жол бермеу үшін құрылғы салмағын есепке алыңыз.

## Құрылғыға техникалық қызмет көрсету

- Құрылғыға техникалық қызмет көрсету жұмыстарын білікті қызметкер жүргізуі тиіс және ұсынылған қосалқы бөлшектер пайдаланылуы қажет. Бұл құрылғы қауіпсіздігінің сақталуын қамтамасыз етеді.
- Майлау нұсқаулары мен керек-жарақтарды ауыстыру бойынша ұсыныстарды қараңыз.

## Басқа қауіптер

- Құрылғыны барлық қауіпсіздік талаптарына сай пайдаланғанның өзінде жарақат алу және зақымдалу қаупі сақталады. Құрылғы конструкциясының ерекшеліктеріне байланысты төмендегідей қауіптер орын алуы мүмкін:
  - сығылған ауаның күшімен ұшып кеткен заттардан жарақат алу және материалдық зақым туындау қаупі;
  - ақаулы керек-жарақтардан немесе жұмыс кезінде көзден таса заттардың күтпеген әсерінен жарақат немесе физикалық зақымның туындауы.

## Нұсқаулықта пайдаланылған таңбалар

Пайдалану нұсқаулығында келесі таңбалар пайдаланылған, олардың мағыналарын есте сақтаңыз. Таңбаларды дұрыс түсіну құрылғыны дұрыс және қауіпсіз пайдалануға мүмкіндік береді.

Таңба	Мағына
	<b>Сериялық нөмір бар жапсырма:</b> СТ ... - үлгі; XX - өндіру күні; XXXXXXX - сериялық нөмір.
	Қауіпсіздік техникасы туралы барлық нұсқаулармен және нұсқаулармен танысыңыз.
	Қорғағыш көзілдірікті киіңіз.

Таңба	Мағына
	Қорғағыш құлаққапты киіңіз.
	Шаңнан қорғайтын масканы киіңіз.
	Монтаждық және реттеу жұмыстарын өткізу алдында электр құралды желіден өшіріңіз.
	Жаңбыр немесе қар жауып жатқанда жұмыс істемейсіз.
	Қозғалыс бағыты.
	Айналу бағыты.
	Бұғатталған.
	Бұғаттаудан шығарылған.
I	Қорғау сыныбы.
	Бұйым ЕО директиваларының негізгі талаптарына және Еуропалық Одақтың үйлестірілген стандарттарына сай екенін куәландыратын белгі.
	Назар аударыңыз. Маңызды ақпарат.
	Пайдалы ақпарат.
	Құрылғыны тұрмыстық қоқыс контейнеріне лақтыруға болмайды.

## Құрылғының мақсаты

Компрессор әртүрлі пневматикалық аспап-құралдар мен құрылғыларды сығылған ауамен қамтамасыз ету үшін жасалған.

Компрессорды пайдалану электр қуатын үнемдеуге, жұмысты механикаландыруға және жұмыс жылдамдығын арттыруға мүмкіндік береді. Өртүрлі пневматикалық құралдар компрессордың қолданылу аясын кеңейтеді (мысалы: бұрғылау, ажарлау, айдап шығару, бояу және жуғыш заттарды бұрку арқылы жуу, т.б.).



**Кейбір элементтерді бекіту / ажырату / реттеу барлық құрылғы үлгілерінде бірдей болса, суретте нақты үлгілер көрсетілмейді.**

**Резеңке таяныштарды жинау / бөлшектеу (1-2 сур. қараңыз)**

- Резеңке таяныштарды **5** 1-2 суретте көрсетілгендей орнатыңыз.
- Оларды керісінше ретпен бөлшектеңіз.

**Дөңгелектерді жинау / бөлшектеу (3-сур. қараңыз)**

**[СТ36028, СТ36029, СТ36047]**

- Дөңгелектерді **2** 3-суретте көрсетілгендей орнатыңыз.
- Оларды керісінше ретпен бөлшектеңіз.

**Ауа шлангісін жалғау / ажырату (4-5 сур. қараңыз)**

**[СТ36046, СТ36047]**

- Шланг қысқышын **32** шланг **31** ұшына тіркеңіз (4.1 сур. қараңыз).
- Фитингіні **24** орнатыңыз.
- Шланг қысқышын **32** қысып бұраңыз.
- Жалғаған кезде, шығыс фитингіні **12** немесе **15** фитингіге **24** бұраңыз (4.2 сур. қараңыз).
- Ажыратқан кезде, фитингіні **24** бұрап шығарыңыз.

**[СТ36028, СТ36029]**

- Жалғаған кезде, жылдам ауыстырылатын фитингіні **33** шығыс фитингіге **12** немесе **15** шертілген дыбыс естілгенше кіргізіңіз (5.1 сур. қараңыз).
- Ажыратқан кезде, 5.2 суретте көрсетілгендей жылдам ауыстырылатын қосылым ішпегін жылжытып, жылдам ауыстырылатын фитингіні **33** алып тастаңыз.

## Құрылғы құрамдастары

- 1 Тасымалдауға арналған тұтқа
- 2 Дөңгелек \*
- 3 Майды ағызу тығыны
- 4 Түтік
- 5 Резеңке таяныш \*
- 6 Корпус
- 7 Цилиндр
- 8 Клапан тығыны
- 9 Қосқыш
- 10 Қысым релесі (прессостат)
- 11 Ресивер манометрі
- 12 Шығыс фитинг (реттелмейтін қысым)
- 13 Реттелетін қысым манометрі
- 14 Қысым реттегіші
- 15 Шығыс фитинг (реттелетін қысым)
- 16 Бекіткіш клапан
- 17 Ресивер
- 18 Ауа сүзгісі (жинақ)
- 19 Картер
- 20 Май деңгейін бақылауға арналған қарау терезесі
- 21 Сақтандырғыш клапан
- 22 Ағызу клапаны
- 23 Май бөтелкесі \*
- 24 Фитинг \*
- 25 Резеңке таянышты орнатуға арналған сомын \*
- 26 Резеңке таянышты орнатуға арналған бұрандама \*
- 27 Резеңке таянышты орнатуға арналған тығырық \*
- 28 Дөңгелекті орнатуға арналған істік \*
- 29 Дөңгелекті орнатуға арналған тығырық \*
- 30 Дөңгелекті орнатуға арналған сомын \*
- 31 Шланг
- 32 Шланг қысқышы \*
- 33 Жылдам ауыстырылатын фитинг \*
- 34 Тығын \*
- 35 Ауа сүзгісінің корпусы
- 36 Сүзгіш элемент \*
- 37 Ауа сүзгісінің қақпағы

\* Қосымша құрамдастар

Кейбір суреттелген немесе сипатталған құрамдастар стандарттық жабдықтау ретінде қосылмаған.

## Құрылғы элементтерін орнату және реттеу

Кез келген процедураларды орындамас бұрын, құрылғыны өшіріп, ток өткізгіш кабельді розеткадан ажыратыңыз да, ресивер 17 қысымын шығарыңыз (ол үшін сақтандырғыш клапан 21 сақинасын тартыңыз).



**Бекіткіш бөлшектер бұрандаларын бұзып алмау үшін тым қатты тартпаңыз.**

## Құрылғыны бастапқы пайдалану

**Май құю (6-7 сур. қараңыз)**



**Назар аударыңыз:** құрылғы өндірушісі тасымалдауға қатысты техникалық шарттарды бұзбау үшін картерге 19 май құймайды. Сондықтан оны пайдаланбас бұрын, құрылғыға ұсынылатын маркалы майды құю қажет. Картерінде 19 майы жоқ немесе май деңгейі минималды шамадан аз құрылғыны пайдалану оның зақымдалуына әкеп соғады. Мұндай жағдайда кепілдік бойынша жөндеу қызметтерін пайдалану құқығынан айырыласыз.

- Құрылғыны тегіс көлденең бетке қойыңыз.
- Май саңылауының айналасындағы аймақты шуберекпен тазалап, тығынды **34** алыңыз (6.1 сур. қараңыз).
- Картерге **19** ақырындап май құйыңыз (құйғышты пайдалану ұсынылады). Май деңгейі қарау терезесіндегі **20** қызыл түсті нүктеден жоғары болуы тиіс (6.2 сур. қараңыз). 5 минут күтіп, май деңгейін қайта тексеріңіз. Қажет болса, май деңгейін

Қазақ тілі

максималды деңгей белгісіне дейін жеткізіңіз. Назар аударыңыз: май деңгейін максималды деңгей белгісінен асырмаңыз.

• Тығынды 8 7.1 суретте көрсетілгендей орнатыңыз. Назар аударыңыз: тығында 8 қартер 19 ішінде қысымның артуына жол бермейтін арнайы клапан бар. Тығынды 8 басқа тығынмен 34 немесе басқа заттармен алмастыруға қатаң тыйым салынады.

• Құрылғыны алғаш рет іске қосқан кезде және ұзақ уақыттан кейін пайдаланылған кезде майдың қартерге 19 біркелкі құйылуын қамтамасыз ету үшін құрылғыны ешқандай жүктемесіз 5 минутқа қосуға кеңес беріледі. Ол үшін ағызу клапанын 22 бұрап шығарыңыз (конденсатты төккен кездегідей; төмендегі сипаттаманы қараңыз). Содан кейін сақтандырғыш клапанының 21 сақинасын тартып, ұстап тұрыңыз да, құрылғыны қосыңыз.



Үстеп құю үшін құрылғымен бірге берілген майды пайдаланыңыз. Сондай-ақ SAE30 (егер құрылғы 10°C жоғары температурада пайдаланылса) немесе SAE10 (егер 10°C төмен температурада пайдаланылса) мотор майын пайдалануға болады. Өртүрлі сыныпқа жататын майларды араластырып пайдаланбаңыз.

### Құрылғыны пайдалану алдында

- Кернеу құрылғыда басылған техникалық сипаттамаларға сай екенін тексеріңіз.
- Қуат кабелінің және ұзартқыш сымның күйін тексеріңіз; кез келген зақым анықталса, кабельді ауыстыру керек.
- Ауа шлангісінің күйін тексеріңіз. Зақымдалған болса, ауыстырыңыз.

### Құрылғыны қосу / өшіру

Құрылғыны қуат көзіне қоспас бұрын, қосқыштың 9 төмен қаратылғанына (Off) көз жеткізіңіз.

#### Қосу:

Қосқышты 9 жоғарыға жылжытыңыз (8.1 сур. қараңыз).

#### Өшіру:

Қосқышты 9 төменге жылжытыңыз (8.2 сур. қараңыз).

### Құрылғының дизайн мүмкіндіктері

#### Автоматты түрде қосу / өшіру

Құрылғыны өшіргеннен кейін, ол циклдік режимде жұмыс істейді: қысым релесі 10 ресиверде 17 тұрақты қысым шамасын ұстап тұрады; құрылғыны қосу / өшіру сығылған ауаның қосылған пневматикалық құралдарда қалай тұтынылатынына байланысты болады. Құрылғыны қосқан кезде, ауа ауа сүзгісі 18 арқылы тартылып, түтік 4 арқылы ресиверге 17 құйылады. Қысым максималды мәнге жеткен кезде (бұл параметр мәні зауытта орнатылады), қысым релесі 10 белсендіріліп, электр жетек өшеді. Түтік 4 пен цилиндрдегі 7 артық ауа клапан арқылы шығарылады. Сондықтан

цилиндр 7 мен түтікте 4 артық қысым болмайды. Бұл өз кезегінде құрылғы келесі жолы іске қосылған кезде электр жетекке түсетін жүктемені азайтады. Егер ресивердегі 17 қысым минималды мәннен төмендеп кетсе, электр жетек іске қосылады да, құрылғы ауаны қысым максималды мәнге жеткенше ресиверге 17 айдайды. Құрылғы бұл режимде қосқыш 9 көтерілген күйде ("On") тұрғанша жұмыс істейді.

Егер қысым максималды мәнге жеткен кезде, құрылғы өшпесе, артық қысым сақтандырғыш клапан 21 арқылы шығарылады. Мұндай жағдайда дереу арнайы CROWN жөндеу шеберханасына хабарласу қажет.

### Температуралық қорғаныс

Температуралық қорғаныс құрылғыны шамадан тыс жүктеме немесе қызып кету жағдайында өшіру арқылы оны зақымдалудан қорғайды. Мысалы, ауа тұтынылуы құрылғы өнімділігінен асатын пневматикалық құралдарды пайдаланғанда немесе сүзгіш элемент 36 бітелген кезде, т.б. Бұл электр жетекті шамадан тыс жүктемеден қорғайды. Температуралық қорғаныс белсендірілген кезде, құрылғыны қуат көзінен ажыратып, бұл функцияның белсендірілу себебін жойыңыз. Содан кейін құрылғыны суытып, жұмысты жалғастырыңыз.

### Қысымды реттеу (8-сур. қараңыз)

Қысым реттегіші 14 шығыс фитингтегі 15 сығылған ауа қысымын тиісінше реттеуге мүмкіндік береді.

- Манометр 13 орнатылған қысым мәнін көрсетеді.
- Қысымды арттыру үшін қысым реттегішінің 14 тұтқасын сағат тіліне қарсы бағытта бұрыңыз (8-сур. қараңыз).
- Қысымды азайту үшін, қысым реттегішінің 14 тұтқасын сағат тілі бағытымен бұрыңыз.



Назар аударыңыз: құрылғы конструкциясы тек бір шығыс фитингтегі 15 сығылған ауа қысымын реттеуге мүмкіндік береді. Басқа шығыс фитингтегі 12 қысым ресивер 17 ішіндегі қысыммен бірдей (ресивердегі 17 қысым мәні манометрде 11 көрсетіледі).

### Құрылғыны пайдалану туралы ұсыныстар

#### Жұмысты бастамас бұрын

- Құрылғыны тегіс көлденең бетке қойыңыз (бет көлбеулігі 15° аспауы тиіс). Бұл бөлшектердің тиісті түрде майлануына мүмкіндік береді.
- Құрылғыға пневматикалық құралдарды жалғанңыз.
- Құрылғыны қуат көзіне жалғанңыз.
- **CT36046** және **CT36047** үлгілері үшін: шығыс фитингтегі 12 немесе 15 клапанды ашыңыз (пневматикалық құралдың қайсысына жалғанғанына байланысты).
- Сұйықтықтарды бұрқуға қатысты жұмыстарды орындаған кезде, сұйықтықтың құрылғыға тамып кетпеуін қадағалаңыз.
- Егер жұмыс кезінде құрылғыны жылжыту қажет болса, оны қуат көзінен ажыратып,

ресивер **17** қысымын шығарып, содан кейін барып тасымалдаңыз.

• Егер құрылғы бөлшектерінен бөгде дыбыстар естілсе немесе қатты діріл байқалса, оны дереу өшіріп, **CROWN** қызмет көрсету орталығына хабарласыңыз.

### Жалпы ұсыныстар

- Құрылғыны қосыңыз.
- Қысым реттегішінің **14** көмегімен жұмысқа қажетті қысымды орнатыңыз.
- Құрылғыға шамадан тыс жүктеме түсірмеңіз. Құрылғының жұмыс режимі үздіксіз, қосылу ұзақтығы - 55%, ал цикл ұзақтығы - 6-10 минут. Құрылғыны 15 минут бойы үздіксіз пайдалануға рұқсат етіледі, бірақ 1.5 сағатта бір рет қана осылай үздіксіз пайдалануға болады.
- Құрылғыны пайдалану барысында қартердегі **19** май деңгейін бақылап отырыңыз. Қажет болса, май құйыңыз.

### Жұмысты аяқтаған соң

- Құрылғыны өшіріңіз.
- Құрылғыны қуат көзінен ажыратыңыз.
- Сақтандырғыш клапаның **21** сақинасын тартып, ресивер **17** қысымын шығарыңыз.
- Төменде сипатталғандай, ресиверден **17** конденсатты ағызып тастаңыз.

## Құрылғыға техникалық қызмет көрсету / алдын-алу шаралары

Кез келген процедураларды орындамас бұрын, құрылғыны өшіріп, ток өткізгіш кабельді розеткадан ажыратыңыз да, ресивер **17** қысымын шығарыңыз (ол үшін сақтандырғыш клапан **21** сақинасын тартыңыз).

### Құрылғыны тазалау

Құрылғының сыртқы бетін мерзімді түрде жұмсақ қылшақ пен шүберектің көмегімен, ал құрылғы бөлшектерін сығылған ауамен үрлеп тазалап тұру қажет. Құрылғыны тазалау үшін күйдіргіш заттар мен еріткіштерді пайдаланбаңыз.

### Майды ауыстыру (6-7 сур. қараңыз)

Құрылғының алғашқы 30 сағаттық жұмысынан кейін (және әрі қарай әрбір 150 сағаттық жұмыстан кейін) майды ауыстыру қажет. Сондай-ақ майды компрессор 12 жылдан астам уақыт бойы пайдаланылған жағдайда да ауыстыру ұсынылады.



**Назар аударыңыз:** егер май түсі өзгерсе (ашық болып кетсе - су енген, күнгірттеніп кетсе - қатты қызып кеткен) немесе құрамында бөтен қоспалар болса, оны дереу ауыстыруыңыз қажет.

- Құрылғыны тегіс көлденең бетке қойыңыз.
- Ағызу саңылауының астына пайдаланылған майды төгу үшін контейнер қойыңыз (7.2 сур. қараңыз).

• Тығын **8** айналасын шүберекпен сүртіп, бұрап шығарыңыз (7.1 сур. қараңыз).

• Тығын **3** айналасын шүберекпен сүртіп, бұрап шығарыңыз да, ағызу саңылауынан май ағып біткенше күтіңіз. Тығынды **3** бұрап салыңыз (7.2 сур. қараңыз).

• Қартерге **19** ақырындап май құйыңыз (құйғышты пайдалану ұсынылады). Май деңгейі қарау терезесіндегі **20** қызыл түсті нүктеден жоғары болуы тиіс (6.2 сур. қараңыз). **Назар аударыңыз: май деңгейін максималды деңгей белгісінен асырмаңыз.**

• Тығынды **8** бұрап салыңыз (7.1 сур. қараңыз).

### Конденсатты төгу (9-10 сур. қараңыз)

Әрбір қолданыстан кейін немесе әрбір жұмыс күнінен соң ресиверден **17** конденсатты төгіп отырыңыз. Бұл ресиверде **17** коррозияның пайда болуының алдын алады.

- Құрылғыны тегіс көлденең бетке қойыңыз.
- Ағызу клапанының **22** астына конденсатты төгу үшін контейнер қойыңыз.
- Ағызу клапанын **22** бұрап шығарып, конденсат толық ағып болғанша күтіңіз (клапаннан **22** судың ағуы тоқтайды) (9-10 сур. қараңыз).
- Ағызу клапанын **22** бұрап салыңыз.

### Ауа сүзгісін тазалау (11-12 сур. қараңыз)

Ауа сүзгісінің **18** сүзгіш элементін **36** мерзімді түрде тексеріп тұрыңыз (оның ластануы орта жағдайларына байланысты). Сүзгіш элементті ластанған бойда тазалап (немесе ауыстырып) отырыңыз. Тазалау / ауыстыру процедуралары құрылғы жұмысының кем дегенде 100 сағаты сайын жүргізілуі тиіс. Ластанған ауа сүзгісі тиімділік коэффициентін азайтып, құрылғының тез тозуына себеп болады.

- Құрылғыны тегіс көлденең бетке қойыңыз.
- Ауа сүзгісін **18** бұрап шығарыңыз (11-12 сур. қараңыз).
- Қақпақты **37** корпустаң **35** шығарыңыз.
- Сүзгіш элементті **36** алып тастаңыз.
- **CT36028**, **CT36029** үлгілері үшін: сүзгіш элементті **36** сабын ерітіндісімен жуып, өбден құрғатыңыз. **Назар аударыңыз: сүзгіш элементті шаю үшін бензин еріткіш немесе агрессивті құралдарды пайдаланбаңыз.**
- **CT36046**, **CT36047** үлгілері үшін: сүзгіш элементті **36** сығылған ауамен үрлеп тазартыңыз.
- Егер сүзгіш элемент **36** ішіндегі қоспалар тым ауыр және тазаланбайтындай болса, оны ауыстырыңыз. Құрылғыны ауа сүзгісінің пайдалануға қатаң тыйым салынады.
- Ауа сүзгісін **18** жинап, қайта орнатыңыз.

### Ресивер күйін тексеру

Ресиверде **17**зақым немесе коррозия белгілерінің бар-жоқтығын мерзімді түрде тексеріп отырыңыз. Егер ресивер **17**зақымдалған болса, жөндеу жұмыстарын (механикалық түрде немесе дәнекерлеу арқылы) өз бетінше жүргізуге тыйым салынады. Зақымдалған ресивер **17** толықтай арнайы **CROWN** жөндеу шеберханасында ауыстырылуы тиіс.



## Сатудан кейінгі қызмет және өтінім бойынша қызмет

Біздің сатудан кейінгі қызмет өнімге техникалық қызмет көрсетуге және оны жөндеуге, сонымен бірге, қосалқы бөлшектерге қатысты сұрақтарыңызға жауап береді. Сондай-ақ, сервистік орталықтар туралы ақпаратты, бөліктердің диаграммаларын және қосалқы бөлшектер туралы ақпаратты мына бетте табуға болады: [www.crown-tools.com](http://www.crown-tools.com).

## Құрылғыларды тасымалдау

- Құрылғыны тек тұтқасынан **1** ұстап немесе астынан ұстап көтеру арқылы жылжытыңыз. Құрылғыны басқа бөлшектерінен ұстап (шлангілерінен, қуат кабелінен немесе т.б. бөлшектерінен тартып) жылжытуға болмайды.
- Құрылғыны ресиверінен **17** қысымды шығармай тасымалдауға және жылжытуға болмайды.
- Тасымалдау кезінде қаптамаға ешбір механикалық әсерді тигізуге болмайды.
- Жүкті түсіргенде / жүктегенде қысып орау қағидатымен жұмыс істейтін ешбір технология түрін пайдалануға рұқсат етілмеген.

## Қоршаған ортаны сақтау



**Назар аударыңыз:** пайдаланылмайтын майды, сондай-ақ ресивердегі **17** конденсатты топыраққа, жерге, су қоймаларына немесе тұрмыстық кәріз жүйесіне төгіп тастауға болмайды. Пайдаланылған майды герметикалық контейнерге жинап, әрі қарай кәдеге жарату үшін өнеркәсіптік қалдықтарды жинау орнына өткізу қажет.



**Шикізатты қоқыс ретінде пайдаға асырудың орнына қайта қолдануға жіберіңіз.**

■ Құрылғыны, қосалқы құралдарды және орауышты қоршаған ортаға зиянсыз қайта өңдеу үшін сұрыптау керек. Пластикалық компоненттер сыныпталған қайта қолдану үшін белгіленген. Бұл нұсқаулар қайта қолданылатын хлорин қосылмаған қағазда басып шығарылған.

Өндіруші өзгерістер енгізуі мүмкін.

Қазақ тілі



## نقل الأجزاء

افحص عنصر الفلتر 36 الخاص بفلتر الهواء 18 بانتظام (يعتمد تَلَوُّثُهُ على حالة البيئة). نَظِّف عنصر الفلتر (أو استبدله) عندما يصبح متسخًا، ولكن بعد مرور 100 ساعة على الأقل من استخدام الجهاز. يقلل فلتر الهواء الملوث من عامل الكفاءة ويساهم في زيادة استهلاك الجهاز.

- لا تحرك الجهاز إلا باستخدام المقبض 1 أو حملة ودعمه من القاعدة. لا تحرك الجهاز عن طريق أجزاء أخرى (عن طريق سحب الخراطيم أو كابل الطاقة أو غيره).
- لا تقم بنقل الجهاز أو تحريكه دون تخفيف الضغط من المستقبل 17.
- بشكل قاطع لا تسقط أي تأثير ميكانيكي على العبوة أثناء النقل.
- عند التفريغ / التحميل لا يجوز استخدام أي نوع من التقنيات التي تعمل بمبدأ قسطنطين الحمل.

## حماية البيئة

تنبيه: لا تتخلص من الزيت المستخدم، وكذلك التكتيف من المستقبل 17، على التربة أو على الأرض أو المسطحات المائية أو مياه الصرف الصحي. يجب جمع الزيت المستخدم في وعاء محكم الإغلاق ونقله إلى نقطة تجميع النفايات المعالجة للتخلص منه نهائيًا.



قم بإعادة تدوير المواد الخام بدلاً من التخلص منها كنفايات.



يجب أن يفرز الجهاز والملحقات والتعبئة والتغليف لعملية إعادة تدوير صديقة للبيئة.

توجد علامات على المكونات البلاستيكية لإعادة التدوير حسب الفئة. هذه التعليمات مطبوعة على ورق معاد تدويره ومصنع دون كلور.

- ضع الجهاز على سطح أفقي مستوي.
- قم بفك فلتر الزيت 18 (انظر الشكل 11-12).
- قم بإزالة الغطاء 37 من المبيت 35.
- قم بإزالة عنصر الفلتر 36.
- بالنسبة إلى طرازات CT36029 و CT36028: اغسل عنصر الفلتر 36 بالماء والصابون، وجففه جيدًا. تنبيه: لا تستخدم البنزين أو المذيبات أو المواد المسببة للتآكل في غسل عنصر الفلتر.
- بالنسبة إلى الطرازات CT36047 و CT36046: انفخ عنصر الفلتر 36 بالهواء المضغوط.
- إذا كانت الشوائب من عنصر الفلتر 36 كثيفة جدًا ولا يمكن تنظيفها، فاستبدله. يُحظر تمامًا استخدام الجهاز دون فلتر هواء.
- قم بتجميع فلتر الهواء 18 وإعادة تثبيته مرة أخرى.

## التحقق من حالة المستقبل

افحص المستقبل 17 بانتظام للبحث عن علامات للتلف أو التآكل. في حالة تلف المستقبل 17، يحظر إجراء إصلاحات مستقلة (ميكانيكية أو عن طريق اللحام). يجب استبدال المستقبل التالف 17 بالكامل في ورشة إصلاح CROWN المخصصة.

## خدمات ما بعد البيع وخدمة التركيب

تستجيب خدمة ما بعد البيع لدينا لأسئلتك المتعلقة بالصيانة والإصلاح للمنتج الخاص بك وكذلك قطع الغيار. ويمكن أيضا الحصول على معلومات عن

7 من خلال الصمام. ومن ثم، لا يوجد ضغط زائد في الأسطوانة 7 والأنابيب  
4 - وهذا يقلل من الحمل على المحرك الكهربائي عندما يتم تشغيل الجهاز في  
المرّة القادمة. إذا انخفض الضغط داخل المستقبل 17 إلى الحد الأدنى للقيمة،  
فسيتم تشغيل المحرك الكهربائي ويبدأ الجهاز في ضخ الهواء إلى المستقبل 17  
حتى يصل إلى القيمة القصوى. يعمل الجهاز في هذا الوضع طالما أن مفتاح  
التشغيل/إيقاف التشغيل 9 في الوضع العلوي ("On").

إذا لم يتم إيقاف تشغيل الجهاز تلقائيًا عند الوصول إلى أقصى ضغط،  
فسيتم تفريغ الضغط الزائد من خلال صمام الأمان 21. في هذه الحالة، من  
الضروري الاتصال بورشة إصلاح CROWN مخصصة.

### بعد الانتهاء من العملية

- قم بإيقاف تشغيل الجهاز.
- افصل الجهاز من التيار الكهربائي.
- اسحب بواسطة حلقة صمام الأمان 21، وقم بتفريغ ضغط المستقبل 17.
- قم بتصريف التكتيف من المستقبل 17، كما هو موضح أدناه.

### حماية درجة الحرارة

تتم حماية درجة الحرارة تلف الجهاز، وتقوم بإيقاف تشغيله أثناء الأحمال  
الزائدة وارتفاع درجة الحرارة. على سبيل المثال، عند استخدام الأدوات  
الهوائية التي تستهلك هواءً يتجاوز سعة الجهاز أو عند انسداد عنصر الفلتر  
36 أو غير ذلك، يحمي هذا المحرك الكهربائي من الحمل الزائد. عند تنشيط  
حماية درجة الحرارة، افصل الجهاز من التيار الكهربائي، واقض على السبب  
الذي أدى إلى تشغيل الحماية، ودع الجهاز يبرد، وبعد ذلك استمر في العمل.

### ضبط الضغط (انظر الشكل 8)

يسمح لك منظم الضغط 14 بضبط ضغط الهواء المضغوط في تركيبة المنفذ  
15، كما لو كان مطلوبًا.

- يظهر مقياس الضغط 13 قيمة الضغط المحدد.
- لزيادة الضغط، أدر مقبض منظم الضغط 14 عكس اتجاه عقارب الساعة  
(انظر الشكل 8).
- لخفض الضغط، أدر مقبض منظم الضغط 14 في اتجاه عقارب الساعة.

### تدابير صيانة الجهاز / التدابير الوقائية

قبل القيام بأي إجراءات، تأكد من إيقاف تشغيل الجهاز، وإزالة كابل الحمل  
الحالي من المآخذ وتفريغ الضغط في المستقبل 17 (سحب بواسطة حلقة  
صمام الأمان 21).

### تنظيف الجهاز

يجب تنظيف السطح الخارجي للجهاز بشكل دوري بفرشاة ناعمة وقطعة  
قماش، ونفخ أجزاء الجهاز بالهواء المضغوط. لا تستخدم المواد الكاوية أو  
المذيبات لتنظيف الجهاز.

### تغيير الزيت (انظر الشكل 6-7)

يلزم تغيير الزيت بعد أول 30 ساعة من تشغيل الجهاز (ثم بعد كل 150 ساعة  
من التشغيل). إذا لم يتم استخدام الضاغط لأكثر من 12 شهرًا، فيوصى أيضًا  
بتغيير الزيت قبل التشغيل.

تنبيه: إذا تغير لون الزيت (أصبح خفيفًا - دخل الماء إليه،  
أو أصبح داكنًا - تعرّض لدرجة حرارة زائدة) أو كانت هناك  
شوائب خارجية فيه، فيجب عليك تغييره فورًا.



- ضع الجهاز على سطح أفقي مستو.
- ضع وعاء أسفل فتحة التصريف ليتم تصريف الزيت المستخدم فيه (انظر  
الشكل 7.2).

• نظف المنطقة المحيطة بالسدادة 8 باستخدام قطعة قماش وفكها (انظر  
الشكل 7.1).

• نظف المنطقة المحيطة بالسدادة 3 باستخدام قطعة قماش وفكها، وانتظر  
حتى يتوقف تدفق الزيت المستخدم من فتحة التصريف. اربط السدادة 3 (انظر  
الشكل 7.2).

• صب الزيت بعناية في علبة المرافق 19 (من المستحسن استخدام قمع).  
مستوى الزيت هو الحد الأعلى للنقطة الحمراء في منفذ العرض 20 (انظر  
الشكل 6.2). تنبيه: لا تتجاوز علامة المستوى الأقصى.

• اربط السدادة 8 (انظر الشكل 7.1).

### تصريف التكتيف (انظر الشكل 9-10)

بعد كل استخدام أو بعد يوم عمل، قم دائمًا بتصريف التكتيف من المستقبل 17.  
وهذا يمنع حدوث التآكل داخل المستقبل 17.

- ضع الجهاز على سطح أفقي مستو.
- ضع وعاء أسفل صمام التصريف 22، حيث سيتم تصريف التكتيف.
- قم بفك صمام التصريف 22 وانتظر حتى يتم تصريف التكتيف تمامًا  
(سيوقف تصريف الماء من الصمام 22) (انظر الشكل 9-10).
- قم بفك صمام التصريف 22.

تنبيه: يسمح بتصميم الجهاز بضبط ضغط الهواء المضغوط فقط  
في تركيبة المنفذ 15. الضغط في تركيبة المنفذ 12 يساوي  
الضغط داخل المستقبل 17 (يتم عرض قيمة الضغط داخل  
المستقبل 17 على مقياس الضغط 11).



### توصيات حول تشغيل الجهاز

#### قبل بدء العمل

- ضع الجهاز على سطح أفقي مستو (الانحدار المسموح به أقل من 15  
درجة)، وهذا يضمن التشحيم السليم للأجزاء.
- وصل الأدوات الهوائية بالجهاز.
- وصل الجهاز بالتيار الكهربائي.
- بالنسبة إلى الطرازات CT36046 و CT36047 - افتح الصمام على  
تركيبة المنفذ 12 أو 15 (اعتمادًا على أي منهما يتم توصيله بالأداة الهوائية).
- عند تنفيذ الأعمال المتعلقة برش السوائل، تأكد من عدم سقوط قطرات من  
السائل على الجهاز.
- إذا كنت بحاجة إلى تحريك الجهاز أثناء التشغيل، فقم بفصله عن مصدر  
التيار الكهربائي وتفريغ ضغط المستقبل 17، وبعد ذلك انقله.
- في حالة وجود أصوات جانبية أو اهتزازات قوية من جانب الجهاز، قم  
بإيقاف تشغيله فورًا واتصل بمركز خدمة CROWN.

#### التوصيات العامة

- شغل الجهاز.
- قم بتعيين الضغط المطلوب للتشغيل باستخدام منظم الضغط 14.
- لا تُحْمَلِ الجهاز حملًا زائدًا. يكون وضع تشغيل الجهاز متقطعًا مع عامل

تشغيل الجهاز دون زيت في علبه المرافق 19 أو بمستوى زيت أقل من الحد الأدنى إلى تلف الجهاز. وفي هذه الحالة، سوف تفقد الحق في الحصول على خدمة إصلاح الضمان.

- ضع الجهاز على سطح أفقي مستو.
- نظف المنطقة حول فتحة الزيت بقطعة قماش وأزل السدادة 34 (انظر الشكل 6.1).

• صب الزيت بعناية في علبه المرافق 19 (يوصى باستخدام قمع). مستوى الزيت هو الحد الأعلى للنقطة الحمراء في منفذ العرض 20 (انظر الشكل 6.2). انتظر لمدة 5 دقائق ثم تحقق من مستوى الزيت مرة أخرى، واملأ مجدداً إلى علامة المستوى الأقصى، إذا لزم الأمر. تنبيه: لا تتجاوز علامة المستوى الأقصى.

• قم بتنظيف السدادة 8 كما هو موضح في الشكل 7.1. تنبيه: تتضمن السدادة 8 صماماً خاصاً يمنع زيادة الضغط داخل علبه المرافق 19. يحظر تماماً استبدال السدادة 8 بالأشياء الأخرى.

• لضمان التوزيع المستوي للزيت في علبه المرافق 19 عند بدء التشغيل الأول وبعد وقت الخمول الطويل، يوصى بالسماح بتشغيل الجهاز دون تحميل لمدة 5 دقائق. للقيام بذلك، فك صمام التصريف 22 (كما هو الحال عند تصريف التكثيف، انظر الوصف أدناه)، واسحبه أيضاً من حلقة صمام الأمان 21 وأمسكه، ثم شغل الجهاز.

إعادة الملء، استخدم الزيت المورد مع الجهاز. يمكنك أيضاً استخدام زيت المحرك - SAE30 (إذا كان الجهاز يُستخدم في درجة حرارة أعلى من 10 درجات مئوية) أو SAE10 (إذا كان الجهاز يستخدم في درجات حرارة أقل من 10 درجات مئوية). لا تخلط الزيوت ذات الدرجات المختلفة.



#### قبل تشغيل الجهاز

- التأكد من مطابقة الجهد للمواصفات الفنية المطبوعة على الجهاز.
- تحقق من حالة كابل الكهرباء وسلك التمديد؛ إذا وجد أي ضرر، فيجب أن يتم استبدال الكابل.
- تحقق من حالة خرطوم الهواء. وإذا كان تالفًا، فاستبدله.

#### تشغيل الجهاز / إيقاف تشغيله

قبل توصيل الجهاز بمصدر التيار الكهربائي، تأكد من أن مفتاح التشغيل/إيقاف التشغيل 9 في الوضع السفلي (Off).

#### التشغيل:

حرك مفتاح التشغيل/إيقاف التشغيل 9 لأعلى (انظر الشكل 8.1).

#### إيقاف التشغيل:

حرك مفتاح التشغيل/إيقاف التشغيل 9 لأسفل (انظر الشكل 8.2).

#### خصائص تصميم الجهاز

#### التشغيل / إيقاف التشغيل تلقائياً

بعد التشغيل، يعمل الجهاز في وضع دوري: يحافظ مرحل الضغط 10 على قيمة الضغط الثابت في المستقبل 17، وتشغيل/إيقاف تشغيل الجهاز اعتماداً على استهلاك الهواء المضغوط عن طريق الأدوات الهوائية المتصلة. عندما يتم تشغيل الجهاز، يتم امتصاص الهواء من خلال فلتر الهواء 18 ويحقن في المستقبل 17 من خلال الأنابيب 4. عند الوصول إلى أقصى قيمة ضغط (يتم تعيين قيمة هذه المعلمة في المصنع)، يتم تشغيل مرحل الضغط 10 ويتم إيقاف تشغيل المحرك الكهربائي. يتم تفريغ الهواء الزائد من الأنابيب 4 والأسطوانة

لا يتم تضمين كل الملحقات الموضحة أو الموصوفة في التسليم القياسي.

#### التركيب وتنظيم عناصر الجهاز

قبل القيام بأي إجراءات، تأكد من إيقاف تشغيل الجهاز، وإزالة كابل الحمل الحالي من المآخذ وتفريغ الضغط في المستقبل 17 (سحب بواسطة حلقة صمام الأمان 21).

لا تتبالغ في إحكام ربط عناصر الربط لتجنب إلحاق ضرر بسن اللوالب.



التركيب / فك التركيب / الإعداد لبعض العناصر يتمثل في جميع الطرازات والأجهزة، وفي هذه الحالة لا تتم الإشارة إلى نماذج محددة في الرسم التوضيحي.



#### تجميع/تفكيك الحوامل المطابقة (انظر الشكل 1-2)

- قم بتهيئة الحوامل المطابقة 5 كما هو موضح في الشكل 1-2.
- قم بالتفكيك بتسلسل عكسي.

#### تجميع/تفكيك العجلات (انظر الشكل 3)

#### [CT36047, CT36029, CT36028]

- قم بتهيئة العجلات 2 كما هو موضح في الشكل 3.
- قم بالتفكيك بتسلسل عكسي.

#### توصيل/فصل خرطوم الهواء (انظر الشكل 4-5)

#### [CT36047, CT36046]

- قم بتهيئة مشبك الخرطوم 32 في طرف الخرطوم 31 (انظر الشكل 4.1).
- قم بتهيئة التركيبية 24.
- اربط برغي مشبك الخرطوم 32.
- عند التوصيل، اربط التركيبية 24 على تركيبية المنفذ 12 أو 15 (انظر الشكل 4.2).
- عند الفصل، فك التركيبية 24.

#### [CT36029, CT36028]

- عند التوصيل، أدخل تركيبية التغيير السريع 33 (حتى تستقر) في تركيبية المنفذ 12 أو 15 (انظر الشكل 5.1).
- عند الفصل، حرّك جلبية وصلة التغيير السريع، كما هو موضح في الشكل 5.2، وأزل تركيبية التغيير السريع 33.

#### التشغيل الأولي للجهاز

#### ملء الزيت (انظر الشكل 6-7)

تنبيه: لا تملأ الشركة المصنعة للجهاز علبه المرافق 19 بالزيت من أجل الامتثال للشروط الفنية للنقل. لذا، قبل استخدامه يُطلب ملء الجهاز بالزيت من العلامة التجارية الموصى بها. سيودي



المعنى	الرمز
لا تتخلص من الجهاز في حاوية النفايات المنزلية.	

### تخصيص الجهاز

تم تصميم الضاغط لتزويد الأدوات والأجهزة والمعدات الهوائية المختلفة بالهواء المضغوط. يسمح لك استخدام الضاغط بتوفير الطاقة الكهربائية، ومكنة العمل، وزيادة سرعة أداء العمل. توسع الأدوات الهوائية المختلفة نطاق تطبيق الضاغط بشكل كبير، مما يجعل من الممكن القيام بأعمال مثل الحفر، والأزملة، والطلاء، والغسيل الذي يتضمن رش المنظفات، وما إلى ذلك.

### مكونات الجهاز

- 1 مقبض النقل
- 2 العجلة \*
- 3 سداة تصريف الزيت
- 4 أنابيب
- 5 حامل مطاطي \*
- 6 الصندوق
- 7 الأسطوانة
- 8 سداة الصمام
- 9 مفتاح التشغيل/إيقاف التشغيل
- 10 مرحل الضغط
- 11 مقياس ضغط المستقبل
- 12 تركيبة المنفذ (الضغط غير المنتظم)
- 13 مقياس الضغط المنتظم
- 14 منظم ضغط
- 15 تركيبة منفذ (الضغط المنتظم)
- 16 صمام عدم الرجوع
- 17 المستقبل
- 18 فلتر الهواء (مجموعة)
- 19 علبة المرافق
- 20 منفذ عرض لمراقبة مستوى الزيت
- 21 صمام الأمان
- 22 صمام تصريف
- 23 زجاجة زيت \*
- 24 تركيبة \*
- 25 صامولة لتثبيت الحامل المطاطي \*
- 26 مسمار لتثبيت الحامل المطاطي \*
- 27 فلكة لتثبيت الحامل المطاطي \*
- 28 مسمار تثبيت العجلة \*
- 29 فلكة تثبيت العجلة \*
- 30 صامولة تثبيت العجلة \*
- 31 خرطوم \*
- 32 مشبك الخرطوم \*
- 33 تركيبة التغيير السريع \*
- 34 سداة \*
- 35 مبيت فلتر الهواء

المعنى	الرمز
اقرأ جميع لوائح السلامة والتعليمات.	
ارتد نظارات الحماية.	
ارتد واقيات الأذن.	
ارتد قناع الغبار.	
افصل الأداة الكهربائية عن مصدر الطاقة قبل التركيب أو الضبط.	
لا تعمل في الأمطار أو الثلج.	
اتجاه الحركة.	
اتجاه الدوران.	
مقفل.	
غير مقفل.	
زجاج حماية.	
علامة تشهد أن المنتج يتوافق مع المتطلبات الأساسية لتوجيهات الاتحاد الأوروبي ومعايير الاتحاد الأوروبي المنسقة.	
تنبيه. مهم.	
معلومات مفيدة.	

- عند أداء أي خدمة أو صيانة، اجعل الجهاز في وضع إيقاف التشغيل وافصل قابس الكهرباء من المقبس.
- قم دائماً بإيقاف تشغيل مفتاح التيار الكهربائي عند ترك الجهاز دون مراقبة.
- أسلاك التمديد غير المناسبة قد تكون خطيرة. أسلاك التمديد المعتمدة الموضح عليها ذلك وتحتوي على مقطع عرضي للأسلاك كإف هي فقط الأسلاك الممكن استخدامها في الهواء الطلق:
- طول الكابل: 1-10 م، المقطع العرضي: 1,5 مم<sup>2</sup>؛
- طول الكابل: 10-30 م، المقطع العرضي: 2,5 مم<sup>2</sup>؛
- طول الكابل: 30-50 م، المقطع العرضي: 4 مم<sup>2</sup>.
- اسحب دائماً الكابل من البكرة بكامله لتجنب اندلاع حريق بسبب ارتفاع درجة حرارة الكابل.

## تعليمات التشغيل الآمن

- فقط استخدم الجهاز على النحو المنشود. عند تشغيل الجهاز، اتبع اللوائح المحلية مع إيلاء الاعتبار الواجب لوجود أشخاص آخرين في مكان قريب.
- يُحظر تشغيل الجهاز بواسطة الأطفال. لا تسمح للأطفال بالعبث بالجهاز.
- ينبغي تشغيل الجهاز من قبل الأشخاص فقط الذين خضعوا لتدريب التشغيل ذي الصلة.
- تشغيل الجهاز من قبل أشخاص (بما في ذلك الأطفال) لديهم قدرات جسدية أو حسية أو عقلية محدودة ممنوع منعا باتاً، ما لم يتم الإشراف عليهم أو توجيههم من قبل الشخص (الأشخاص) المسؤول عن سلامتهم بشأن تشغيل الجهاز.
- حافظ على تركيزك والتأني عند إجراء أي فعل أثناء تشغيل الجهاز. لا تستخدم الجهاز إذا كنت تشعر بالتعب أو عندما تكون تحت تأثير المخدرات أو الكحول أو الأدوية. فقدان الاهتمام خلال التشغيل قد يسبب إصابات خطيرة.
- لا تقم بتشغيل الجهاز أثناء العواصف الرعدية أو الأمطار الغزيرة، وخاصة في حالة الصواعق.
- فقط استخدم الجهاز في الوضع العمودي، ولا تغطه أثناء التشغيل لضمان التهوية الكافية وتجنب ارتفاع درجة الحرارة.
- تأكد من استقرار الجهاز قبل تنفيذ أي عمليات لمنع وقوع حوادث أو تلف من جراء الانقلاب. يُحظر تماماً استخدام الجهاز على المرتفعات، على سبيل المثال، عن طريق تثبيته على سقالة أو سلم نقال أو عن طريق تعليقه.
- كن حذراً عند استخدام الجهاز. لا توجه منفث الهواء المضغوط إلى الأشخاص أو الحيوانات. استخدم معدات الوقاية الشخصية (النظارات الواقية، وقناع التنفس الصناعي، والقفازات، وما إلى ذلك).
- لا تستخدم الهواء المضغوط لتنظيف ملابسك. لا تستنشق الهواء المضغوط.
- لا تقم بتعديل التصميم بطريقة يمكن بها تجاوز الحد الأقصى للضغط المسموح به. لا تتجاوز الحد الأقصى للضغط المشغّل.
- لا تتجاوز أبداً الحد الأقصى للضغط المسموح به للمعدات التي ستكون متصلة بالجهاز.

- يجب أن يقوم بصيانة الجهاز موظفون مؤهلون باستخدام قطع الغيار الموصى بها. وهذا يضمن الحفاظ على سلامة جهازك.
- اتبع تعليمات التشحيم وتوصيات استبدال الملحقات.

## صيانة الجهاز





- لا تستخدم الجهاز في جو متفجر، على سبيل المثال، في وجود أبخرة السوائل أو الغازات القابلة للاشتعال أو جزيئات المواد القابلة للاحتراق في شكل غبار.
- لا توجه منفث الهواء المضغوط نحو الأسطح التي تحتوي على مواد صارة بالصلحة (على سبيل المثال، الأسبستوس).
- يُرجى مراعاة وزن الجهاز عند اختيار موقع لتخزينه ونقله (انظر جدول "مواصفات الجهاز") لتجنب الحوادث أو الإصابات.

## المخاطر المتبقية

- حتى إذا كنت تستخدم الجهاز وفقاً لجميع متطلبات السلامة، فلا تزال المخاطر المحتملة للإصابات والأضرار قائمة. نظراً لميزات معينة لتصميم الجهاز، قد تحدث المخاطر التالية:
- خطر الإصابة والأضرار المادية الناجمة عن الأجسام التي يطردها الهواء المضغوط؛
- الإصابات أو الأضرار المادية الناجمة عن الملحقات المعيبة أو تأثير مفاجئ من الأجسام الخفية أثناء التشغيل.

## الرموز المستخدمة في الدليل

تستخدم الرموز التالية في دليل التشغيل، يرجى تذكر معانيها. والتفسير الصحيح للرموز يسمح بالاستخدام الصحيح والآمن للجهاز.

الرمز	المعنى
	ملصق الرقم التسلسلي:
	CT ... - الطراز؛
	XX - تاريخ التصنيع؛
	XXXXXXX - الرقم التسلسلي.

- لا تستخدم الجهاز في درجات حرارة أقل من 5 درجات مئوية
- حرّك الجهاز باستخدام مقابض النقل فقط. لا تستخدم خرطوم الهواء لنقل الجهاز.
- لا تقم بنقل الجهاز أو تحريكه دون تخفيف الضغط من المستقل.
- كن حذراً عند تشغيل الجهاز، لأن بعض أجزائه يمكن أن تصبح ساخنة جداً.
- لا تستخدم مواد قابلة للاشتعال أو التآكل لتنظيف الجهاز.
- راقب حالة المستقل؛ إذا تلف المستقل أو تم الكشف عن أي تسرب للهواء، فقم بإيقاف تشغيل الجهاز فوراً وتخفيف ضغط الهواء في المستقل.
- يُحظر تماماً استخدام الجهاز مع مستقلب تالف. لا يسمح بالإصلاح والاستخدام الإضافي للمستقل - يجب استبدال المستقل التالف.
- قبل الصيانة أو الإصلاح، تأكد من فصل الجهاز عن مصدر الطاقة.
- من الضروري بعد كل استخدام تخفيف ضغط الهواء في المستقل وتصريف التكثيف منه.
- لا تقم بتشغيل الجهاز بأجهزة حماية تالفة أو مكفكة. لا تستخدم الجهاز الذي لم يتم تجهيزه بشكل صحيح أو تعرّض لتعديلات غير مصرح بها.
- تفترض عملية تشغيل الجهاز عمله المستمر دون وجود المستخدم، لذا تأكد

CT36047	CT36029	CT36028	CT36046	ضاغط الهواء
421470	421456	421449	421463	رمز الجهاز
1500 2	1500 2	1500 2	750 1	القدرة المقدره
8	8	8	6	شدة التيار عند الجهد
2800	2800	2800	2800	السرعة المقدره
50	50	25	9	سعة مستقبل الهواء
110	135	135	80	الإنتاجية
0,8 8	0,8 8	0,8 8	0,8 8	ضغط التشغيل
27,9 61.51	28 61.73	22 48.5	13,8 30.42	الوزن
				فئة الأمان
—	—	—	—	ضغط الصوت
—	—	—	—	القدرة الصوتية
—	—	—	—	الاهتزاز المرجح

بالإضافة الى احتياطات السلامة الواردة في هذه الوثيقة، التزم بأنظمة السلامة القانونية العامة والمبادئ التوجيهية لمنع الحوادث.  
لوحات التحذير ولوحات النوع على الأجهزة تحتوي على معلومات مهمة، وهي أمر ضروري للتشغيل الآمن.

#### توصيات السلامة الكهربائية

- يجب أن تتم التوصيلات الكهربائية فقط من قبل كهربائي مؤهل وفقاً لمطابنات IEC 60364-1.
- إذا لم يتوافق قابس كابل الطاقة مع المقبس المستخدم، يقوم في الخدمة بقطع القابس واستبداله بواحد مناسب. إذا كان القابس الأصلي يحتوي على جهاز حماية مدمج، ينبغي أن يحتوي القابس البديل على جهاز حماية به نفس الخصائص. يجب التخلص من القابس المقطوع لتجنب الصدمات الكهربائية، ولا ينبغي توصيله بأي مقابس.
- من الموصى به توصيل الجهاز بمقبس مجهز بقاطع دائرة 30 مللي أمبير فقط.
- لا ينبغي توصيل الجهاز بأخذ التيار المتردد الرئيسية. يجب أن يطابق الجهد البيانات على لوحة النوع.
- لا تلمس القابس أو المقبس بأيدي مبللة.
- تحقق من تضرر كابلات الكهرباء والقابس قبل التشغيل. لا تقم بتشغيل الجهاز في حالة وجود تلف بالقابس أو كابل الطاقة. تواصل مع خدمة العملاء الخاصة بنا أو مع كهربائي ماهر.
- إذا تم استخدام سلك التمديد، ينبغي أن يكون قابس الطاقة والمقبس والكابلات الكهربائية معزولة تماماً ومقاومة للرداء ومناسبة للاستخدام في الهواء الطلق.
- تأكد من أن كبل الطاقة وأسلاك التمديد لن يتضرروا من جراء التعثر بهما أو الهرس أو التمدد وما إلى ذلك. وقم بحماية الكابلات الكهربائية من الحرارة والمنتجات النفطية والأضرار الناجمة عن الحواف الحادة.

#### معلومات الضجيج

ارتد دائماً حماية للأذن إذا كان ضغط الصوت يتجاوز 85 ديسيبل.



#### إعلان التوافق CE

نعلن تحت مسؤوليتنا وحدنا أن المنتج الموصوف تحت عنوان "مواصفات الأجهزة" يتوافق مع جميع الأحكام ذات الصلة في التوجيهات 2006/42/EC، بما في ذلك التعديلات ويتوافق مع المعايير التالية: EN1012-1:2010

Wu Cunzhen

Wu Cunzhen

المدير العام

Merit Link International AG  
Stabio, Switzerland, 20.01.2018

#### إرشادات السلامة العامة

تنبيه! اقرأ هذه الإرشادات بعناية قبل استخدام الجهاز لأول مرة واتبع جميع القواعد والتوصيات المذكورة هنا. احتفظ بالتعليمات الأصلية لتكون مرجعاً في المستقبل أو للمالك المستقبلي.





• دستگاه بدمید. برای تمیز کردن دستگاه از مواد سوزاننده یا حلالها استفاده نکنید.

• برای مدل های **CT36029**، **CT36028**: المنت فیلتر **36** را با آب و صابون بشویید و کاملاً خشک کنید. توجه: از بنزین، حلالها یا مواد خوردنده برای تمیز کردن المنت فیلتر استفاده نکنید.

• برای مدل های **CT36047**، **CT36046**: المنت فیلتر **36** را با دمیدن هوای فشرده تمیز کنید.

• اگر ناخالصی های المنت فیلتر **36** خیلی سنگین است و نمی توان آنها را تمیز کرد، آن را تعویض کنید. استفاده از دستگاه بدون فیلتر هوا اکیداً ممنوع است.

• فیلتر هوا **18** را مونتاز کنید و دوباره آن را نصب کنید.

### بررسی وضعیت گیرنده

گیرنده را به صورت منظم از نظر وجود آسیب دیدگی یا خوردگی بررسی کنید. اگر گیرنده **17** آسیب دیده، تعمیرات به صورت خودسرانه (تعمیرات مکانیکی یا جوشکاری) اکیداً ممنوع است. گیرنده **17** آسیب دیده باید کاملاً در کارگاه تعمیراتی مجاز **CROWN** تعویض شود.

### خدمات پس از فروش و سرویس دستگاه

خدمات پس از فروش ما به سوالات شما در رابطه با نگهداری و تعمیر محصول شما و همچنین قطعات یدکی پاسخ می دهد. اطلاعات مربوط به مرکز خدمات، نمودار قطعات و اطلاعات مربوط به قطعات یدکی نیز در وبسایت ذیل آمده است: [www.crown-tools.com](http://www.crown-tools.com)

### حمل و نقل دستگاه

• دستگاه را فقط از قسمت دسته **1** یا بلند کردن آن و حمل از قسمت زیر دستگاه جابجا کنید. از سایر قسمت ها، دستگاه را بلند نکنید (با کشیدن شیلنگ ها یا کابل برق و غیره).

• بدون اینکه فشار گیرنده **17** را کاهش داده بایستید، اقدام به جابجایی دستگاه نکنید.

• مطلقاً هیچگونه ضربه مکانیکی به بسته بندی حین حمل و نقل وارد نشود.

• هنگام بارگیری و تخلیه بار استفاده از هرگونه تکنولوژی که بر اساس گیره بسته بندی است ممنوع می باشد.

### حفاظت زیست محیطی

توجه: روغن استفاده شده و همچنین مایع تخلیه شده از گیرنده **17** را دور نریزید، همچنین روی زمین یا داخل زمین، بسترهای آبی یا داخل فاضلاب نریزید. روغن استفاده شده باید در یک محفظه دربسته جمع آوری شود و به مرکز جمع آوری فرابند دفع زباله برای مراحل بعدی دفع منتقل شود.

مواد خام را به جای دفع به عنوان ضایعات بازیافت کنید.

دستگاه، قطعات و بسته بندی باید برای بازیافت سازگار با محیط زیست جدا شوند.

اجزای پلاستیکی برای بازیافت طبقه بندی شده برچسب دارند. این دستورالعمل ها روی کاغذ بازیافت شده ای چاپ شده اند که بدون کلر تولید شده است.

دستگاه بدمید. برای تمیز کردن دستگاه از مواد سوزاننده یا حلالها استفاده نکنید.

### تعویض روغن (شکل 6-7 را ببینید)

پس از **30** ساعت کار اولیه با دستگاه (و سپس پس از هر **150** ساعت عملیات) لازم است روغن را تعویض کنید. اگر کمپرسور بیش از **12** ماه استفاده نشده است، توصیه می شود قبل از کار کردن روغن را تعویض کنید.

توجه: اگر رنگ روغن تغییر کرد (روشن تر شد - آب وارد آن شد یا تیره تر شد - یا بیش از حد گرم شد) یا ناخالصی های خارجی در آن وجود دارد، باید بلافاصله آن را تعویض کنید.



• دستگاه را در سطح افقی و صاف قرار دهید.

• در زیر سوراخ تخلیه، یک ظرف قرار دهید که روغن استفاده شده داخل آن تخلیه شود (شکل 7.2 را ببینید).

• با استفاده از پارچه، منطقه اطراف تویی **8** را تمیز کنید و آن را باز کنید (شکل 7.1 را ببینید).

• با استفاده از پارچه، اطراف تویی **3** را تمیز کنید و آن را باز کنید و منتظر بمانید تا روغن مورد استفاده به طور کامل از سوراخ تخلیه شود. تویی **3** را ببندید (شکل 7.2 را ببینید).

• روغن را به دقت داخل محفظه میل لنگ **19** بریزید (بهتر است از یک قیف استفاده کنید). سطح روغن باید حد بالایی نقطه قرمز در دریچه نمایش سطح روغن **20** باشد (رجوع کنید به شکل 6.2). توجه: بیشتر از علامت ماکسیمم، روغن نریزید.

• تویی **8** را ببندید (شکل 7.1 را ببینید).

### تخلیه مایع (شکل 9-10 را ببینید)

بعد از هر بار استفاده از هر روز کاری، همیشه مایع را از داخل گیرنده **17** تخلیه کنید. این کار مانع خوردگی داخل گیرنده **17** می شود.

• دستگاه را در سطح افقی و صاف قرار دهید.

• در زیر شیر تخلیه **22**، یک ظرف قرار دهید که مایع داخل آن تخلیه شود.

• شیر تخلیه را باز کنید و تا زمانی که مایع به طور کامل تخلیه شود، منتظر بمانید (ریزش آب از شیر **22** متوقف خواهد شد) (شکل 9-10 را ببینید).

• شیر تخلیه را ببندید.

### تمیز کردن فیلتر هوا (شکل 11-12 را ببینید)

به طور منظم المنت فیلتر **36** فیلتر هوا **18** را بررسی کنید (الودگی آن به شرایط محیط بستگی دارد). المنت فیلتر را حداقل پس از **100** ساعت استفاده از دستگاه تمیز (تعویض) کنید چون کثیف می شود. فیلتر هوای کثیف، فاکتور بهره وری را کاهش می دهد و تا حد زیادی باعث استهلاک دستگاه می شود.

• دستگاه را در سطح افقی و صاف قرار دهید.

• باز کردن فیلتر **18** (شکل 11-12 را ببینید).

• پوشش **37** را از روی محفظه **35** بردارید.

• المنت فیلتر **36** را بردارید.



تولید کننده مسئولیت احتمال انجام تغییرات را بر عهده می گیرد.

- کابل برق و وضعیت سیم سیار را بررسی کنید؛ در صورت شناسایی هرگونه صدمه، کابل باید تعویض شود؛
- شرایط شیلنگ هوا را بررسی کنید؛ اگر آسیب دیده است، آن را تعویض کنید.

**توجه:** طراحی دستگاه به شما اجازه می دهد که فشار هوای فشرده را فقط در محل اتصالات 15 تنظیم کنید. فشار در قسمت محل اتصالات 12 با فشار داخل گیرنده 17 برابر است (فشار داخل گیرنده 17 توسط فشارسنج 11 نشان داده می شود).



## روشن / خاموش کردن دستگاه

قبل از اتصال دستگاه به برق، اطمینان حاصل کنید که سوییچ روشن / خاموش در 9 وضعیت پایین قرار دارد (Off).

**روشن کردن:**

کلید روشن / خاموش 9 را به سمت بالا حرکت دهید (شکل 8.1 را ببینید).

**خاموش کردن:**

کلید روشن / خاموش 9 را به سمت پایین حرکت دهید (شکل 8.2 را ببینید).

## توصیه های مربوط به اجرای دستگاه

قبل از شروع به کار

- دستگاه را روی سطح افقی مسطح قرار دهید (شیب مجاز کمتر از 15 درجه است)؛ این امر روانکاری صحیح قطعات را تضمین می کند.
- ابزارهای بادی را به دستگاه وصل کنید.
- دستگاه را به منبع برق وصل کنید.
- برای مدل های CT36046 و CT36047 - شیر را در محل اتصالات 12 یا 15 (بسته به اینکه ابزار بادی به کدام یک از آنها متصل است) باز کنید.
- هنگام انجام کارهایی که در آنها با اسپری کردن مایعات سر و کار دارید، اطمینان حاصل کنید که هیچ مایعی روی دستگاه نریزد.
- اگر لازم است دستگاه را در طول عملیات جابجا کنید، آن را از برق جدا کنید و فشار گیرنده 17 را کاهش داده و سپس آن را جابجا کنید.
- در صورت وجود هر گونه صدای جانی یا ارتعاشات شدید در قسمت هایی از دستگاه، فوراً آن را خاموش کنید و با مرکز خدمات CROWN تماس بگیرید.

## توصیه های کلی

- دستگاه را روشن کنید.
- با استفاده از رگلاتور فشار 14 فشار لازم برای عملیات را تنظیم کنید.
- از دستگاه بیش از حد تحت کار نکشید. حالت عملیاتی دستگاه به صورت متناوب با ضریب منت زمانی چرخه تا 55 درصد است، در حالی که مدت یک چرخه 6-10 دقیقه است. می توانید دستگاه را به صورت مداوم به مدت 15 دقیقه به کار بیندازید، اما بیش از یک بار در مدت زمان 1.5 ساعت این کار را تکرار نکنید.
- هنگام استفاده از دستگاه، سطح روغن را در محفظه میل لنگ 19 بررسی کنید و در صورت لزوم روغن به آن اضافه کنید.

## بعد از اتمام عملیات

- دستگاه را خاموش کنید.
- دستگاه را از منبع برق جدا کنید.
- با کشیدن حلقه شیر ایمنی 21 فشار گیرنده 17 را کم کنید.
- مایع را از داخل گیرنده 17 به طریقی که در زیر توضیح داده شده است، تخلیه کنید.

## اقدامات پیشگیرانه / نگهداری دستگاه

قبل از هر عملیاتی اطمینان حاصل کنید که دستگاه را خاموش کرده اید، کابل حامل جریان را از سوکت خارج کرده اید و فشار هوا را در گیرنده 17 تخلیه کرده اید (با کشیدن حلقه شیر ایمنی 21).

## تمیز کردن دستگاه

لازم است هر چند وقت یکبار سطح خارجی دستگاه را با یک برس نرم و دستمال تمیز کنید و با استفاده از هوای فشرده داخل قسمت های مختلف

پس از روشن کردن، دستگاه در حالت چرخه ای کار می کند: رله فشار 10 مقدار فشار ثابتی را در گیرنده 17 حفظ می کند، بسته به میزان مصرف هوای فشرده توسط ابزارهای بادی متصل شده، دستگاه را روشن / خاموش می کند. هنگامی که دستگاه روشن می شود، هوا از طریق فیلتر هوا 18 مکیده می شود و از طریق لوله ها 4 به گیرنده 17 تزریق می شود. هنگامی که حداکثر مقدار فشار (مقدار این پارامتر در کارخانه تعیین می شود) حاصل شد، رله فشار 10 فعال می شود و موتور الکتریکی خاموش می شود. هوای اضافی از لوله ها 4 و سیلندر 7 از طریق شیر تخلیه می شود. بنابراین، فشار اضافی در سیلندر 7 و لوله ها 4 وجود ندارد - این باعث می شود پار در موتور الکتریکی در زمان بعدی که دستگاه شروع به کار می کند کاهش یابد. اگر فشار داخل گیرنده 17 به حداقل مقدار برسد، موتور الکتریکی شروع به کار می کند و دستگاه شروع به پمپاژ هوا در گیرنده 17 می کند تا فشار به حداکثر مقدار آن برسد. دستگاه در این حالت تا زمانی که سوییچ روشن / خاموش 9 در موقعیت بالا قرار دارد ("On") کار می کند. اگر دستگاه هنگامی که فشار به حداکثر رسیده، به طور خودکار خاموش نشود، فشار اضافی از طریق شیر ایمنی 21 تخلیه می شود. در این مورد لازم است که بلافاصله با یک کارگاه تعمیرات تخصصی CROWN تماس بگیرید.

## حفاظت حرارتی

حفاظت حرارتی از خسارت به دستگاه جلوگیری می کند، در زمان بارگیری بیش از حد و داغ شدن بیش از حد آن را خاموش می کند. به عنوان مثال، هنگام استفاده از ابزارهای بادی که مصرف هوا در آنها بیش از ظرفیت دستگاه است، با زمانی که المنت فیلتر 36 مسدود شده است، و غیره. این کار موتور الکتریکی را در برابر اضافه بار محافظت می کند. هنگامی که حفاظت حرارتی فعال می شود، دستگاه را از برق جدا کنید، علتی را که باعث تحریک سیستم حفاظت شده، از بین ببرید و اجازه دهید دستگاه خنک شود، و سپس به کار خود ادامه دهید.

## تنظیم فشار (شکل 8 را ببینید)

رگلاتور فشار 14 به شما امکان می دهد فشار هوای فشرده را در محل اتصالات 15 به گونه ای که ممکن است لازم باشد تنظیم کنید.

- فشارسنج 13 میزان فشار تنظیم شده را نشان می دهد.
- برای افزایش فشار، دستگیره رگلاتور فشار 14 را در جهت عکس عقربه های ساعت بچرخانید (شکل 8 را ببینید).

- 20 درپچه نمایش سطح روغن
- 21 درپچه ایمنی
- 22 درپچه تخلیه
- 23 بطری روغن \*
- 24 اتصالات \*
- 25 مهره نصب مانت لاستیکی \*
- 26 پیچ نصب مانت لاستیکی \*
- 27 واشر برای نصب مانت لاستیکی \*
- 28 گل میخ نصب کننده چرخ \*
- 29 واشر نصب کننده چرخ \*
- 30 مهره نصب کننده چرخ \*
- 31 شیلنگ \*
- 32 گیره شیلنگ \*
- 33 اتصالات تغییر سریع \*
- 34 توپی \*
- 35 محفظه فیلتر هوا
- 36 المنت فیلتر
- 37 پوشش فیلتر هوا

### [CT36029, CT36028]

- پیچ گیره شیلنگ 32 را سفت کنید.
- وقتی متصل شدید، اتصالات 24 را از روی محل اتصال 12 یا 15 محکم کنید (شکل 4.2 را ببینید).
- در هنگام قطع اتصال، اتصالات 24 را قطع کنید.

- موقع اتصال، اتصالات تغییر سریع 33 را (تا هنگامی که با صدای کلیک محکم شود) به داخل محل اتصالات وصل کنید (شکل 5.1 را ببینید).
- در هنگام قطع اتصال همانطور که در شکل 5.2 نشان داده شده است، بوش اتصال تغییر سریع را جابجا کنید و اتصالات تغییر سریع 33 را حذف کنید.

### اجرای اولیه دستگاه

پُر کردن روغن (شکل 6-7 را ببینید)

توجه: سازنده دستگاه محفظه میل لنگ را 19 را با روغن پر نمی کند تا با شرایط فنی حمل و نقل سازگار باشد. بنابراین، قبل از استفاده، لازم است دستگاه را با روغنی از یک برند تجاری توصیه شده پر کنید. عملکرد دستگاه بدون روغن در محفظه میل لنگ 19 یا با سطح روغن کمتر از حداقل باعث وارد آمدن خسارت به دستگاه می شود؛ در این صورت شما حق گارانتی خدمات تعمیر را از دست خواهید داد.



- دستگاه را روی یک سطح افقی صاف قرار دهید.
- قسمتی از اطراف حفره روغن را با یک پارچه تمیز کنید و توپی 34 بردارید (رجوع کنید به شکل 6.1).
- روغن را به دقت داخل محفظه میل لنگ 19 بریزید (بهتر است از یک قیف استفاده کنید). سطح روغن باید حد بالایی نقطه قرمز در درپچه نمایش سطح روغن 20 باشد (رجوع کنید به شکل 6.2). 5 دقیقه صبر کنید و سپس سطح روغن را دوباره بررسی کنید، در صورت لزوم تا بالای علامت حداکثر روغن را پُر کنید. توجه: بیشتر از علامت حداکثر سطح، روغن نریزید.

- توپی 8 را همانطور که در شکل 7.1 نشان داده شده است، نصب کنید. توجه: توپی 8 دارای یک شیر مخصوص است که مانع از افزایش فشار داخل محفظه میل لنگ 19 می شود. تعویض توپی 8 با توپی 34 یا سایر اشیاء اکیدا ممنوع است.
- برای اطمینان از توزیع یکنواخت روغن در محفظه میل لنگ 19 در اولین راه اندازی و بعد از مدت زمان طولانی بیکار بودن دستگاه، بهتر است اجازه دهید دستگاه بدون بار به مدت 5 دقیقه کار کند. برای انجام این کار، درپچه تخلیه 22 را (مثل زمانی که مایع را تخلیه می کنید، توضیحات زیر را ببینید) شل کنید و همچنین از قسمت حلقه شیر ایمنی 21 آن را بکشید و نگه دارید سپس دستگاه را روشن کنید.

برای پُر کردن مجدد از روغن تعبیه شده به همراه دستگاه استفاده کنید. همچنین می توانید از روغن موتور- SAE30 (اگر دستگاه در دمای بیش از 10 درجه سانتیگراد مورد استفاده قرار می گیرد) یا SAE10 (اگر دستگاه در دمای کمتر از 10 درجه سانتیگراد مورد استفاده قرار می گیرد) استفاده کنید. روغن های دارای درجه های مختلف را با هم مخلوط نکنید.



پیش از اجرای دستگاه

### [CT36047, CT36029, CT36028]

- چرخ ها 2 را به صورت نشان داده شده در شکل 3 نصب کنید.
- با اجرای مراحل به صورت برعکس می توانید چرخ ها را باز کنید.

متصل کردن / جدا کردن شیلنگ هوا (شکل 4-5 را ببینید)

### [CT36047, CT36046]

- گیره شیلنگ 32 را به انتهای شیلنگ 31 متصل کنید (شکل 4.1 را ببینید).
- اتصالات 24 را نصب کنید.

\* قطعات یدکی اختیاری

تمامی قطعات یدکی شرح داده شده یا توصیف شده در تحویل دستگاه استاندارد ارائه نمی شوند.

### نصب و مقررات عوامل دستگاه

قبل از هر عملیاتی اطمینان حاصل کنید که دستگاه را خاموش کرده اید، کابل حامل جریان را از سوکت خارج کرده اید و فشار هوا را در گیرنده 17 تخلیه کرده اید (با کشیدن حلقه شیر ایمنی 21).

قطعات چفت را بسیار محکم نکشید تا به شیر داخل پیچ صدمه وارد نشود.



سوار کردن / پیاده کردن / راه اندازی برخی از عوامل برای تمامی مدل های دستگاه یکسان است، در این مورد مدل های ویژه در توضیحات مشخص نشده است.



مونتاز / جداسازی مانت های لاستیکی (شکل 1-2 را ببینید)


- مانت های لاستیکی 5 را به صورت نشان داده شده در شکل 1-2 نصب کنید.
- برای جدا کردن قطعات مراحل را به صورت برعکس اجرا کنید.


مونتاز / جداسازی چرخ ها (شکل 3 را ببینید)

## علائم مورد استفاده در کتابچه راهنما


علائم ذیل در کتابچه راهنمای اجرای دستگاه به کار رفته اند، لطفاً مهنای آنها را به یاد نگه دارید. تفسیر صحیح علائم امکان استفاده صحیح و ایمن از دستگاه را فراهم می کنند.

علائم	معنا
I	کلاس محافظت.

	علامتی که تأیید می کند محصول با مقررات اساسی قوانین اتحادیه اروپا و استانداردهای هماهنگی اتحادیه اروپا مطابقت دارد.
---	---

	توجه مهم.
---	-----------

	اطلاعات مفید.
---	---------------




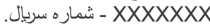
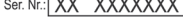
	دستگاه را در محفظه زباله خانگی دفع نکنید.
---	---


### خصوصیات دستگاه

کمپرسور برای تأمین هوای پر فشار برای برخی ابزارهای بادی، دستگاه ها و لوازم طراحی شده است. استفاده از کمپرسور به شما این امکان را می دهد تا در مصرف برق صرفه جویی کنید، کار را مکانیزه کنید و سرعت عملکرد کار را افزایش دهید. ابزارهای بادی مختلف به طور قابل توجهی دامنه کاربرد کمپرسور را وسیع تر می کنند، که کارهایی مانند دریل کردن، سوت زدن، پمپاژ کردن، نقاشی کردن و شستن را که شامل اسپری کردن مواد شوینده و غیره است، ممکن می سازد.

### اجزای دستگاه


- 1 دسته مخصوص جابجایی
- 2 چرخ \*
- 3 شیر تخلیه روغن
- 4 لوله ها
- 5 مانت لاستیکی \*
- 6 محفظه
- 7 سیلندر
- 8 شیر سماوری
- 9 دکمه خاموش/ روشن
- 10 رله فشار (فشارسنج)
- 11 فشارسنج گیرنده
- 12 اتصالات خروجی (فشار نامنظم)
- 13 فشارسنج فشار منظم
- 14 رگلاتور فشار
- 15 اتصالات خروجی (فشار منظم)
- 16 شیر بررسی
- 17 گیرنده
- 18 فیلتر هوا (مونتاژ)
- 19 محفظه میل لنگ


علائم	معنا
	برچسب شماره سریال:
	CT ... مدل؛
	XX - تاریخ تولید؛
	XXXXXXX - شماره سریال.
	Ser. Nr.: XX XXXXXXXX

	تمامی قوانین ایمنی و دستورالعمل ها را مطالعه کنید.
--	--


	عینک ایمنی بپوشید.
--	--------------------


	از محافظ گوش استفاده کنید.
--	----------------------------


	از ماسک ضد گرد و غبار استفاده کنید.
--	-------------------------------------


	قبل از نصب یا تنظیم ابزار شارژی، اتصال آن را از برق جدا کنید.
---	---

	در برف یا باران کار نکنید.
--	----------------------------

	جهت حرکت.
--	-----------

	جهت چرخش.
--	-----------

	قفل شد.
---	---------

	قفل باز شد.
---	-------------

- هنگام انجام هرگونه خدمات یا نگهداری، دستگاه را خاموش کنید و دوشاخه برق را از پریز بکشید.
- همیشه هنگامی که دستگاه را بدون مراقبت می‌گذارید، کلید اتصال به برق شهری را قطع کنید.
- سیم سیار نامناسب می‌تواند موجب صدمه شود. تنها از سیم‌های سیار مورد تأیید برای استفاده و مناسب برای فضای باز استفاده کنید که دارای مقطع کافی هستند.
- طول کابل: 1-10 متر، مقطع: 1,5 میلی‌متر<sup>2</sup>؛
- طول کابل: 10-30 متر، مقطع: 2,5 میلی‌متر<sup>2</sup>؛
- طول کابل: 30-50 متر، مقطع: 4 میلی‌متر<sup>2</sup>.
- همیشه کابل را به طور کامل از حلقه خارج کنید تا از رخداد حریق به دلیل گرمای بیش از حد کابل جلوگیری شود.

## دستورالعمل‌های اجرای ایمن

- دستگاه را تنها به اهداف موردنظر استفاده کنید. هنگام اجرای دستگاه، قوانین محلی یا توجه به حقوق دیگر افراد در نزدیکی را رعایت کنید.
- اجرای دستگاه توسط کودکان اکیداً ممنوع است. به کودکان اجازه بازی با دستگاه را ندهید.
- دستگاه تنها باید توسط افرادی استفاده شود که آموزش‌های مربوطه برای اجرا را فرا گرفته باشند.
- اجرای دستگاه توسط افرادی با محدودیت بدنی (مانند کودکان)، حساس یا دچار مشکل ذهنی اکیداً ممنوع است، مگر اینکه تحت نظارت باشند یا توسط افراد مسئول ایمنی خود آموزش کار با دستگاه را دیده باشند یا نظارت شوند.
- هنگام اجرای دستگاه به تمامی اتفاقات دقت داشته و هوشیار باشید. در صورت احساس خستگی یا تحت تأثیر مواد، دارو و الکل از دستگاه استفاده نکنید. عدم توجه حین اجرای دستگاه موجب صدمات جدی می‌شود.
- حین طوفان یا باران شدید، به ویژه در صورت رعد و برق دستگاه را روشن نکنید.
- تنها در وضعیت عمودی از دستگاه استفاده کنید، حین اجرای دستگاه برای جلوگیری از گرم شدن شدید یا اطمینان از تهویه کافی روی آن را نپوشانید.
- قبل از انجام هر گونه عملیات از ثابت بودن دستگاه مطمئن شوید تا از هر گونه حادثه یا خسارت ناشی از افتادن دستگاه پیشگیری کنید. استفاده از دستگاه در مکان‌های مرتفع، به عنوان مثال نصب آن روی داربست یا نزدیکی با آویزان کردن دستگاه اکیداً ممنوع است.
- در هنگام استفاده از دستگاه بسیار مراقب باشید. هرگز جت‌های پرفشار را به سمت افراد یا حیوانات نگیرید. از تجهیزات محافظت شخصی استفاده کنید (عینک ایمنی، ماسک تنفسی، دستکش و غیره).
- از هوای فشرده برای تمیز کردن لباس‌ها استفاده نکنید. هوای پرفشار را تنفس نکنید.
- طراحی دستگاه را به گونه‌ای تغییر ندهید که از حداکثر فشار هوای مجاز تجاوز کند. از حداکثر فشار عملکردی تجاوز نکنید.
- هرگز از حداکثر فشار مجاز برای تجهیزاتی که به دستگاه متصل می‌شوند، تجاوز نکنید.
- از دستگاه در دماهای کمتر از 5 درجه سانتیگراد استفاده نکنید.
- فقط با استفاده از دسته‌های مخصوص جابجایی ابزار را حرکت دهید. هرگز برای حرکت دادن دستگاه شیلنگ هوا را نکشید.
- همیشه قبل از جابجایی دستگاه، میزان فشار را از گیرنده کم کنید.
- در هنگام استفاده از دستگاه بسیار مراقب باشید چون برخی قطعات آن ممکن است بسیار داغ شوند.
- برای تمیز کردن دستگاه از مواد اشتعال‌زا یا ساینده استفاده نکنید.
- همیشه مراقب وضعیت گیرنده باشید؛ اگر گیرنده خراب شود یا متوجه نشد هوا در آن شدید، فوراً دستگاه را خاموش کنید و فشار هوا را در کمپرسور کم کنید.

- استفاده از دستگاه در حالیکه گیرنده آن آسیب دیده است، ممنوع است. تعمیر و استفاده مجدد از دستگاه مجاز نیست - گیرنده آسیب دیده باید تعویض شود.
- قبل از نگهداری و تعمیر، اطمینان حاصل کنید که دستگاه از منبع برق جدا شده باشد.
- بعد از هر استفاده، لازم است که فشار هوا را در گیرنده کم کنید و رسوب را تخلیه کنید.
- دستگاه را در حالیکه دستگاه‌های حفاظتی آن آسیب دیده یا جدا شده است، روشن نکنید. هرگز از دستگاهی که به درستی تجهیز نشده یا تغییرات غیر مجاز در آن داده شده استفاده نکنید.
- دستگاه بدون حضور کاربر به کار خود ادامه می‌دهد، بنابراین اطمینان حاصل کنید که دستگاه از مواد اشتعال‌زا به دور باشد و هیچ فاکتور خارجی مانع خنک شدن طبیعی آن نشود (حداقل فاصله از هر گونه شیء یا دیوار تا دستگاه باید 50 سانتیمتر باشد).
- استفاده از دستگاه در مکان‌های دارای گرد و غبار و همچنین در مکان‌هایی که گازهای اشتعال‌زا و بخارات مواد آتشگیر در آنجا وجود دارد، ممنوع است.
- این دستگاه فقط برای فشرده سازی هوا طراحی شده است، از آن برای اهداف دیگر استفاده نکنید.
- از هوای فشرده شده توسط این دستگاه برای مصارف پزشکی و دارویی استفاده نکنید.
- این دستگاه‌ها برای پُر کردن کیپسول‌های غواصی مناسب نیستند.
- با دست‌های خیس به دستگاه در حال کار دست نزنید.
- استفاده از دستگاه برای اهداف مختلف (باد کردن، ابزارهای بادی و دستگاه‌هایی که از انرژی هوای فشرده استفاده می‌کنند، رنگ کردن، شستن، و غیره) مستلزم این است که کاربر از قوانین امنیتی در خصوص هر گونه کاربری خاص مطلع باشد.
- پس از اتمام عملیات صبر کنید تا دستگاه خنک شود و فقط بعد از آن می‌توانید آن را ببوشانید یا پوش محافظ را روی آن بگذارید.

## سایر خطرات

- از دستگاه در محیط‌های قابل انفجار، برای مثال در حضور بخارات و مایعات یا گازهای قابل اشتعال، ذرات یا مواد قابل احتراق به شکل گرد و غبار استفاده نکنید.
- جت‌های فشرده را روی سطوحی که حاوی ذرات مضر برای سلامتی هستند (برای مثال آبرفت) نگیرید.
- در هنگام انتخاب مکان برای نگهداری و انتقال (به قسمت "مشخصات دستگاه" رجوع کنید) وزن دستگاه را مد نظر داشته باشید تا از حادثه و آسیب پیشگیری شود.

## تعمیر و نگهداری محصول

- تعمیرات دستگاه شما باید توسط افراد ذیصلاح و با استفاده از قطعات یدکی توصیه شده صورت گیرد. این امر تداوم ایمنی دستگاه شما را تضمین می‌کند.
- از دستورالعمل‌های روانکاری و توصیه‌های گفته شده برای تعویض لوازم جانبی پیروی کنید.

## خطرات مربوط به رسوبات

- حتی اگر از دستگاه مطابق با تمامی شرایط امنیتی استفاده می‌کنید، باز هم خطر آسیب و جراحت همچنان وجود دارد. به دلیل ویژگی‌های خاص طراحی دستگاه، خطرات زیر ممکن است رخ دهد:
- خطر آسیب به مواد و جراحت در اثر پرت شدن اشیاء ناشی از فشار هوا؛
- جراحت‌ها یا آسیب‌های فیزیکی ناشی از لوازم جانبی خراب یا ضربه‌ناگهانی ناشی از اشیاء پنهان در حین کار.

## مشخصات دستگاه

CT36047	CT36029	CT36028	CT36046	کمپرسور هوا
421470	421456	421449	421463	کد دستگاه [220 تا 240 ولت ~ 60/50 هرتز]
1500 2	1500 2	1500 2	750 1	توان اسمی [وات] [اسب بخار]
8	8	8	6	شدت جریان برق در ولتاژ 220 - 230 ولت [آمپر]
2800	2800	2800	2800	سرعت نامی [دور در دقیقه]
50	50	25	9	ظرفیت گیرنده هوا [لیتر]
110	135	135	80	بهره وری [لیتر / دقیقه]
0,8 8	0,8 8	0,8 8	0,8 8	فشار عملکردی [مگا پاسکال] [بار]
27,9 61.51	28 61.73	22 48.5	13,8 30.42	وزن [کیلوگرم] [پوند]
				کلاس ایمنی
—	—	—	—	فشار صدا [دسی بل (آمپر)]
—	—	—	—	قدرت صوتی [دسی بل (آمپر)]
—	—	—	—	ارتعاش وزنی [متر/مجدور ثانیه]

صفحات احتیاط و نوع دستگاه روی آن محتوی اطلاعاتی مهم و ضروری برای اجرای ایمنی دستگاه هستند.

### توصیه های ایمنی برقی

- اتصالات برقی تنها باید توسط برقکار دارای صلاحیت بر طبق مقررات IEC 60364 انجام شود.
- اگر دوشاخه کابل برق با پریز مورد استفاده همخوانی نداشته باشد، تکنسین خدمات باید دوشاخه را برد و با یک دوشاخه مناسب آن را تعویض کند. اگر دوشاخه اصلی دارای دستگاه محافظت داخلی است، دوشاخه تعویض باید دستگاه محافظ با همان ویژگی ها را داشته باشد. دوشاخه قطع اتصال باید برای جلوگیری از شوک الکتریکی دور انداخته شود و به هیچ پریزی متصل نشود.
- توصیه می شود که دستگاه تنها به پریزی مجهز به مدارشکن mA 30 متصل شود.
- دستگاه تنها باید به برق شهری AC متصل شود. ولتاژ باید با اطلاعات روی صفحه نوع دستگاه همخوانی داشته باشد.
- با دست های خیس دوشاخه یا پریز را لمس نکنید.
- کابل برق و دوشاخه را پیش از راه اندازی برای وجود صدمات بررسی کنید. در صورت صدمه به کابل برق یا دوشاخه دستگاه را راه اندازی نکنید. با خدمات مشتریان ما یا برقکار بامهارت تماس بگیرید.
- در صورت استفاده از سیم سیار، دوشاخه برق آن، پریز، و کابل برق باید به طور کامل پوشانیده شده، محافظت شده در برابر پاشیدن مایعات و مناسب برای استفاده در محیط باز باشد.
- مطمئن شوید که کابل برق و سیم سیار با بردن از روی آن، کشیدگی، له شدگی و غیره صدمه ندیده باشد. از کابل برق در مقابل گرما، مواد روغنی و صدمات لبه های تیز محافظت کنید.

## اطلاعات سروصدا

در صورتی که فشار صدا بیش از 85 dB(A) بود همیشه از محافظ گوش استفاده کنید.



## بیانیه مطابقت CE

اعلام می کنیم که تنها مسئولیت ما که تحت "مشخصات دستگاه" تعریف شده است با تمامی شروط مربوطه از قوانین 2006/42/EC شامل موارد ذیل مطابقت دارد: EN1012-1:2010

Wu Cunzhen

Wu Cunzhen

مدیر عامل

Merit Link International AG  
Stabio, Switzerland, 20.01.2018

## دستورالعمل های عمومی ایمنی

توجه! این دستورالعمل ها را به دقت پیش از استفاده از دستگاه برای اولین بار مطالعه کنید و تمامی قوانین و توصیه های شرح داده شده در اینجا را دنبال کنید. دستورالعمل های اصلی را برای مالک آینده یا مراجعات بعدی نگهداری کنید.



علاوه بر احتیاط های ایمنی موجود در اینجا، قوانین ایمنی قانونی عمومی و دستورالعمل های پیشگیری از صدمات را رعایت کنید.









